

Technical Support Center: Optimizing Aspinonene Concentration for Bioassays

Author: BenchChem Technical Support Team. **Date:** April 2026

Compound of Interest

Compound Name: *Aspinonene*

Cat. No.: *B8260393*

[Get Quote](#)

This technical support center provides researchers, scientists, and drug development professionals with comprehensive troubleshooting guides and frequently asked questions (FAQs) to optimize the use of **Aspinonene** in bioassays.

Frequently Asked Questions (FAQs)

Q1: What is the recommended starting concentration range for **Aspinonene** in a new bioassay?

A1: For a novel compound like **Aspinonene**, it is advisable to start with a broad concentration range to determine its potency and potential cytotoxicity. A common starting point is a serial dilution from 100 μM down to 1 nM.[1] This wide range helps in identifying the effective concentration window for your specific cell line and assay.

Q2: How should I prepare the stock solution of **Aspinonene**?

A2: **Aspinonene** is a small molecule that may have limited aqueous solubility.[2][3] It is recommended to prepare a high-concentration stock solution in a suitable organic solvent, such as dimethyl sulfoxide (DMSO).[1] Ensure the final concentration of the solvent in your cell culture medium is kept low (typically below 0.5%) to avoid solvent-induced toxicity.[4]

Q3: My **Aspinonene** solution is precipitating in the cell culture medium. What should I do?

A3: Compound precipitation in the media is a common issue that can lead to inaccurate and irreproducible results.[5][6] Here are several troubleshooting steps:

- Lower the final concentration: The most straightforward solution is to test lower concentrations of **Aspinonene**.
- Optimize the solvent concentration: While keeping the final DMSO concentration below 0.5% is a general guideline, you may need to determine the maximum tolerable DMSO concentration for your specific cell line.[7]
- Pre-warm the media: Always add the **Aspinonene** stock solution to pre-warmed (37°C) cell culture medium to minimize precipitation caused by temperature changes.[6][8]
- Gentle mixing: When preparing the final working solution, add the **Aspinonene** stock to the medium while gently vortexing to ensure rapid and uniform dispersion.[6]
- Solubility testing: Perform a solubility test in your specific cell culture medium before proceeding with cellular assays. This can be done by preparing serial dilutions and visually inspecting for precipitation after incubation.[6]

Q4: How long should I expose the cells to **Aspinonene**?

A4: The optimal exposure time depends on the compound's mechanism of action and the biological endpoint being measured.[4] It is recommended to perform a time-course experiment, for example, testing at 24, 48, and 72 hours, to determine the ideal duration for observing the desired effect.[4]

Q5: I am not observing any significant biological effect. What could be the reason?

A5: If **Aspinonene** does not show activity, consider the following:

- Concentration range: You may need to test a higher concentration range if the compound has low potency.

- Cell line sensitivity: The chosen cell line may not be sensitive to **Aspinonene**. It may be beneficial to test the compound on a panel of different cell lines.[\[4\]](#)
- Incubation time: The biological effect may take longer to manifest. Try increasing the incubation time.[\[4\]](#)
- Compound stability: Ensure that **Aspinonene** is stable in your assay conditions for the duration of the experiment.

Q6: I am observing excessive cell death even at low concentrations. What should I do?

A6: If **Aspinonene** is highly cytotoxic, the following adjustments can be made:

- Use a lower concentration range: Shift your dose-response curve to a lower concentration range (e.g., nanomolar or picomolar).[\[4\]](#)
- Reduce incubation time: A shorter exposure time might reveal a therapeutic window before significant cytotoxicity occurs.[\[4\]](#)
- Check solvent toxicity: Ensure that the solvent concentration is not contributing to cell death by including a vehicle-only control.[\[4\]](#)

Troubleshooting Guide

This guide addresses specific issues that may arise during your experiments with **Aspinonene**.

Issue	Possible Cause	Recommended Solution
High variability between replicate wells	Inconsistent cell seeding, uneven compound distribution, or "edge effects" in the microplate.[4]	Ensure thorough mixing of the cell suspension before seeding. Mix the compound solution well before adding it to the wells. To minimize edge effects, avoid using the outer wells of the plate or fill them with sterile phosphate-buffered saline (PBS) to maintain humidity.[4]
Compound precipitation observed during experiment	The concentration of Aspinonene exceeds its solubility in the cell culture medium.[6]	Determine the maximum soluble concentration of Aspinonene in your specific medium. Prepare a fresh dilution series and visually inspect for precipitation. Consider using a lower starting concentration.[6]
No dose-response relationship observed	The concentration range tested is too narrow or not in the active range for the specific cell line. The compound may be inactive in the chosen assay.	Test a wider concentration range (e.g., logarithmic dilutions from 1 nM to 100 μ M). [1] Verify the compound's activity in a different, potentially more sensitive, cell line.
Inconsistent results between experiments	Variations in cell passage number, cell density, incubation time, or reagent preparation.	Standardize your experimental protocol. Use cells within a consistent passage number range, ensure consistent cell seeding density, and use the same incubation times. Prepare fresh reagents for each experiment.

Quantitative Data Summary

The following tables present hypothetical data for **Aspinonene** to serve as a guideline for experimental design and data interpretation.

Table 1: Hypothetical IC50 Values for **Aspinonene** in Various Cancer Cell Lines (72-hour incubation)

Cell Line	Cancer Type	IC50 (μM)
A549	Lung Carcinoma	15.2
MCF-7	Breast Adenocarcinoma	25.8
HepG2	Hepatocellular Carcinoma	12.5
HCT116	Colon Carcinoma	30.1

Table 2: Hypothetical EC50 Values for **Aspinonene** in an Anti-inflammatory Assay (24-hour incubation)

Assay Type	Cell Line	Biomarker Measured	EC50 (μM)
Nitric Oxide Inhibition	RAW 264.7	Nitric Oxide (NO)	8.7
Cytokine Suppression	THP-1	TNF- α	10.3

Experimental Protocols

Protocol 1: Determining the Cytotoxicity (IC50) of Aspinonene using an MTT Assay

This protocol assesses the cytotoxic effects of a compound on a cell line.[\[4\]](#)

- Cell Seeding: Seed cells in a 96-well plate at a density of 5,000-10,000 cells per well and allow them to adhere overnight.[\[4\]](#)

- **Compound Preparation:** Prepare a 10 mM stock solution of **Aspinonene** in DMSO. Perform a serial dilution in culture medium to create a range of concentrations (e.g., 0.1, 1, 10, 50, 100 μ M).
- **Cell Treatment:** Remove the old medium and add 100 μ L of the medium containing the different **Aspinonene** concentrations to the respective wells. Include a vehicle control (medium with DMSO only).[4]
- **Incubation:** Incubate the plate for the desired time (e.g., 24, 48, or 72 hours) at 37°C in a humidified incubator with 5% CO₂.[4]
- **MTT Addition:** Add 10 μ L of MTT reagent (5 mg/mL in PBS) to each well and incubate for 3-4 hours.[4]
- **Formazan Solubilization:** Remove the medium and add 100 μ L of DMSO to each well to dissolve the formazan crystals.[4]
- **Absorbance Measurement:** Measure the absorbance at 570 nm using a microplate reader.[4]
- **Data Analysis:** Calculate the percentage of cell viability relative to the vehicle control and plot it against the logarithm of the **Aspinonene** concentration to determine the IC₅₀ value using non-linear regression.

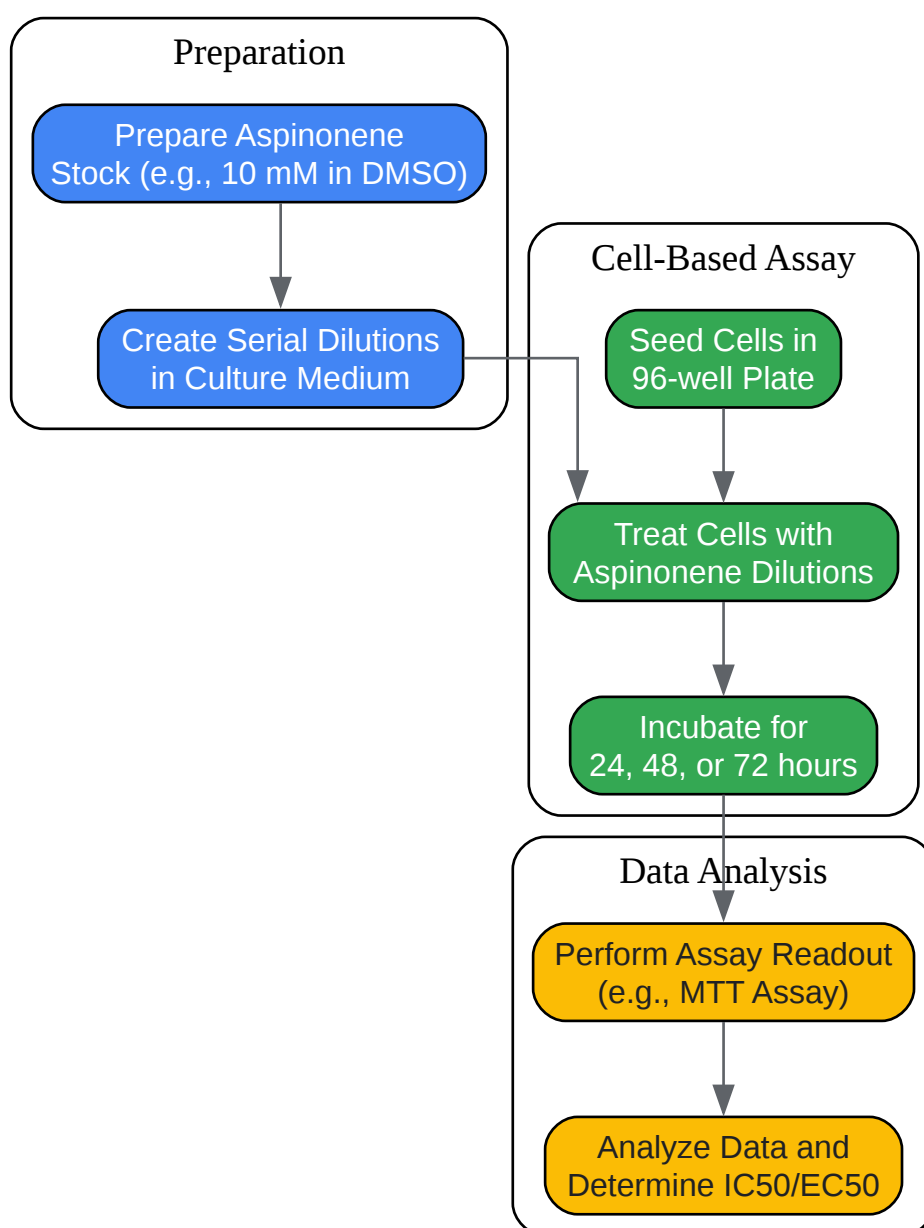
Protocol 2: Determining the Maximum Soluble Concentration of Aspinonene

This protocol helps to determine the highest concentration of **Aspinonene** that can be used in your cell culture medium without precipitation.[6]

- **Prepare Serial Dilutions:** Prepare a 2-fold serial dilution of a high-concentration **Aspinonene** stock solution in DMSO.
- **Add to Media:** In a 96-well plate, add a fixed volume (e.g., 2 μ L) of each DMSO dilution to a corresponding well containing 200 μ L of your complete cell culture medium. Include a DMSO-only control.[6]
- **Incubate:** Incubate the plate at 37°C and 5% CO₂.[6]

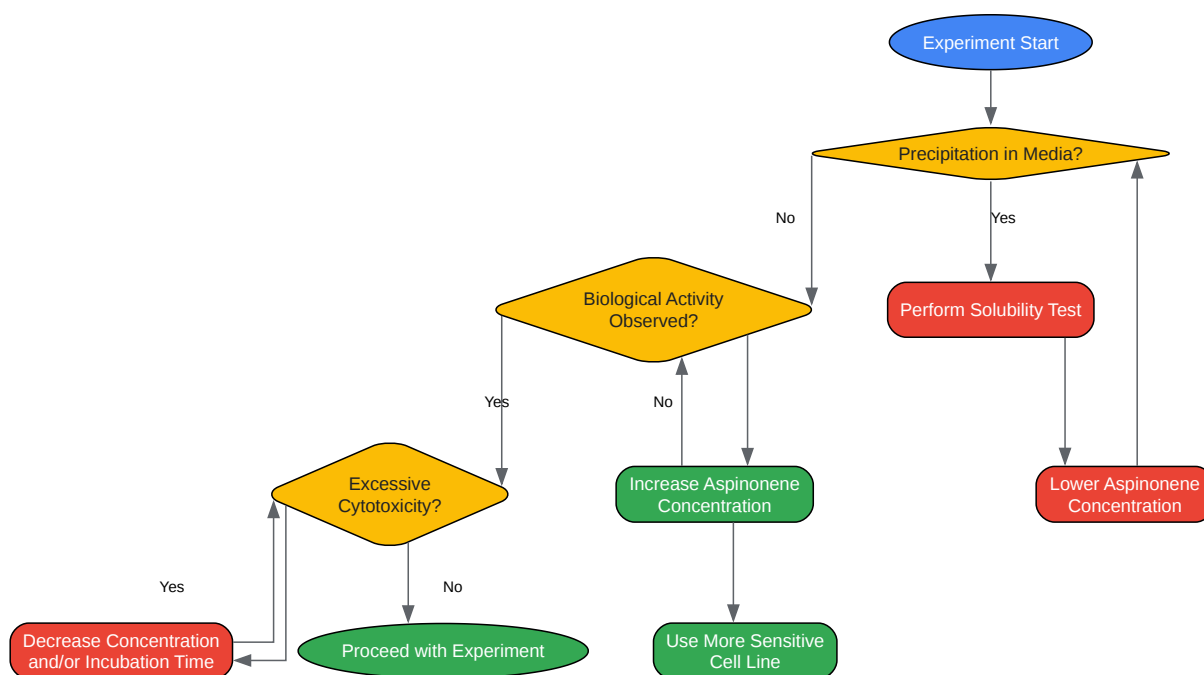
- **Observe for Precipitation:** Visually inspect the wells for any signs of cloudiness or precipitate at different time points (e.g., 0, 2, 6, and 24 hours). For a more quantitative assessment, you can measure the absorbance of the plate at 600 nm; an increase in absorbance indicates precipitation.[6]
- **Determine Maximum Soluble Concentration:** The highest concentration that remains clear is the maximum working soluble concentration under those specific conditions.[6]

Visualizations



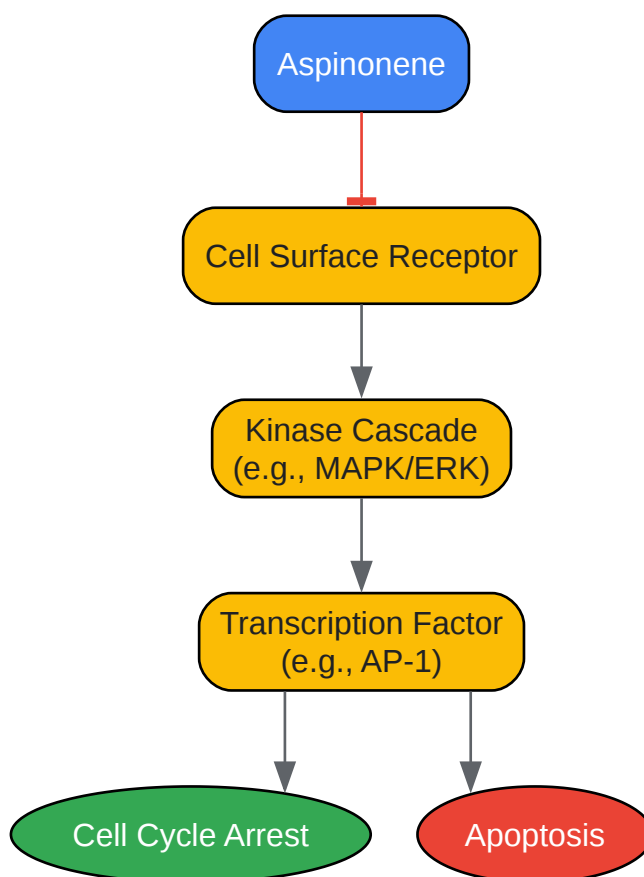
[Click to download full resolution via product page](#)

Caption: General experimental workflow for determining IC50 or EC50.



[Click to download full resolution via product page](#)

Caption: Troubleshooting workflow for optimizing **Aspinonene** concentration.



[Click to download full resolution via product page](#)

Caption: Hypothetical signaling pathway for **Aspinonene**'s cytotoxic effects.[2]

Need Custom Synthesis?

BenchChem offers custom synthesis for rare earth carbides and specific isotopic labeling.

Email: info@benchchem.com or [Request Quote Online](#).

References

- [1. benchchem.com \[benchchem.com\]](#)
- [2. benchchem.com \[benchchem.com\]](#)
- [3. researchgate.net \[researchgate.net\]](#)
- [4. benchchem.com \[benchchem.com\]](#)
- [5. Troubleshooting Precipitation in Cell Culture: Causes and Solutions \[procellsystem.com\]](#)

- [6. benchchem.com \[benchchem.com\]](https://www.benchchem.com)
- [7. researchgate.net \[researchgate.net\]](https://www.researchgate.net)
- [8. Common Cell Culture Problems: Precipitates \[sigmaaldrich.com\]](https://www.sigmaaldrich.com)
- To cite this document: BenchChem. [Technical Support Center: Optimizing Aspinonene Concentration for Bioassays]. BenchChem, [2026]. [Online PDF]. Available at: [\[https://www.benchchem.com/product/b8260393/docs#technical-support-center-optimizing-aspinonene-concentration-for-bioassays\]](https://www.benchchem.com/product/b8260393/docs#technical-support-center-optimizing-aspinonene-concentration-for-bioassays)

Disclaimer & Data Validity:

The information provided in this document is for Research Use Only (RUO) and is strictly not intended for diagnostic or therapeutic procedures. While BenchChem strives to provide accurate protocols, we make no warranties, express or implied, regarding the fitness of this product for every specific experimental setup.

Technical Support: The protocols provided are for reference purposes. Unsure if this reagent suits your experiment?

Need Industrial/Bulk Grade? [Request Custom Synthesis Quote](#)

BenchChem

Our mission is to be the trusted global source of essential and advanced chemicals, empowering scientists and researchers to drive progress in science and industry.

Contact

Address: 3281 E Guasti Rd
Ontario, CA 91761, United States
Phone: (601) 213-4426
Email: info@benchchem.com

[Contact our Ph.D. Support Team for a compatibility check](#)

