

# Safimaltib Target Validation in Cancer Cell Lines: An In-depth Technical Guide

**Author:** BenchChem Technical Support Team. **Date:** April 2026

## Compound of Interest

Compound Name:	Safimaltib
CAS No.:	2230273-76-2
Cat. No.:	B8196047

[Get Quote](#)

For Researchers, Scientists, and Drug Development Professionals

## Introduction

**Safimaltib** (JNJ-67856633) is a first-in-class, orally active, and selective allosteric inhibitor of the mucosa-associated lymphoid tissue lymphoma translocation protein 1 (MALT1) protease.[1] MALT1 is a key component of the CARD11-BCL10-MALT1 (CBM) complex, which is a critical mediator of the nuclear factor kappa B (NF- $\kappa$ B) signaling pathway.[2] The NF- $\kappa$ B pathway is constitutively activated in various B-cell malignancies, such as Activated B-Cell like (ABC) subtype of Diffuse Large B-cell Lymphoma (DLBCL), and plays a crucial role in the proliferation and survival of these cancer cells.[3] **Safimaltib**, by inhibiting the proteolytic activity of MALT1, effectively downregulates NF- $\kappa$ B signaling, leading to apoptosis and inhibition of tumor cell growth.[2] This technical guide provides a comprehensive overview of the target validation of **Safimaltib** in cancer cell lines, summarizing key quantitative data, detailing experimental protocols, and visualizing the associated signaling pathways and workflows.

## Data Presentation

**Table 1: Biochemical Activity of Safimaltib**

Assay Type	Target	IC50 (μM)	Notes
Biochemical Assay	MALT1	0.0224	Allosteric mechanism of inhibition.[1]
Biochemical Assay	E397A-mutated MALT1	0.936	Demonstrates allosteric binding.[1]

**Table 2: In Vitro Activity of Safimaltib in ABC-DLBCL Cancer Cell Lines**

Cell Line	Mutation Status	Assay Type	Endpoint	Finding
OCI-Ly3	CD79b, CARD11	Proliferation Assay	Antiproliferative	Safimaltib shows antiproliferative activity.[1]
OCI-Ly10	CD79b	Proliferation Assay	Antiproliferative	Safimaltib shows antiproliferative activity.[1]
TMD8	CD79b	Proliferation Assay	Antiproliferative	Safimaltib shows antiproliferative activity.[1]
HBL-1	CD79b	Proliferation Assay	Antiproliferative	Safimaltib shows antiproliferative activity.[1]
REC-1	Not specified	Proliferation Assay	Antiproliferative	Safimaltib shows antiproliferative activity.[1]
OCI-Ly3	CD79b, CARD11	MALT1 Substrate Cleavage	BCL10, RelB	Decreased levels of cleaved BCL10 and RelB. [1]
OCI-Ly3	CD79b, CARD11	Cytokine Release	IL-10	Decreased levels of IL-10.[1]
TMD8 (BTK mutant)	CD79b, BTK C481S	Proliferation Assay	Antiproliferative	Safimaltib shows antiproliferative activity in a model of BTK inhibitor resistance.[1]
TMD8 (CARD11 mutant)	CD79b, CARD11 L225LI	Proliferation Assay	Antiproliferative	Safimaltib shows antiproliferative activity in a

model of BTK  
inhibitor  
resistance.[1]

**Table 3: In Vivo Efficacy of Safimaltib in ABC-DLBCL Xenograft Models**

Model	Treatment	Endpoint	Finding
CARD11-mutant ABC-DLBCL (mouse)	1, 3, 10, 30, 100 mg/kg b.i.d. x 28 days	Tumor Growth Inhibition	Dose-dependent tumor growth inhibition.[1]
CARD11-mutant ABC-DLBCL (mouse)	60 mg/kg q.d. x 28 days	Tumor Growth Inhibition	Dose-dependent tumor growth inhibition.[1]
CARD11-mutant ABC-DLBCL (mouse)	Single dose	Pharmacodynamic Response	Decreased tumor levels of uncleaved BCL10 and decreased serum levels of IL-10 at 24 hours post-dose. [1]
LY-24-0064 (PDX, CARD11-mutant)	10, 30, 100 mg/kg p.o. b.i.d.	Antitumor Activity	Demonstrated antitumor activity.[1]
LY-2298 (PDX, CD79b-mutant)	10, 30, 100 mg/kg p.o. b.i.d.	Antitumor Activity	Demonstrated antitumor activity.[1]

## Experimental Protocols

### MALT1 Biochemical Assay

This protocol outlines a fluorogenic assay to determine the in vitro potency of **Safimaltib** against MALT1 protease.

Materials:

- Recombinant human MALT1 enzyme

- Fluorogenic MALT1 substrate (e.g., Ac-LRSR-AMC)
- Assay Buffer: 50 mM HEPES (pH 7.4), 150 mM NaCl, 10 mM DTT, 0.01% Tween-20
- **Safimaltib** (or other test compounds) dissolved in DMSO
- 384-well, black, low-volume assay plates
- Fluorescence plate reader

#### Procedure:

- Prepare serial dilutions of **Safimaltib** in DMSO. Further dilute the compounds in Assay Buffer to the desired final concentrations.
- Add the diluted compounds to the assay plate. Include DMSO-only wells as a negative control (100% activity) and a known MALT1 inhibitor as a positive control.
- Add recombinant MALT1 enzyme to all wells except for the blank controls.
- Incubate the plate at room temperature for 15-30 minutes to allow for compound binding to the enzyme.
- Initiate the reaction by adding the fluorogenic MALT1 substrate to all wells.
- Immediately measure the fluorescence intensity (e.g., Excitation: 360 nm, Emission: 460 nm) at time zero and then kinetically over a period of 60-120 minutes at room temperature.
- Calculate the reaction rate (slope of the linear portion of the fluorescence versus time curve).
- Determine the percent inhibition for each **Safimaltib** concentration relative to the DMSO control.
- Plot the percent inhibition against the logarithm of the **Safimaltib** concentration and fit the data to a four-parameter logistic equation to determine the IC50 value.

## Cell Proliferation Assay (MTT Assay)

This protocol describes the use of the MTT assay to assess the antiproliferative effect of **Safimaltib** on ABC-DLBCL cell lines.

Materials:

- ABC-DLBCL cell lines (e.g., OCI-Ly3, OCI-Ly10, TMD8, HBL-1)
- Complete cell culture medium (e.g., RPMI-1640 with 10% FBS and 1% Penicillin-Streptomycin)
- **Safimaltib**
- MTT (3-(4,5-dimethylthiazol-2-yl)-2,5-diphenyltetrazolium bromide) solution (5 mg/mL in PBS)
- Solubilization buffer (e.g., 10% SDS in 0.01 M HCl)
- 96-well cell culture plates
- Microplate reader

Procedure:

- Seed the ABC-DLBCL cells into 96-well plates at a predetermined optimal density (e.g., 5,000-10,000 cells/well) in complete culture medium.
- Incubate the plates for 24 hours at 37°C in a 5% CO<sub>2</sub> incubator.
- Prepare serial dilutions of **Safimaltib** in complete culture medium and add them to the respective wells. Include a vehicle control (DMSO) and a positive control for cell death.
- Incubate the plates for an additional 72-96 hours.
- Add MTT solution to each well (10% of the total volume) and incubate for 4 hours at 37°C, allowing for the formation of formazan crystals.
- Add solubilization buffer to each well to dissolve the formazan crystals.

- Incubate the plates overnight at 37°C.
- Measure the absorbance at 570 nm using a microplate reader.
- Calculate the percentage of cell viability for each treatment group relative to the vehicle control.
- Plot the percentage of viability against the logarithm of **Safimaltib** concentration and determine the IC50 value.

## Western Blot for MALT1 Substrate Cleavage

This protocol details the detection of cleaved MALT1 substrates, such as BCL10 and RelB, in cancer cell lines following treatment with **Safimaltib**.

Materials:

- ABC-DLBCL cell lines
- **Safimaltib**
- Lysis buffer (e.g., RIPA buffer) with protease and phosphatase inhibitors
- Protein quantification assay (e.g., BCA assay)
- SDS-PAGE gels
- Transfer buffer
- PVDF or nitrocellulose membranes
- Blocking buffer (e.g., 5% non-fat milk or BSA in TBST)
- Primary antibodies against cleaved BCL10, total BCL10, cleaved RelB, total RelB, and a loading control (e.g., GAPDH or  $\beta$ -actin)
- HRP-conjugated secondary antibodies
- Chemiluminescent substrate

- Imaging system

Procedure:

- Treat ABC-DLBCL cells with various concentrations of **Safimaltib** for a specified time (e.g., 24 hours).
- Harvest the cells and lyse them in ice-cold lysis buffer.
- Determine the protein concentration of each lysate.
- Denature the protein samples by boiling in Laemmli buffer.
- Separate the proteins by SDS-PAGE.
- Transfer the separated proteins to a PVDF or nitrocellulose membrane.
- Block the membrane with blocking buffer for 1 hour at room temperature.
- Incubate the membrane with the primary antibodies overnight at 4°C.
- Wash the membrane with TBST.
- Incubate the membrane with the appropriate HRP-conjugated secondary antibody for 1 hour at room temperature.
- Wash the membrane again with TBST.
- Add the chemiluminescent substrate and visualize the protein bands using an imaging system.
- Quantify the band intensities to determine the ratio of cleaved to total BCL10 and RelB.

## In Vivo Xenograft Model

This protocol describes the establishment of an ABC-DLBCL xenograft model in mice to evaluate the in vivo efficacy of **Safimaltib**.

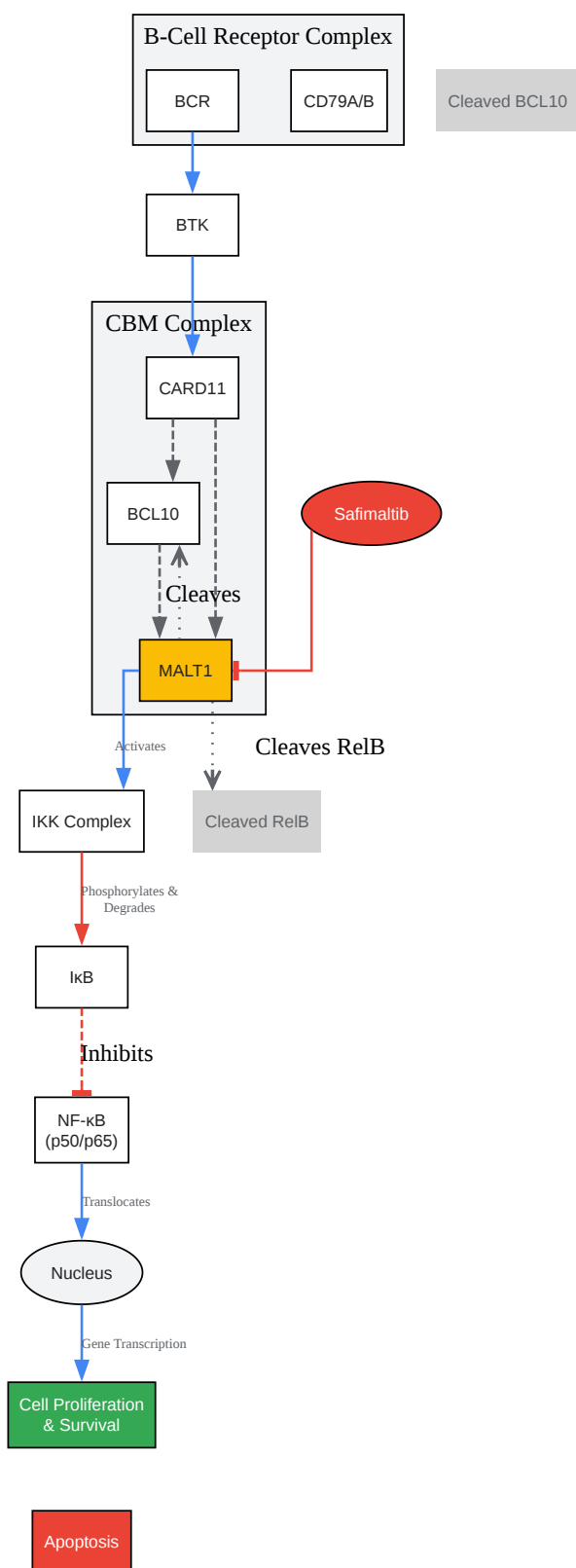
Materials:

- Immunocompromised mice (e.g., NOD/SCID or NSG mice)
- ABC-DLBCL cell lines (e.g., OCI-Ly3, OCI-Ly10)
- Matrigel (optional)
- **Safimaltib** formulation for oral administration
- Vehicle control
- Calipers for tumor measurement

#### Procedure:

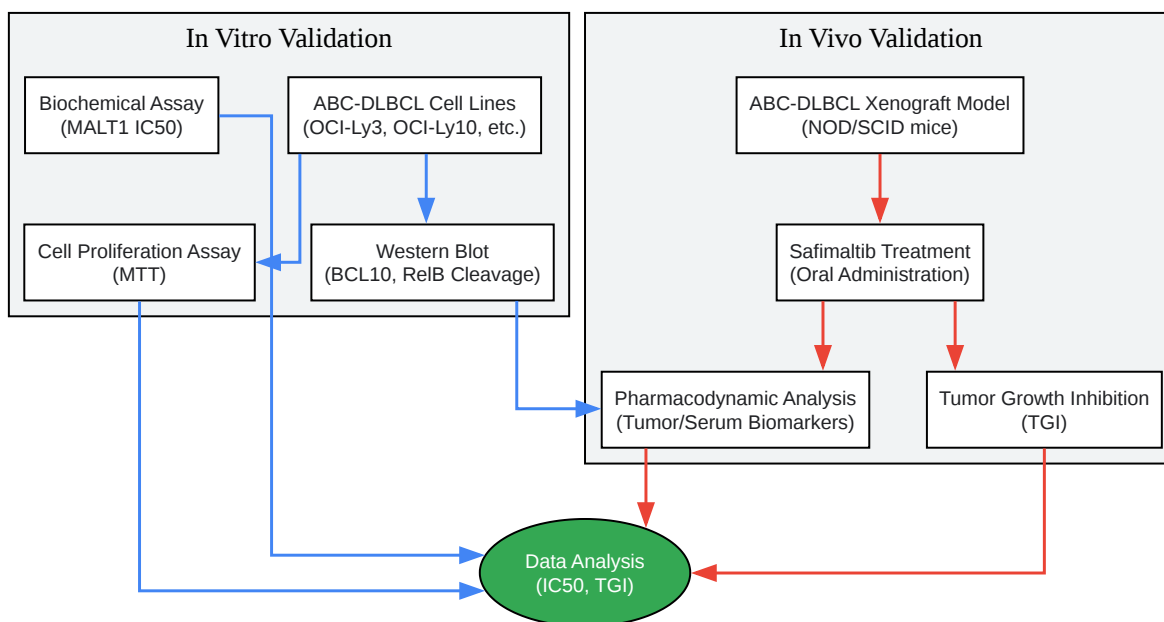
- Subcutaneously inject a suspension of ABC-DLBCL cells (e.g.,  $5-10 \times 10^6$  cells) mixed with or without Matrigel into the flank of the immunocompromised mice.
- Monitor the mice for tumor growth.
- Once the tumors reach a palpable size (e.g., 100-200 mm<sup>3</sup>), randomize the mice into treatment and control groups.
- Administer **Safimaltib** orally (p.o.) at the desired doses and schedule (e.g., once or twice daily). Administer the vehicle to the control group.
- Measure the tumor volume using calipers at regular intervals (e.g., every 2-3 days). Tumor volume can be calculated using the formula:  $(\text{Length} \times \text{Width}^2) / 2$ .
- Monitor the body weight of the mice as a measure of toxicity.
- At the end of the study, euthanize the mice and excise the tumors for further analysis (e.g., pharmacodynamic marker analysis by western blot or immunohistochemistry).
- Calculate the tumor growth inhibition (TGI) for each treatment group compared to the vehicle control group.

## Mandatory Visualization



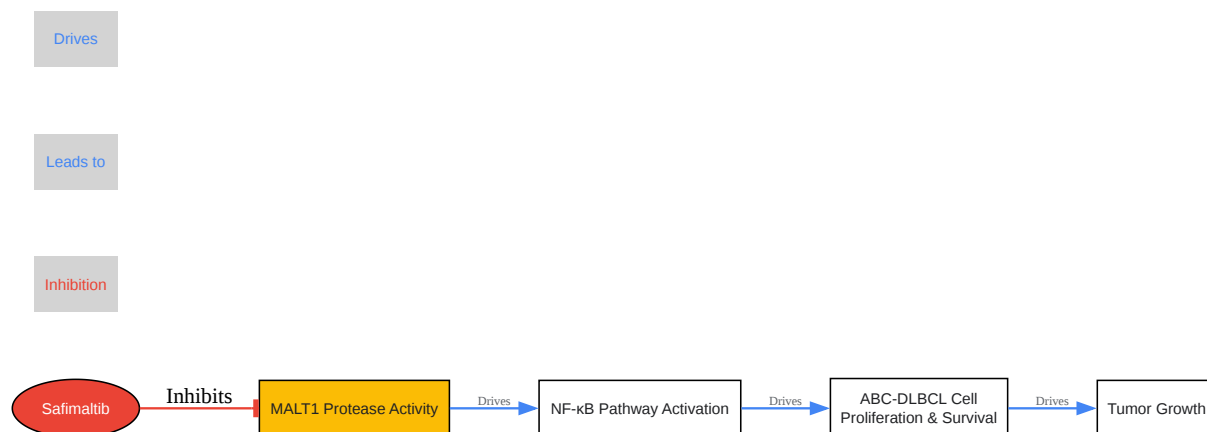
[Click to download full resolution via product page](#)

Caption: **Safimaltib**'s mechanism of action in the NF-κB signaling pathway.



[Click to download full resolution via product page](#)

Caption: Experimental workflow for **Safimaltib** target validation.



[Click to download full resolution via product page](#)

Caption: Logical relationship of **Safimaltib**'s therapeutic rationale.

### Need Custom Synthesis?

BenchChem offers custom synthesis for rare earth carbides and specific isotopic labeling.

Email: [info@benchchem.com](mailto:info@benchchem.com) or [Request Quote Online](#).

## References

- 1. Measurement of Endogenous MALT1 Activity [bio-protocol.org]
- 2. Safimaltib | C<sub>20</sub>H<sub>11</sub>F<sub>6</sub>N<sub>5</sub>O<sub>2</sub> | CID 134609793 - PubChem [pubchem.ncbi.nlm.nih.gov]
- 3. Pharmacological Inhibition of MALT1 Protease Leads to a Progressive IPEX-Like Pathology - PMC [pmc.ncbi.nlm.nih.gov]
- To cite this document: BenchChem. [Safimaltib Target Validation in Cancer Cell Lines: An In-depth Technical Guide]. BenchChem, [2026]. [Online PDF]. Available at: [https://www.benchchem.com/product/b8196047/docs#safimaltib-target-validation-in-cancer-cell-lines-an-in-depth-technical-guide]

**Disclaimer & Data Validity:**

The information provided in this document is for Research Use Only (RUO) and is strictly not intended for diagnostic or therapeutic procedures. While BenchChem strives to provide accurate protocols, we make no warranties, express or implied, regarding the fitness of this product for every specific experimental setup.

**Technical Support:** The protocols provided are for reference purposes. Unsure if this reagent suits your experiment?

**Need Industrial/Bulk Grade?** [Request Custom Synthesis Quote](#)

## BenchChem

Our mission is to be the trusted global source of essential and advanced chemicals, empowering scientists and researchers to drive progress in science and industry.

### Contact

Address: 3281 E Guasti Rd  
Ontario, CA 91761, United States  
Phone: (601) 213-4426  
Email: [info@benchchem.com](mailto:info@benchchem.com)

[Contact our Ph.D. Support Team for a compatibility check](#)