

Essential Guide to the Proper Disposal of Trx-red

Author: BenchChem Technical Support Team. **Date:** April 2026

Compound of Interest

Compound Name: Trx-red
Cat. No.: B8196055

[Get Quote](#)

For researchers, scientists, and drug development professionals, adherence to strict safety and disposal protocols is paramount for maintaining a safe laboratory environment and ensuring environmental protection. This guide provides essential, immediate safety and logistical information for the proper disposal of **Trx-red**. Given the absence of a specific Safety Data Sheet (SDS) for **Trx-red** (NBL-SS perchlorate), this document outlines general best practices for the disposal of similar fluorescent dyes and perchlorate-containing compounds.

I. Pre-Disposal Safety and Handling

Before beginning any disposal procedure, it is crucial to understand the potential hazards associated with **Trx-red** and to take appropriate safety precautions. **Trx-red** is a fluorescent probe and a perchlorate salt. Perchlorates are strong oxidizing agents and can pose fire and explosion risks if handled improperly.

Personal Protective Equipment (PPE): Always wear appropriate personal protective equipment when handling **Trx-red** in either solid or solution form. This includes:

- Safety goggles to protect the eyes from splashes.
- Chemical-resistant gloves (nitrile or neoprene) to prevent skin contact.

- A laboratory coat to protect clothing and skin.

Storage and Segregation:

- Store **Trx-red** in a cool, dry, and well-ventilated area.
- Keep it away from incompatible materials such as strong acids, bases, reducing agents, and flammable substances to prevent hazardous reactions.

II. Step-by-Step Disposal Procedure

The following procedure is a general guideline. Always consult and adhere to your institution's specific chemical hygiene plan and local hazardous waste regulations.

Step 1: Waste Identification and Classification

- All materials contaminated with **Trx-red**, including unused solutions, contaminated labware (e.g., pipette tips, tubes), and spill cleanup materials, must be treated as hazardous waste.
- Due to its perchlorate component, this waste is classified as an oxidizing hazardous waste.

Step 2: Waste Collection and Containment

- Collect all **Trx-red** waste in a designated, leak-proof, and chemically compatible container. The container should be clearly labeled.
- Do not mix **Trx-red** waste with other chemical waste streams unless explicitly permitted by your institution's waste management guidelines. Incompatible chemicals should be stored separately to prevent reactions.^{[1][2]}
- Ensure the waste container is kept securely closed except when adding waste.^{[2][3]}

Step 3: Labeling of Hazardous Waste Proper labeling is critical for safe transport and disposal. The label on the hazardous waste container must include:

- The words "Hazardous Waste".^[2]

- The full chemical name: "**Trx-red** (NBL-SS perchlorate)". Avoid using abbreviations or chemical formulas.
- The associated hazards (e.g., "Oxidizer," "Irritant").
- The accumulation start date (the date the first drop of waste was added to the container).
- The name and contact information of the generating laboratory or researcher.

Step 4: Storage of Hazardous Waste

- Store the sealed and labeled waste container in a designated satellite accumulation area within the laboratory.
- This area should be under the control of the laboratory personnel and away from general laboratory traffic.
- Ensure secondary containment is used to capture any potential leaks from the primary container.

Step 5: Arranging for Disposal

- Once the waste container is full or has been in accumulation for the maximum time allowed by your institution (typically 90-180 days), arrange for its disposal through your institution's Environmental Health and Safety (EHS) office or equivalent department.
- Follow your institution's specific procedures for requesting a hazardous waste pickup.

Important Considerations:

- Sink Disposal: Do not dispose of **Trx-red** down the sink. Many fluorescent dyes and all perchlorates are prohibited from drain disposal due to their potential environmental toxicity and reactivity.
- Empty Containers: Empty containers that held **Trx-red** should be triple-rinsed with a suitable solvent. The rinsate must be collected and disposed of as hazardous waste. After thorough rinsing and air-drying, and with all labels defaced or removed, the container may be disposed of as non-hazardous waste, in accordance with institutional policies.

III. Data Presentation: Key Safety and Handling Information

The following table summarizes crucial information for the safe handling and disposal of **Trx-red**, based on its chemical properties as a fluorescent dye and a perchlorate compound.

Parameter	Information
Chemical Name	Trx-red (NBL-SS perchlorate)
Primary Hazards	Oxidizer, Potential Irritant (skin and eye)
Incompatible Materials	Strong acids, Strong bases, Reducing agents, Flammable materials
Required PPE	Safety goggles, Chemical-resistant gloves, Lab coat
Waste Classification	Hazardous Waste (Oxidizer)
Disposal Method	Collection for chemical waste disposal through an approved hazardous waste management service. Do not dispose of down the drain.
Spill Cleanup	Use a non-combustible absorbent material (e.g., sand, vermiculite). Collect in a sealed container for hazardous waste disposal. Avoid creating dust from solid spills.

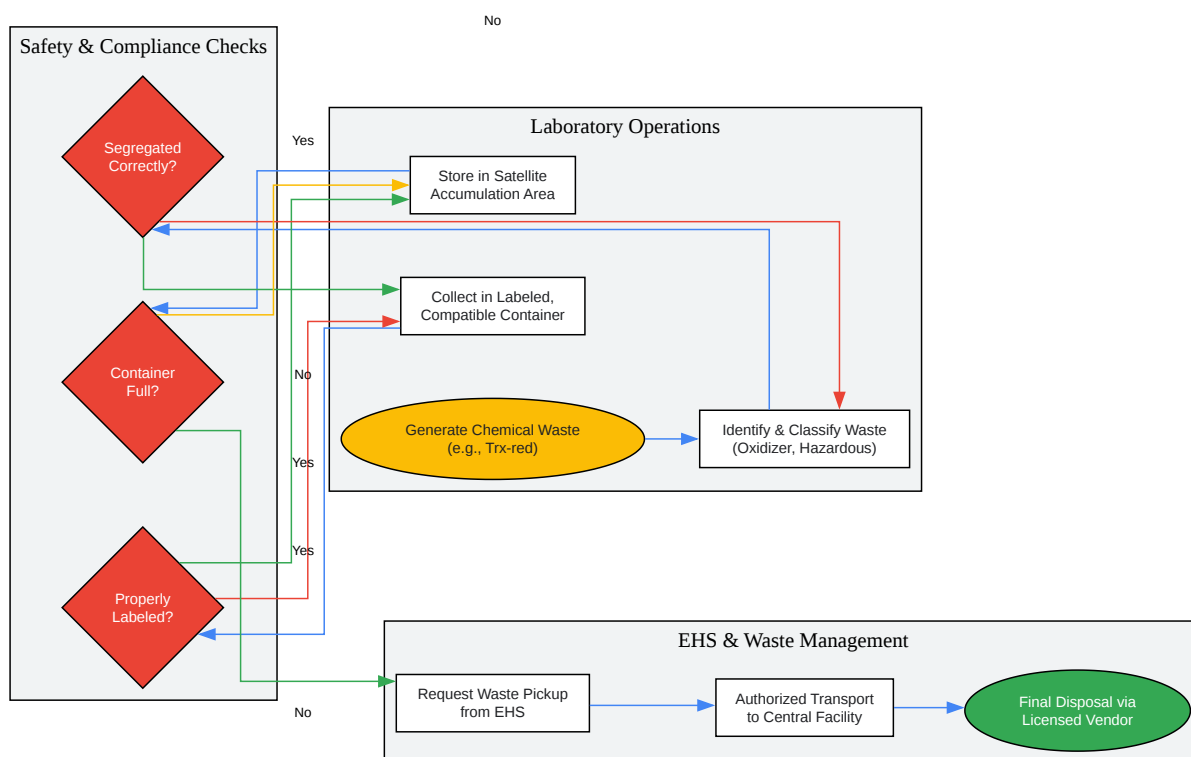
IV. Experimental Protocols: In-Lab Perchlorate Neutralization (Advanced)

For laboratories equipped and trained for such procedures, chemical neutralization of the perchlorate anion can be a pre-treatment step to reduce the hazardous nature of the waste. The following is a general protocol for the reduction of perchlorate using zero-valent iron (ZVI). This procedure should only be performed by trained personnel in a controlled laboratory setting and in accordance with institutional safety guidelines.

- **Acidification:** In a designated chemical fume hood, carefully adjust the pH of the aqueous **Trx-red** waste solution to a range of 2-3 using hydrochloric acid (HCl) or sulfuric acid (H₂SO₄). This acidic environment facilitates the reduction reaction.
- **Addition of ZVI:** While stirring the acidified solution, slowly add an excess of zero-valent iron powder. A general starting point is 5-10 grams of ZVI per liter of waste solution.
- **Reaction:** Allow the mixture to react with continuous stirring for at least 24 hours. The perchlorate is reduced to less hazardous chloride ions.
- **Final Disposal:** After the reaction is complete, the treated solution, which now contains the organic dye component and iron salts, must still be collected and disposed of as hazardous chemical waste according to institutional and local regulations.

V. Mandatory Visualization: Chemical Waste Disposal Workflow

The following diagram illustrates the general workflow for the proper disposal of laboratory chemical waste like **Trx-red**.



[Click to download full resolution via product page](#)

Caption: Workflow for the safe disposal of laboratory chemical waste.

Need Custom Synthesis?

BenchChem offers custom synthesis for rare earth carbides and specific isotopic labeling.

Email: info@benchchem.com or [Request Quote Online](#).

References

- [1. Laboratory Waste Disposal Safety Protocols | NSTA \[nsta.org\]](#)
- [2. Central Washington University | Laboratory Hazardous Waste Disposal Guidelines \[cwu.edu\]](#)
- [3. mcneese.edu \[mcneese.edu\]](#)
- To cite this document: BenchChem. [Essential Guide to the Proper Disposal of Trx-red]. BenchChem, [2026]. [Online PDF]. Available at: [\[https://www.benchchem.com/product/b8196055/docs#essential-guide-to-the-proper-disposal-of-trx-red\]](https://www.benchchem.com/product/b8196055/docs#essential-guide-to-the-proper-disposal-of-trx-red)

Disclaimer & Data Validity:

The information provided in this document is for Research Use Only (RUO) and is strictly not intended for diagnostic or therapeutic procedures. While BenchChem strives to provide accurate protocols, we make no warranties, express or implied, regarding the fitness of this product for every specific experimental setup.

Technical Support: The protocols provided are for reference purposes. Unsure if this reagent suits your experiment?

Need Industrial/Bulk Grade? [Request Custom Synthesis Quote](#)

BenchChem

Our mission is to be the trusted global source of essential and advanced chemicals, empowering scientists and researchers to drive progress in science and industry.

Contact

Address: 3281 E Guasti Rd

Ontario, CA 91761, United States

Phone: (601) 213-4426

Email: info@benchchem.com

Contact our Ph.D. Support Team for a compatibility check