

Mavorixafor Dose-Response Curve Optimization: A Technical Support Guide

Author: BenchChem Technical Support Team. **Date:** April 2026

Compound of Interest

Compound Name:	Mavorixafor
CAS No.:	690656-53-2
Cat. No.:	B7934478

[Get Quote](#)

This technical support center provides researchers, scientists, and drug development professionals with comprehensive troubleshooting guides and frequently asked questions (FAQs) for optimizing **Mavorixafor** dose-response curves in specific cell types.

Frequently Asked Questions (FAQs)

Q1: What is the mechanism of action of **Mavorixafor**?

A1: **Mavorixafor** is a selective antagonist of the C-X-C chemokine receptor type 4 (CXCR4).[1][2][3] It works by blocking the binding of the natural ligand, stromal cell-derived factor-1 (SDF-1, also known as CXCL12), to the CXCR4 receptor.[2][4] This inhibition prevents the activation of downstream signaling pathways that are involved in cell trafficking, homing, and proliferation.[2][5][6] In conditions like WHIM syndrome, where gain-of-function mutations in CXCR4 lead to excessive signaling and retention of white blood cells in the bone marrow, **Mavorixafor** helps to mobilize these cells into the peripheral circulation.[1][3][4]

Q2: What is a typical starting concentration range for **Mavorixafor** in in-vitro experiments?

A2: Based on in-vitro data, the IC₅₀ of **Mavorixafor** for blocking the binding of CXCL12 to CXCR4 is approximately 12.5 nM.[4] Therefore, a good starting point for a dose-response curve would be to use a logarithmic dilution series centered around this concentration. A suggested range could be from 0.1 nM to 1 μM to capture the full dynamic range of the response. However, the optimal concentration range will be cell-type dependent and should be determined empirically.

Q3: How do I select the appropriate cell type for my **Mavorixafor** experiment?

A3: The ideal cell type for your experiment will depend on your research question. Key considerations include:

- **CXCR4 Expression:** Ensure your chosen cell line expresses sufficient levels of CXCR4. This can be verified by flow cytometry, western blot, or qPCR.
- **Disease Relevance:** If you are studying a specific disease, such as WHIM syndrome or a particular cancer, using a cell line derived from that disease context is recommended.[2][3]
- **Functional Response:** The cell line should exhibit a measurable functional response to CXCL12 stimulation, such as chemotaxis, calcium mobilization, or activation of downstream signaling pathways like ERK or AKT.[5][6]

Q4: What are the key functional assays to determine **Mavorixafor**'s dose-response?

A4: Several functional assays can be used to characterize the dose-response of **Mavorixafor**. The choice of assay will depend on the specific aspect of CXCR4 signaling you are interested in. Common assays include:

- **Chemotaxis Assays:** To measure the inhibition of cell migration towards a CXCL12 gradient.
- **Calcium Flux Assays:** To measure the inhibition of CXCL12-induced intracellular calcium release.
- **CXCR4 Internalization Assays:** To assess the effect of **Mavorixafor** on receptor internalization upon ligand binding.[7][8]

- Phosphorylation Assays (e.g., Western Blot, ELISA): To measure the inhibition of downstream signaling molecules like ERK and AKT.[9]

Troubleshooting Guide

Issue	Possible Cause	Recommended Solution
High variability between replicates	Inconsistent cell seeding density.	Ensure a homogenous single-cell suspension before seeding and use a multichannel pipette for consistency.
Edge effects in multi-well plates.	Avoid using the outer wells of the plate or fill them with sterile PBS to maintain humidity.	
Pipetting errors.	Calibrate pipettes regularly and use reverse pipetting for viscous solutions.	
No response to CXCL12 stimulation (Positive Control)	Low or no CXCR4 expression in the cell line.	Verify CXCR4 expression using flow cytometry or Western blot.
Inactive CXCL12 ligand.	Use a fresh aliquot of CXCL12 and verify its activity on a validated cell line.	
Suboptimal assay conditions (e.g., incubation time, temperature).	Optimize assay parameters based on literature or preliminary experiments.	
Mavorixafor shows no inhibitory effect	Incorrect Mavorixafor concentration.	Verify the stock concentration and perform a fresh serial dilution.
Mavorixafor degradation.	Prepare fresh Mavorixafor solutions for each experiment and store the stock solution as recommended by the manufacturer.	
Cell type is resistant to Mavorixafor.	Consider potential resistance mechanisms, such as mutations in the CXCR4 binding pocket or upregulation	

of alternative signaling pathways.

High background signal in the assay	Autofluorescence of cells or compounds.	Include a "no-dye" or "vehicle-only" control to measure background fluorescence.
Non-specific binding of detection antibodies.	Optimize antibody concentrations and include appropriate isotype controls.	
Contamination of cell culture.	Regularly test for mycoplasma and other contaminants.	

Experimental Protocols

Protocol 1: Chemotaxis Assay (Boyden Chamber)

- Cell Preparation:
 - Culture cells to 70-80% confluency.
 - Serum-starve the cells for 2-4 hours prior to the assay.
 - Harvest cells and resuspend in serum-free media at a concentration of 1×10^6 cells/mL.
- Assay Setup:
 - Add serum-free media containing various concentrations of CXCL12 (e.g., 100 ng/mL as a positive control) to the lower wells of the Boyden chamber.
 - Pre-incubate the cell suspension with different concentrations of **Mavorixafor** or vehicle control for 30 minutes at 37°C.
 - Add 100 μ L of the cell suspension to the upper chamber (insert).
- Incubation:
 - Incubate the chamber at 37°C in a 5% CO₂ incubator for 2-4 hours.

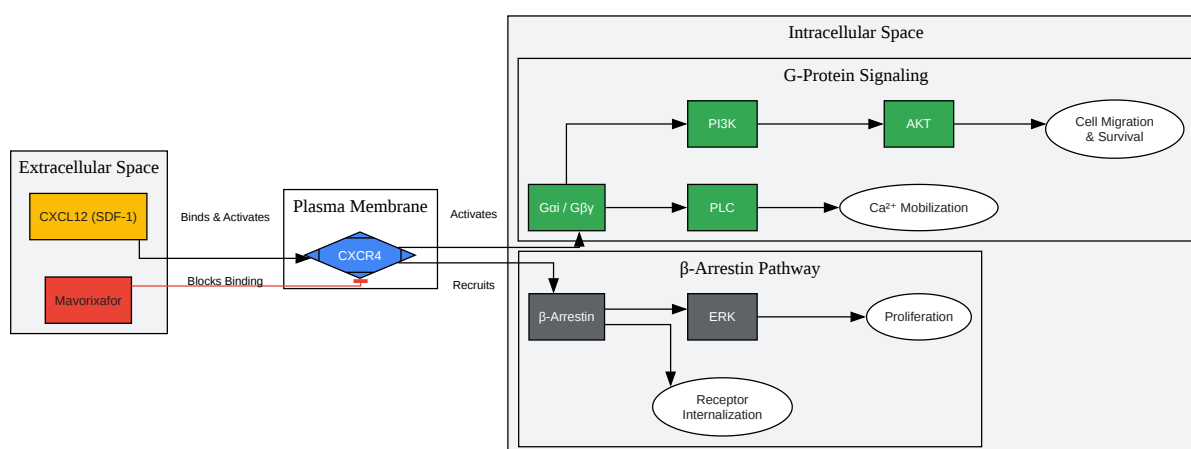
- Cell Staining and Counting:
 - Remove the inserts and wipe the top of the membrane with a cotton swab to remove non-migrated cells.
 - Fix the migrated cells on the bottom of the membrane with methanol for 10 minutes.
 - Stain the cells with a 0.5% crystal violet solution for 10 minutes.
 - Wash the inserts with water and allow them to air dry.
 - Elute the stain with a 10% acetic acid solution and measure the absorbance at 570 nm, or count the migrated cells in several fields of view under a microscope.

Protocol 2: Calcium Flux Assay

- Cell Preparation:
 - Seed cells in a black, clear-bottom 96-well plate and grow to 80-90% confluency.
- Dye Loading:
 - Wash the cells with a buffered salt solution (e.g., HBSS).
 - Load the cells with a calcium-sensitive fluorescent dye (e.g., Fluo-4 AM) according to the manufacturer's instructions. This typically involves a 30-60 minute incubation at 37°C.
- **Mavorixafor** Treatment:
 - Wash the cells to remove excess dye.
 - Add a buffered salt solution containing different concentrations of **Mavorixafor** or a vehicle control to the wells.
 - Incubate for 15-30 minutes at room temperature.
- Signal Measurement:

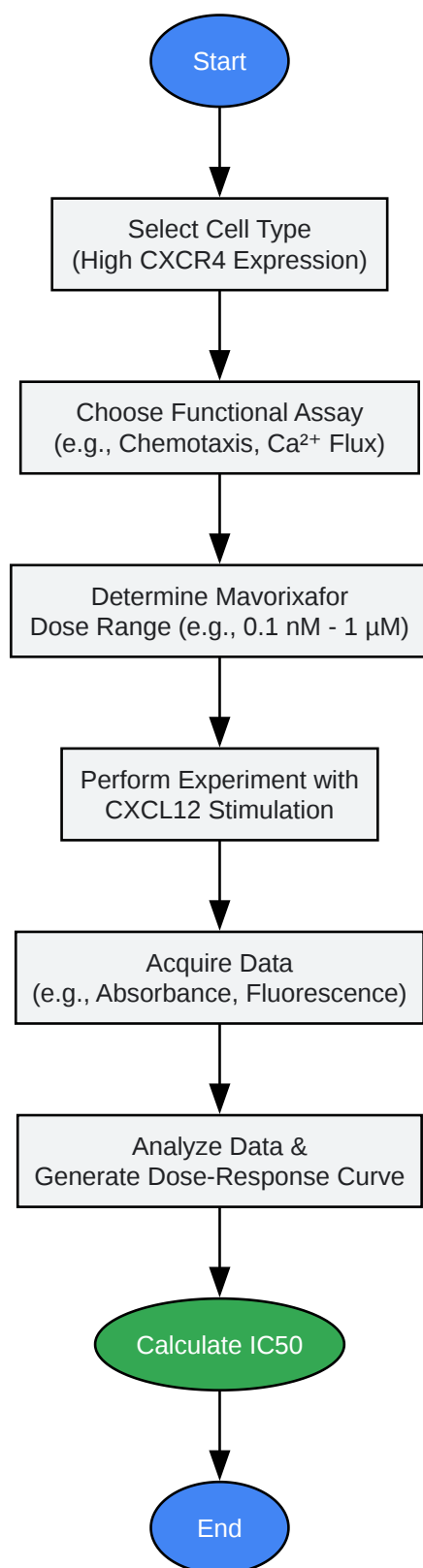
- Place the plate in a fluorescence plate reader equipped with an automated injection system.
- Measure the baseline fluorescence for a short period.
- Inject CXCL12 (e.g., 100 nM final concentration) into the wells and continue to measure the fluorescence intensity over time to detect the calcium influx.

Visualizations



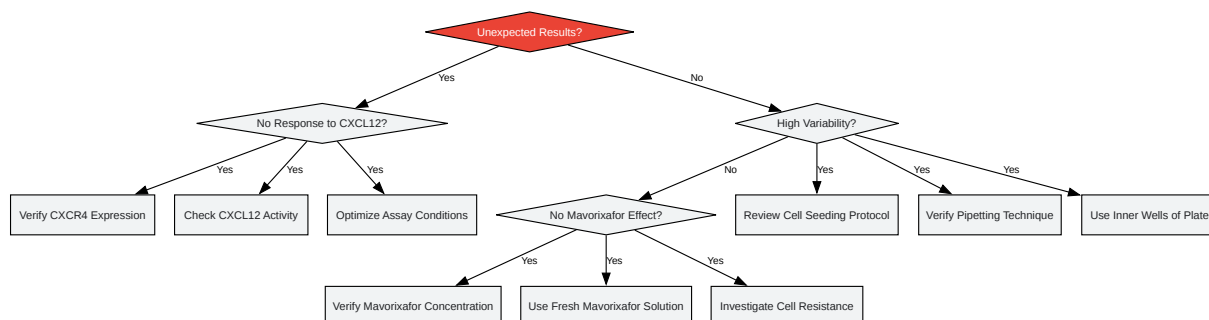
[Click to download full resolution via product page](#)

Caption: **Mavorixafor** blocks CXCL12 binding to CXCR4, inhibiting downstream signaling.



[Click to download full resolution via product page](#)

Caption: Experimental workflow for **Mavorixafor** dose-response curve optimization.



[Click to download full resolution via product page](#)

Caption: A decision tree for troubleshooting common experimental issues.

Need Custom Synthesis?

BenchChem offers custom synthesis for rare earth carbides and specific isotopic labeling.

Email: info@benchchem.com or [Request Quote Online](#).

References

- [1. go.drugbank.com](https://go.drugbank.com) [go.drugbank.com]
- [2. What is the mechanism of Mavorixafor?](https://synapse.patsnap.com) [synapse.patsnap.com]
- [3. What is Mavorixafor used for?](https://synapse.patsnap.com) [synapse.patsnap.com]
- [4. tandfonline.com](https://tandfonline.com) [tandfonline.com]
- [5. Regulation of CXCR4 Signaling - PMC](https://pubmed.ncbi.nlm.nih.gov) [pmc.ncbi.nlm.nih.gov]
- [6. Frontiers | The Chemokine Receptor CXCR4 in Cell Proliferation and Tissue Regeneration](https://frontiersin.org) [frontiersin.org]

- [7. Detecting Cell Surface Expression of the G Protein-Coupled Receptor CXCR4 - PMC \[pmc.ncbi.nlm.nih.gov\]](#)
- [8. Endocytosis is required for CXC chemokine receptor type 4 \(CXCR4\)-mediated Akt activation and antiapoptotic signaling - PMC \[pmc.ncbi.nlm.nih.gov\]](#)
- [9. researchgate.net \[researchgate.net\]](#)
- To cite this document: BenchChem. [Mavorixafor Dose-Response Curve Optimization: A Technical Support Guide]. BenchChem, [2026]. [Online PDF]. Available at: [\[https://www.benchchem.com/product/b7934478/docs#mavorixafor-dose-response-curve-optimization-a-technical-support-guide\]](https://www.benchchem.com/product/b7934478/docs#mavorixafor-dose-response-curve-optimization-a-technical-support-guide)

Disclaimer & Data Validity:

The information provided in this document is for Research Use Only (RUO) and is strictly not intended for diagnostic or therapeutic procedures. While BenchChem strives to provide accurate protocols, we make no warranties, express or implied, regarding the fitness of this product for every specific experimental setup.

Technical Support: The protocols provided are for reference purposes. Unsure if this reagent suits your experiment?

Need Industrial/Bulk Grade? [Request Custom Synthesis Quote](#)

BenchChem

Our mission is to be the trusted global source of essential and advanced chemicals, empowering scientists and researchers to drive progress in science and industry.

Contact

Address: 3281 E Guasti Rd
Ontario, CA 91761, United States
Phone: (601) 213-4426
Email: info@benchchem.com

Contact our Ph.D. Support Team for a compatibility check