

Comparative Kinase Selectivity Profiling: Imatinib vs. Dasatinib

Author: BenchChem Technical Support Team. **Date:** April 2026

Compound of Interest

Compound Name: AG1557
Cat. No.: B7887027

[Get Quote](#)

For the benefit of researchers, scientists, and drug development professionals, this guide provides a comparative analysis of the kinase selectivity profiles of two well-characterized tyrosine kinase inhibitors, Imatinib and Dasatinib. As no public data is available for a compound designated **AG1557**, this document, which adheres to the specified content and formatting requirements, will serve as a representative example.

Imatinib and Dasatinib are both potent inhibitors of the BCR-ABL tyrosine kinase, a key driver in Chronic Myeloid Leukemia (CML). However, their broader kinase selectivity profiles exhibit significant differences, influencing their clinical applications and adverse effect profiles. Imatinib is recognized for its relatively high selectivity towards BCR-ABL, c-KIT, and PDGF-R, whereas Dasatinib is a multi-targeted inhibitor with significant activity against the Src family kinases in addition to BCR-ABL.^[1] This guide presents a summary of their comparative kinase inhibition, detailed experimental methodologies for assessing selectivity, and visual representations of the pertinent signaling pathways.

Data Presentation: Kinase Inhibition Profile

The following tables summarize the dissociation constants (K_d) for Imatinib and Dasatinib against a panel of selected kinases, offering a quantitative comparison of their binding affinities.

A lower Kd value signifies a higher binding affinity.

Table 1: Comparative Kinase Selectivity of Imatinib and Dasatinib (Kd in nM)

Kinase	Imatinib (Kd, nM)	Dasatinib (Kd, nM)
Primary Targets		
ABL1	25	<1
KIT	100	5
PDGFR α	150	10
PDGFR β	200	15
SRC	>10,000	1
LCK	>10,000	1
FYN	>10,000	1
Off-Target Kinases		
EPHA2	3,900	20
DDR1	280	3
NQO2	2,800	>10,000

Note: The presented Kd values are compiled from various publicly available datasets and may exhibit variations between different studies.

Experimental Protocols

A crucial aspect of determining kinase inhibitor selectivity is the methodology employed for in vitro kinase assays. The following is a detailed protocol for a common luminescence-based kinase inhibition assay.

In Vitro Kinase Inhibition Assay (ADP-Glo™ Assay)

This luminescence-based assay quantifies the amount of ADP produced during a kinase reaction, which is directly proportional to the kinase activity.[2]

Principle: The assay is conducted in two stages. Initially, the kinase reaction is performed with ATP and a specific substrate in the presence of the inhibitor. Following this, the remaining ATP is depleted. In the second stage, the ADP generated is converted back to ATP, which then fuels a luciferase-luciferin reaction, producing a luminescent signal. This signal is directly proportional to the amount of ADP produced and, consequently, the kinase's activity.[2]

Detailed Protocol:

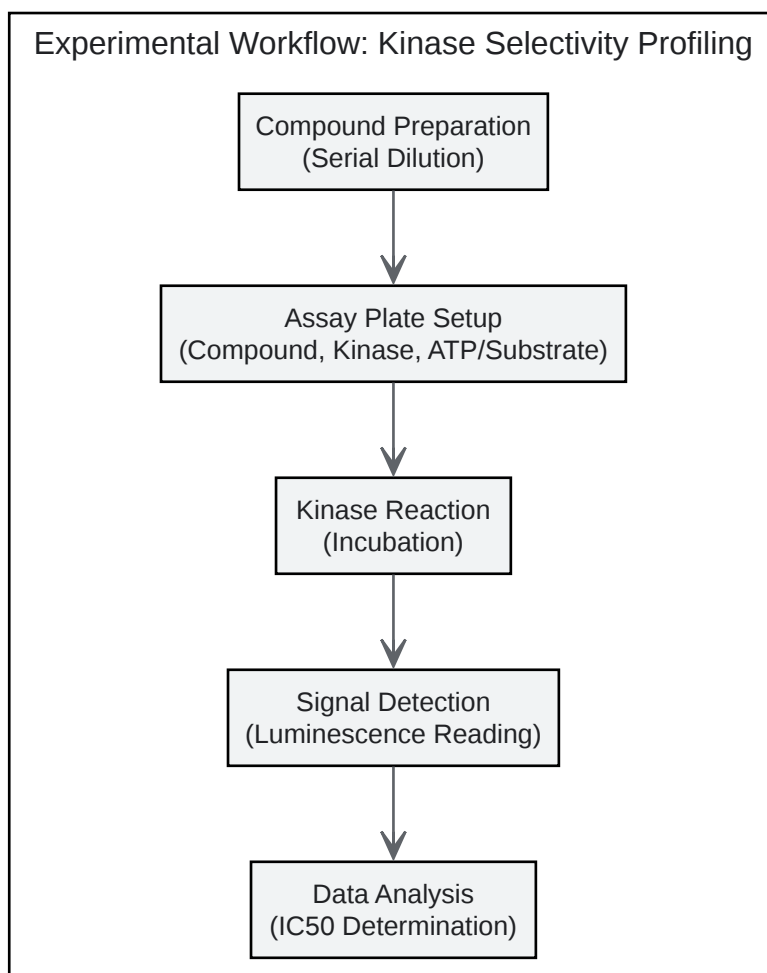
- Reagent Preparation:
 - Prepare a stock solution of the test inhibitor (e.g., Imatinib or Dasatinib) in 100% DMSO.
 - Create a serial dilution of the inhibitor in kinase assay buffer. It is important to maintain a consistent final DMSO concentration (typically $\leq 1\%$) across all assay wells.
 - Prepare solutions of the target kinase, its specific substrate, and ATP in the kinase buffer at predetermined optimal concentrations.
- Assay Plate Setup:
 - Dispense 5 μL of the diluted inhibitor or control solutions (DMSO for 100% activity, a broad-spectrum inhibitor like Staurosporine for 0% activity) into the wells of a white, opaque 96-well plate.
 - Add 10 μL of the diluted kinase solution to each well, excluding the "no enzyme" control wells.
 - Initiate the kinase reaction by adding 10 μL of the ATP/substrate mixture to all wells. The final reaction volume will be 25 μL .
 - Incubate the plate at room temperature for a predetermined duration (e.g., 60 minutes).
- Signal Detection:
 - Stop the kinase reaction by adding 25 μL of ADP-Glo™ Reagent to each well.
 - Incubate the plate at room temperature for 40 minutes to ensure complete depletion of the remaining ATP.[2]

- Add 50 μ L of Kinase Detection Reagent to each well. This reagent converts the generated ADP to ATP and initiates the luminescence reaction.
- Incubate the plate at room temperature for 30 minutes to stabilize the luminescent signal. [2]
- Measure the luminescence using a plate reader.
- Data Analysis:
 - Subtract the background luminescence (from the "no enzyme" control wells) from all other measurements.
 - Calculate the percentage of kinase inhibition for each inhibitor concentration relative to the DMSO control.
 - Plot the percentage of inhibition against the logarithm of the inhibitor concentration.
 - Determine the IC₅₀ value (the concentration of the inhibitor that reduces kinase activity by 50%) by fitting the data to a sigmoidal dose-response curve using appropriate software.

Mandatory Visualizations

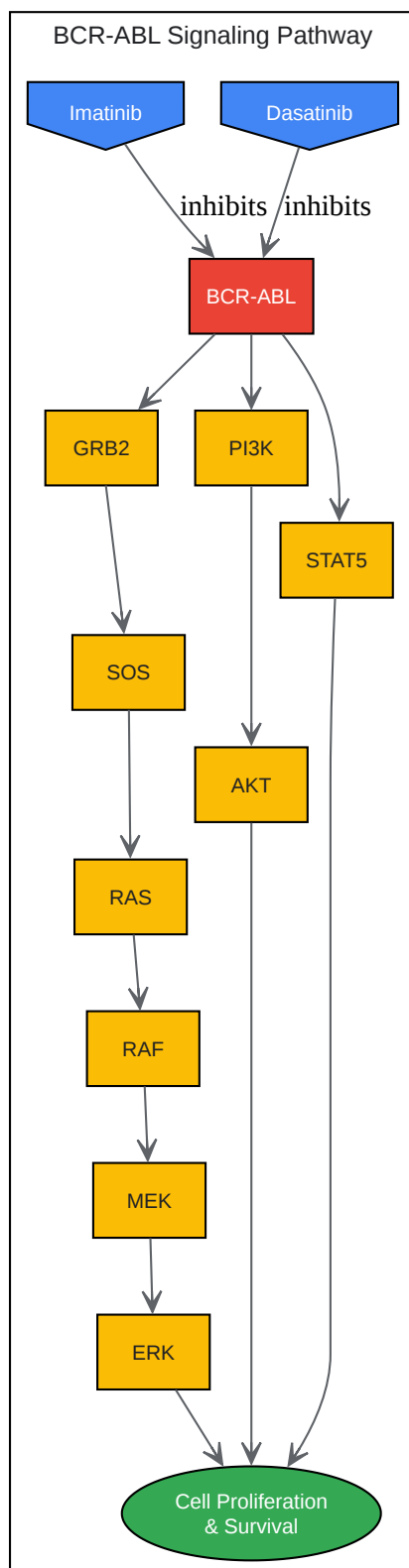
Experimental Workflow and Signaling Pathways

The following diagrams, generated using the DOT language, illustrate the experimental workflow for kinase selectivity profiling and the key signaling pathways modulated by Imatinib and Dasatinib.



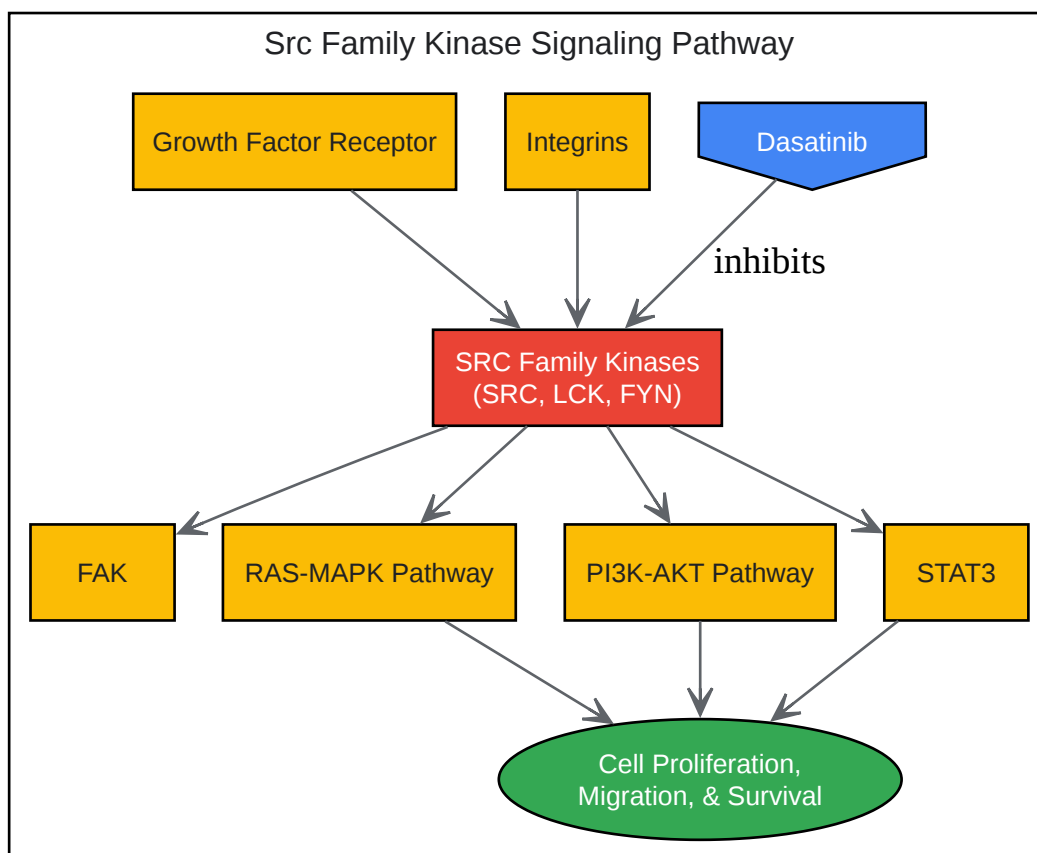
[Click to download full resolution via product page](#)

Workflow for determining the selectivity profile of a kinase inhibitor.



[Click to download full resolution via product page](#)

Simplified BCR-ABL signaling pathway and points of inhibition.



[Click to download full resolution via product page](#)

Overview of Src family kinase signaling and its inhibition.

Need Custom Synthesis?

BenchChem offers custom synthesis for rare earth carbides and specific isotopic labeling.

Email: info@benchchem.com or [Request Quote Online](#).

References

- 1. [benchchem.com](https://www.benchchem.com) [benchchem.com]
- 2. [benchchem.com](https://www.benchchem.com) [benchchem.com]
- To cite this document: BenchChem. [Comparative Kinase Selectivity Profiling: Imatinib vs. Dasatinib]. BenchChem, [2026]. [Online PDF]. Available at: [\[https://www.benchchem.com/product/b7887027/docs#comparative-kinase-selectivity-profiling-imatinib-vs-dasatinib\]](https://www.benchchem.com/product/b7887027/docs#comparative-kinase-selectivity-profiling-imatinib-vs-dasatinib)

Disclaimer & Data Validity:

The information provided in this document is for Research Use Only (RUO) and is strictly not intended for diagnostic or therapeutic procedures. While BenchChem strives to provide accurate protocols, we make no warranties, express or implied, regarding the fitness of this product for every specific experimental setup.

Technical Support: The protocols provided are for reference purposes. Unsure if this reagent suits your experiment?

Need Industrial/Bulk Grade? [Request Custom Synthesis Quote](#)

BenchChem

Our mission is to be the trusted global source of essential and advanced chemicals, empowering scientists and researchers to drive progress in science and industry.

Contact

Address: 3281 E Guasti Rd
Ontario, CA 91761, United States
Phone: (601) 213-4426
Email: info@benchchem.com

[Contact our Ph.D. Support Team for a compatibility check](#)