

Application Notes and Protocols: Cycloaddition Reactions of Hexafluoro-2,4-hexadiyne

Author: BenchChem Technical Support Team. **Date:** April 2026

Compound of Interest

Compound Name:	2,4-Hexadiyne, 1,1,1,6,6,6-hexafluoro-
CAS No.:	10524-09-1
Cat. No.:	B077615

[Get Quote](#)

For Researchers, Scientists, and Drug Development Professionals

Introduction

Hexafluoro-2,4-hexadiyne ($\text{CF}_3\text{-C}\equiv\text{C-C}\equiv\text{C-CF}_3$) is a highly electrophilic conjugated diyne. The presence of two strongly electron-withdrawing trifluoromethyl groups significantly influences its reactivity, making it a potentially potent substrate for various cycloaddition reactions. While specific experimental data on the cycloaddition reactions of hexafluoro-2,4-hexadiyne is limited in the current scientific literature, its reactivity can be predicted based on the well-documented chemistry of similar fluorinated alkynes, such as hexafluoro-2-butyne (HFB).[1] These reactions are of significant interest for the synthesis of complex fluorinated carbocycles and heterocycles, which are valuable scaffolds in drug discovery and materials science.

This document provides an overview of the expected cycloaddition reactions of hexafluoro-2,4-hexadiyne, including Diels-Alder, [2+2] cycloaddition, and 1,3-dipolar cycloaddition reactions. Generalized experimental protocols and reaction diagrams are provided to guide researchers in exploring the synthetic utility of this versatile building block.

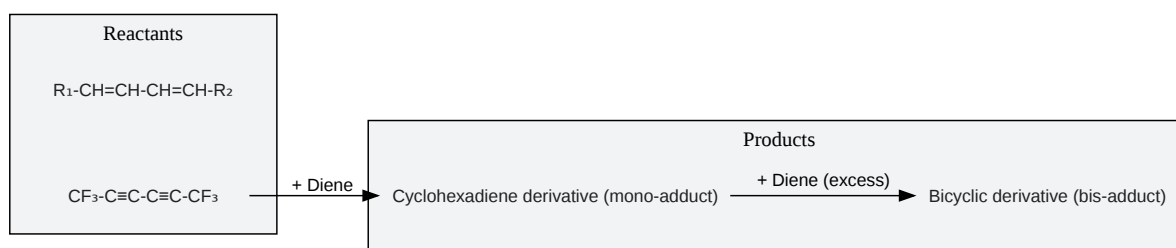
Expected Reactivity and General Principles

The two trifluoromethyl groups in hexafluoro-2,4-hexadiyne dramatically lower the energy of the LUMO (Lowest Unoccupied Molecular Orbital) of the alkyne moieties. This electronic feature makes it a highly reactive electrophile and a strong dienophile or dipolarophile in cycloaddition reactions. The conjugated diyne system offers the potential for reactions to occur at either one or both of the triple bonds, leading to a variety of possible products.

Diels-Alder ([4+2] Cycloaddition) Reactions

Hexafluoro-2,4-hexadiyne is expected to be a highly reactive dienophile in Diels-Alder reactions with a variety of conjugated dienes.^[2] The reaction involves the [4+2] cycloaddition of the dienophile with a diene to form a six-membered ring.^[2] Due to the electrophilic nature of hexafluoro-2,4-hexadiyne, it will react most readily with electron-rich dienes.

General Reaction Scheme:



[Click to download full resolution via product page](#)

Caption: Generalized Diels-Alder reaction of hexafluoro-2,4-hexadiyne.

Expected Outcome and Selectivity:

- **Reactivity:** The reaction is anticipated to proceed readily, potentially even at room temperature, due to the high electrophilicity of the diyne.

- **Regioselectivity:** With unsymmetrical dienes, the regioselectivity will be governed by the electronic and steric nature of the substituents on the diene.
- **Chemoselectivity:** Depending on the stoichiometry of the reactants, either a mono-adduct or a bis-adduct (from reaction at both triple bonds) could be formed. The formation of the bis-adduct would require harsher conditions or a large excess of the diene.

General Experimental Protocol for Diels-Alder Reactions

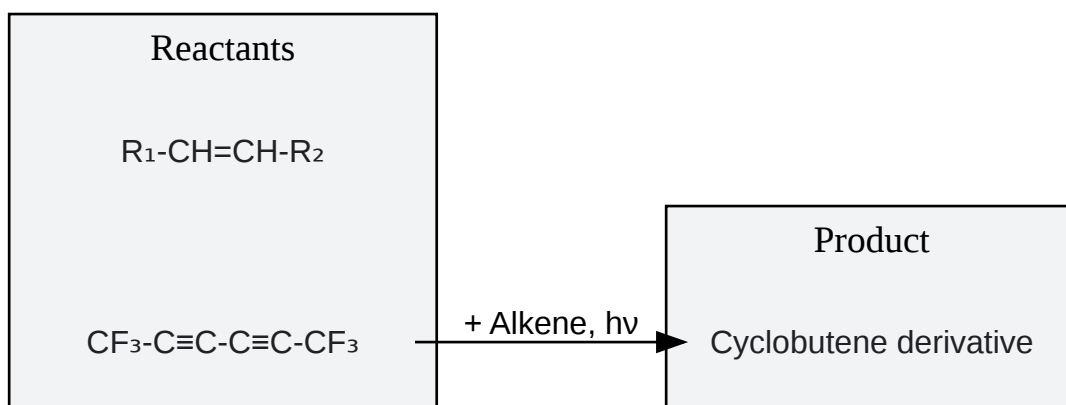
Note: This is a generalized protocol and may require optimization for specific substrates.

- **Reactant Preparation:** In a clean, dry reaction vessel equipped with a magnetic stirrer and under an inert atmosphere (e.g., nitrogen or argon), dissolve the diene (1.0 eq.) in a suitable anhydrous solvent (e.g., toluene, xylenes, or a chlorinated solvent).
- **Addition of Diyne:** Slowly add a solution of hexafluoro-2,4-hexadiyne (1.0-1.2 eq. for mono-adduct, >2.0 eq. for bis-adduct) in the same solvent to the reaction mixture at room temperature.
- **Reaction Monitoring:** Monitor the progress of the reaction by an appropriate analytical technique, such as Thin Layer Chromatography (TLC), Gas Chromatography-Mass Spectrometry (GC-MS), or Nuclear Magnetic Resonance (NMR) spectroscopy.
- **Heating (if necessary):** If the reaction is slow at room temperature, it may be heated to reflux. The reaction time will vary depending on the reactivity of the diene.
- **Work-up and Purification:** Upon completion, cool the reaction mixture to room temperature. Remove the solvent under reduced pressure. The crude product can then be purified by standard techniques such as column chromatography on silica gel or recrystallization.

[2+2] Cycloaddition Reactions

Thermally initiated [2+2] cycloadditions are generally forbidden by the Woodward-Hoffmann rules. However, photochemical [2+2] cycloadditions are allowed and are a common method for the synthesis of cyclobutene and cyclobutane derivatives.^[3] Given the electronic nature of hexafluoro-2,4-hexadiyne, it is expected to undergo photochemical [2+2] cycloaddition with alkenes and other alkynes.

General Reaction Scheme:



[Click to download full resolution via product page](#)

Caption: Generalized photochemical [2+2] cycloaddition.

General Experimental Protocol for Photochemical [2+2] Cycloadditions

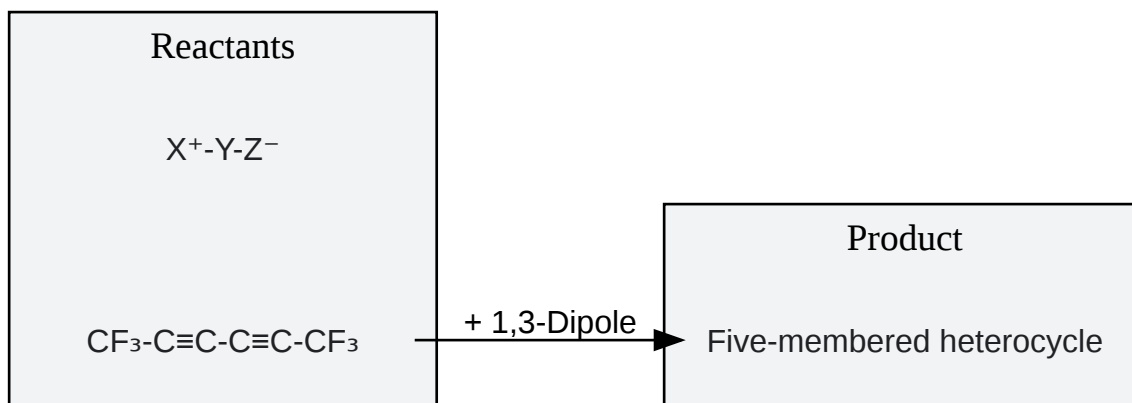
Note: Photochemical reactions require specialized equipment.

- **Reactant Preparation:** In a quartz reaction vessel, dissolve hexafluoro-2,4-hexadiyne (1.0 eq.) and the alkene (1.0-5.0 eq.) in a suitable degassed, anhydrous solvent (e.g., acetonitrile, dichloromethane). The use of a photosensitizer may be necessary depending on the substrates.
- **Irradiation:** Irradiate the solution with a suitable UV light source (e.g., a medium-pressure mercury lamp) while maintaining a constant temperature, often near room temperature.
- **Reaction Monitoring:** Monitor the reaction by GC-MS or NMR spectroscopy.
- **Work-up and Purification:** Once the reaction has reached completion or optimal conversion, remove the solvent in vacuo. Purify the resulting product by column chromatography or distillation.

1,3-Dipolar Cycloaddition Reactions

1,3-Dipolar cycloadditions are powerful reactions for the synthesis of five-membered heterocyclic rings.[4] Hexafluoro-2,4-hexadiyne, as a highly activated dipolarophile, is expected to react readily with a wide range of 1,3-dipoles, such as azides, nitrile oxides, and nitrones.[5] [6]

General Reaction Scheme:



[Click to download full resolution via product page](#)

Caption: Generalized 1,3-dipolar cycloaddition reaction.

Expected Outcome:

- **Reactivity:** The reactions are expected to be facile, often proceeding at room temperature without the need for a catalyst.
- **Regioselectivity:** The regioselectivity of the cycloaddition will be determined by the nature of the 1,3-dipole. For instance, with azides, a mixture of 1,4- and 1,5-disubstituted triazoles could be formed, although one isomer is likely to be favored.
- **Chemoselectivity:** Similar to the Diels-Alder reaction, mono- or bis-addition can be controlled by stoichiometry.

General Experimental Protocol for 1,3-Dipolar Cycloadditions

- **Reactant Preparation:** In a round-bottom flask, dissolve the 1,3-dipole (or its precursor) (1.0 eq.) in a suitable solvent (e.g., THF, ethyl acetate, toluene).
- **Addition of Diyne:** Add a solution of hexafluoro-2,4-hexadiyne (1.0-1.2 eq.) to the mixture.
- **Reaction Conditions:** Stir the reaction at room temperature. Gentle heating may be required for less reactive dipoles.
- **Reaction Monitoring:** Monitor the reaction by TLC, LC-MS, or NMR.
- **Work-up and Purification:** After completion, remove the solvent under reduced pressure. The residue can be purified by column chromatography or recrystallization to yield the heterocyclic product.

Quantitative Data

As of the date of this document, there is a notable absence of published quantitative data (e.g., reaction yields, specific conditions, and spectroscopic data) for the cycloaddition reactions of hexafluoro-2,4-hexadiyne. The tables below are provided as templates for researchers to populate as data becomes available.

Table 1: Diels-Alder Reactions of Hexafluoro-2,4-hexadiyne

Diene	Stoichiometry (Diene:Diyne)	Solvent	Temperature (°C)	Time (h)	Product(s)	Yield (%)
e.g., Furan						

| e.g., Cyclopentadiene | | | | | |

Table 2: [2+2] Cycloaddition Reactions of Hexafluoro-2,4-hexadiyne

Alkene/Alkyne	Stoichiometry	Solvent	Photosensitizer	Time (h)	Product(s)	Yield (%)
e.g., Ethylene						

| e.g., Acetylene | | | | | | |

Table 3: 1,3-Dipolar Cycloaddition Reactions of Hexafluoro-2,4-hexadiyne

1,3-Dipole	Stoichiometry	Solvent	Temperature (°C)	Time (h)	Product(s)	Yield (%)
e.g., Benzyl azide						

| e.g., Benzonitrile oxide | | | | | | |

Conclusion

Hexafluoro-2,4-hexadiyne represents a highly promising, yet underexplored, building block for the synthesis of novel fluorinated compounds through cycloaddition reactions. The strong electron-withdrawing nature of the trifluoromethyl groups is expected to drive facile reactions with a wide range of dienes, alkenes, and 1,3-dipoles. The provided general protocols and theoretical framework are intended to serve as a foundation for further experimental investigation into the rich and complex chemistry of this fascinating molecule. Researchers are encouraged to explore these reaction pathways and to publish their findings to contribute to the collective understanding of this area of fluorine chemistry.

Need Custom Synthesis?

BenchChem offers custom synthesis for rare earth carbides and specific isotopic labeling.

Email: info@benchchem.com or [Request Quote Online](#).

References

- [1. Hexafluoro-2-butyne - Wikipedia \[en.wikipedia.org\]](#)
- [2. Diels–Alder reaction - Wikipedia \[en.wikipedia.org\]](#)
- [3. Photochemical \[2 + 2\] Cycloaddition of Alkenes with Maleimides: Highlighting the Differences between N-Alkyl vs N-Aryl Maleimides - PMC \[pmc.ncbi.nlm.nih.gov\]](#)
- [4. 1,3-Dipolar cycloaddition - Wikipedia \[en.wikipedia.org\]](#)
- [5. The 1,3-Dipolar Cycloaddition: From Conception to Quantum Chemical Design - PMC \[pmc.ncbi.nlm.nih.gov\]](#)
- [6. Huisgen 1,3-Dipolar Cycloaddition \[organic-chemistry.org\]](#)
- To cite this document: BenchChem. [Application Notes and Protocols: Cycloaddition Reactions of Hexafluoro-2,4-hexadiyne]. BenchChem, [2026]. [Online PDF]. Available at: [\[https://www.benchchem.com/product/b077615/docs#application-notes-and-protocols-cycloaddition-reactions-of-hexafluoro-2-4-hexadiyne\]](https://www.benchchem.com/product/b077615/docs#application-notes-and-protocols-cycloaddition-reactions-of-hexafluoro-2-4-hexadiyne)

Disclaimer & Data Validity:

The information provided in this document is for Research Use Only (RUO) and is strictly not intended for diagnostic or therapeutic procedures. While BenchChem strives to provide accurate protocols, we make no warranties, express or implied, regarding the fitness of this product for every specific experimental setup.

Technical Support: The protocols provided are for reference purposes. Unsure if this reagent suits your experiment?

Need Industrial/Bulk Grade? [Request Custom Synthesis Quote](#)

BenchChem

Our mission is to be the trusted global source of essential and advanced chemicals, empowering scientists and researchers to drive progress in science and industry.

Contact

Address: 3281 E Guasti Rd
Ontario, CA 91761, United States
Phone: (601) 213-4426
Email: info@benchchem.com

Contact our Ph.D. Support Team for a compatibility check