

# The Biological Activity of 4,6-Dimethylcoumarin: A Technical Guide

**Author:** BenchChem Technical Support Team. **Date:** April 2026

## Compound of Interest

Compound Name: 4,6-Dimethyl-2-benzopyrone

CAS No.: 14002-89-2

Cat. No.: B076538

[Get Quote](#)

For Researchers, Scientists, and Drug Development Professionals

## Introduction

Coumarins are a large class of benzopyrone-based heterocyclic compounds of natural and synthetic origin that exhibit a wide array of pharmacological properties. Their diverse biological activities, including antimicrobial, antioxidant, anti-inflammatory, and anticancer effects, have positioned them as privileged scaffolds in medicinal chemistry and drug discovery. This technical guide focuses on the biological activities of a specific derivative, 4,6-dimethylcoumarin. While extensive research exists for the broader coumarin family, this document consolidates the available data for 4,6-dimethylcoumarin and supplements it with information from closely related analogs to provide a comprehensive overview for research and development purposes.

## Antimicrobial Activity

Coumarin derivatives have been widely investigated for their potential to combat microbial infections. The antimicrobial efficacy of these compounds is often attributed to their ability to interfere with cellular processes in bacteria and fungi.

## Quantitative Data

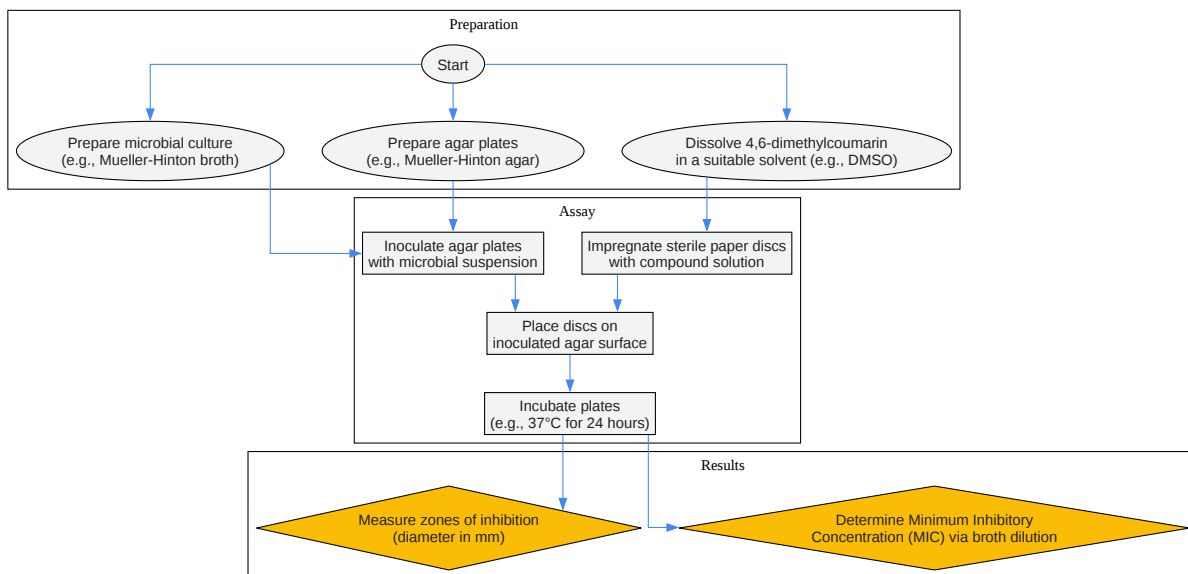
Specific minimum inhibitory concentration (MIC) values for 4,6-dimethylcoumarin are not extensively reported in the available literature. However, studies on various coumarin derivatives demonstrate a broad spectrum of antimicrobial activity. The following table presents illustrative MIC values for some coumarin derivatives against various microbial strains to provide a comparative context.

Compound/Derivative	Test Organism	MIC ( $\mu\text{g/mL}$ )	Reference
Coumarin-pyrazole hybrid 15	Streptococcus faecalis	3.91	[1]
Coumarin-pyrazole hybrid 15	Escherichia coli	>15.6 (MBC)	[1]
Coumarin-pyrazole hybrid 16	Enterobacter cloacae	>15.6 (MBC)	[1]
Coumarin hybrid 9	Staphylococcus aureus	4.88	[1]
Coumarin hybrid 9	Escherichia coli	78.13	[1]
Coumarin hybrid 9	Candida albicans	9.77	[1]
Coumarin hybrid 4f	Staphylococcus aureus	9.77	[1]
Coumarin hybrid 6a	Staphylococcus aureus	9.77	[1]
Osthenol	Bacillus cereus	62.5	[2]
Osthenol	Staphylococcus aureus	125	[2]

Note: Data for specific 4,6-dimethylcoumarin was not available. The presented data is for other coumarin derivatives to illustrate the potential antimicrobial activity of this class of compounds.

# Experimental Protocols

## Workflow for Antimicrobial Susceptibility Testing



[Click to download full resolution via product page](#)

Antimicrobial susceptibility testing workflow.

#### Agar Well/Disc Diffusion Method

- **Preparation of Inoculum:** A suspension of the test microorganism is prepared in sterile saline or broth to a standardized turbidity (e.g., 0.5 McFarland standard).
- **Inoculation of Agar Plates:** A sterile cotton swab is dipped into the inoculum suspension and swabbed evenly across the surface of a Mueller-Hinton agar plate.
- **Application of Compound:** Sterile paper discs (6 mm diameter) are impregnated with a known concentration of 4,6-dimethylcoumarin dissolved in a suitable solvent (e.g., DMSO). A solvent control disc is also prepared.
- **Incubation:** The discs are placed on the inoculated agar surface, and the plates are incubated at an appropriate temperature (e.g., 37°C for bacteria, 25-30°C for fungi) for 18-24 hours.
- **Measurement:** The diameter of the zone of inhibition around each disc is measured in millimeters.

#### Broth Microdilution Method for MIC Determination

- **Preparation of Compound Dilutions:** A serial two-fold dilution of 4,6-dimethylcoumarin is prepared in a 96-well microtiter plate containing a suitable broth medium (e.g., Mueller-Hinton broth).
- **Inoculation:** Each well is inoculated with a standardized suspension of the test microorganism.
- **Controls:** Positive (broth with microorganism, no compound) and negative (broth only) controls are included.
- **Incubation:** The microtiter plate is incubated under appropriate conditions.
- **Determination of MIC:** The MIC is determined as the lowest concentration of the compound that visibly inhibits the growth of the microorganism.

## Antioxidant Activity

The antioxidant properties of coumarins are often linked to their ability to scavenge free radicals and chelate metal ions, thereby mitigating oxidative stress, which is implicated in numerous chronic diseases.

## Quantitative Data

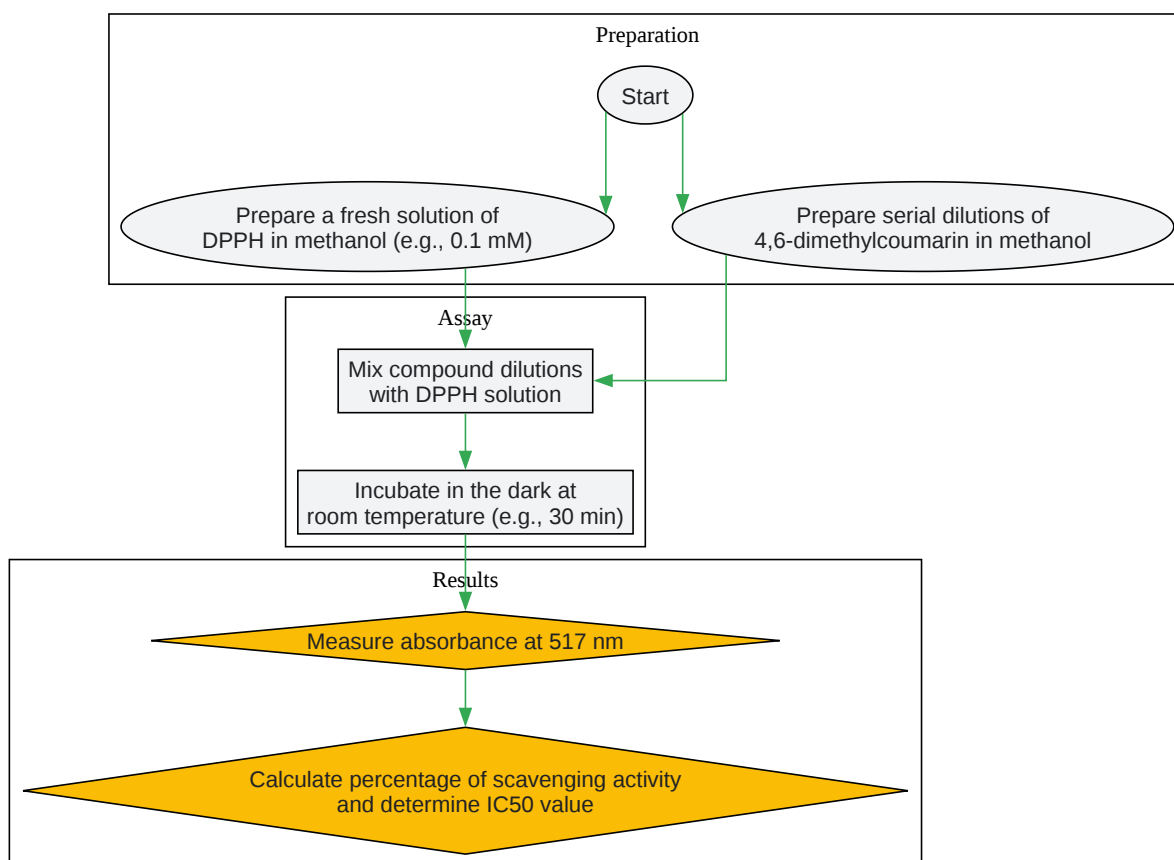
Direct IC<sub>50</sub> values for the DPPH radical scavenging activity of 4,6-dimethylcoumarin are not readily found in the literature. The table below provides data for other coumarin derivatives to illustrate the range of antioxidant potential within this chemical class.

Compound/Derivative	Assay	IC <sub>50</sub> Value	Reference
7,8-dihydroxy-4-methylcoumarin	DPPH	-	[3]
4-methyl coumarin derivative	DPPH	-	[3]
Coumarin-benzothiazole hybrid	DPPH	591.58 µg/mL	[4]
Ascorbic Acid (Standard)	DPPH	391.25 µg/mL	[4]
Coumarin derivative 4	DPPH	10 µg/mL	[4]
Ascorbic Acid (Standard)	DPPH	33.48 µg/mL	[4]
Coumarin derivative 5	DPPH	42.90 µg/mL	[4]
Coumarin-thiosemicarbazone 18	DPPH	7.1 µM	[4]
Ascorbic Acid (Standard)	DPPH	18.6 µM	[4]

Note: Data for specific 4,6-dimethylcoumarin was not available. The presented data is for other coumarin derivatives to illustrate the potential antioxidant activity of this class of compounds.

## Experimental Protocols

### Workflow for DPPH Radical Scavenging Assay



[Click to download full resolution via product page](#)

DPPH radical scavenging assay workflow.

DPPH (2,2-diphenyl-1-picrylhydrazyl) Radical Scavenging Assay

- Preparation of Reagents: A stock solution of DPPH is prepared in methanol (e.g., 0.1 mM). Serial dilutions of 4,6-dimethylcoumarin are also prepared in methanol.
- Reaction Mixture: An aliquot of each compound dilution is mixed with the DPPH solution. A control containing only methanol and the DPPH solution is also prepared.[5]
- Incubation: The reaction mixtures are incubated in the dark at room temperature for a specified period (e.g., 30 minutes).[5]
- Absorbance Measurement: The absorbance of the solutions is measured at 517 nm using a spectrophotometer.[5]
- Calculation: The percentage of DPPH radical scavenging activity is calculated using the following formula:  $\text{Scavenging Activity (\%)} = [(A_{\text{control}} - A_{\text{sample}}) / A_{\text{control}}] \times 100$   
Where  $A_{\text{control}}$  is the absorbance of the control and  $A_{\text{sample}}$  is the absorbance of the test sample.
- IC50 Determination: The IC50 value, the concentration of the compound required to scavenge 50% of the DPPH radicals, is determined by plotting the percentage of scavenging activity against the compound concentration.[5]

## Anti-inflammatory Activity

The anti-inflammatory effects of coumarins are often mediated through the inhibition of pro-inflammatory enzymes and cytokines.

## Quantitative Data

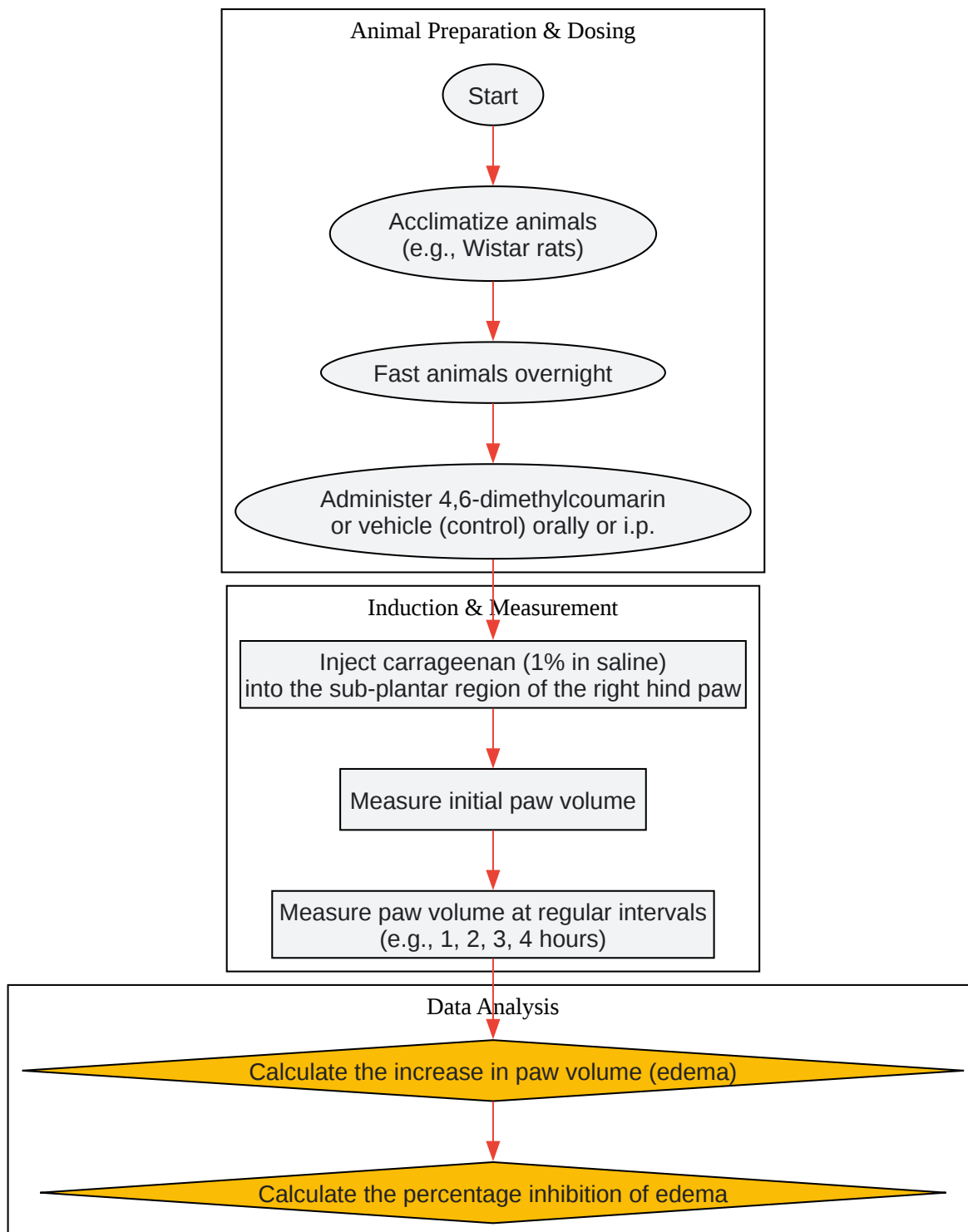
Quantitative data on the anti-inflammatory activity of 4,6-dimethylcoumarin is limited. The following table shows the percentage of edema inhibition for other coumarin derivatives in the carrageenan-induced paw edema model.

Compound/Derivative	Dose	Time (hours)	Edema Inhibition (%)	Reference
6-(substituted benzylamino)-7-hydroxy-4-methylcoumarin 4	-	2	30.49	[6]
6-(substituted benzylamino)-7-hydroxy-4-methylcoumarin 8	-	2	29.27	[6]
6-(substituted benzylamino)-7-hydroxy-4-methylcoumarin 4	-	3	44.05	[6]
6-(substituted benzylamino)-7-hydroxy-4-methylcoumarin 8	-	3	38.10	[6]
Indomethacin (Standard)	5 mg/kg	5	Significant inhibition	[7]

Note: Data for specific 4,6-dimethylcoumarin was not available. The presented data is for other coumarin derivatives to illustrate the potential anti-inflammatory activity of this class of compounds.

## Experimental Protocols

Workflow for Carrageenan-Induced Paw Edema Assay



[Click to download full resolution via product page](#)

Carrageenan-induced paw edema assay workflow.

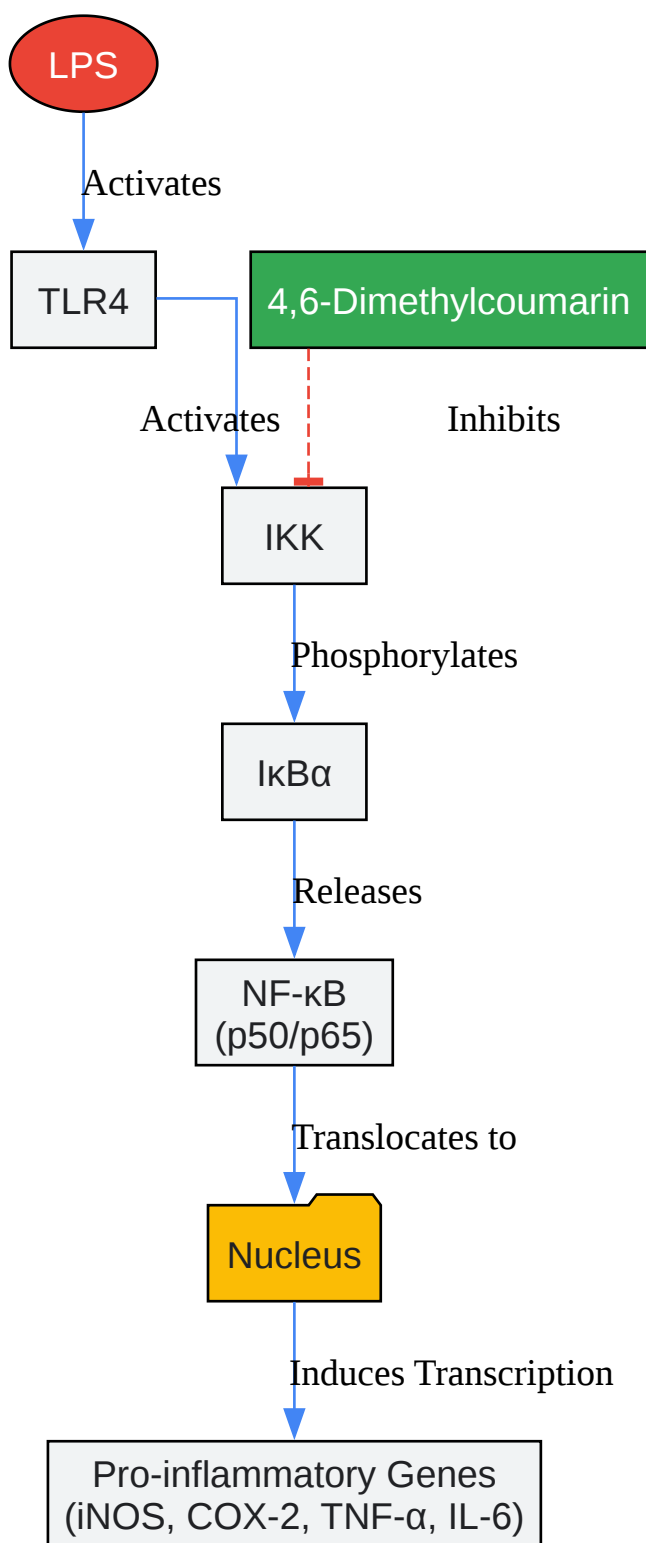
## Carrageenan-Induced Paw Edema in Rats

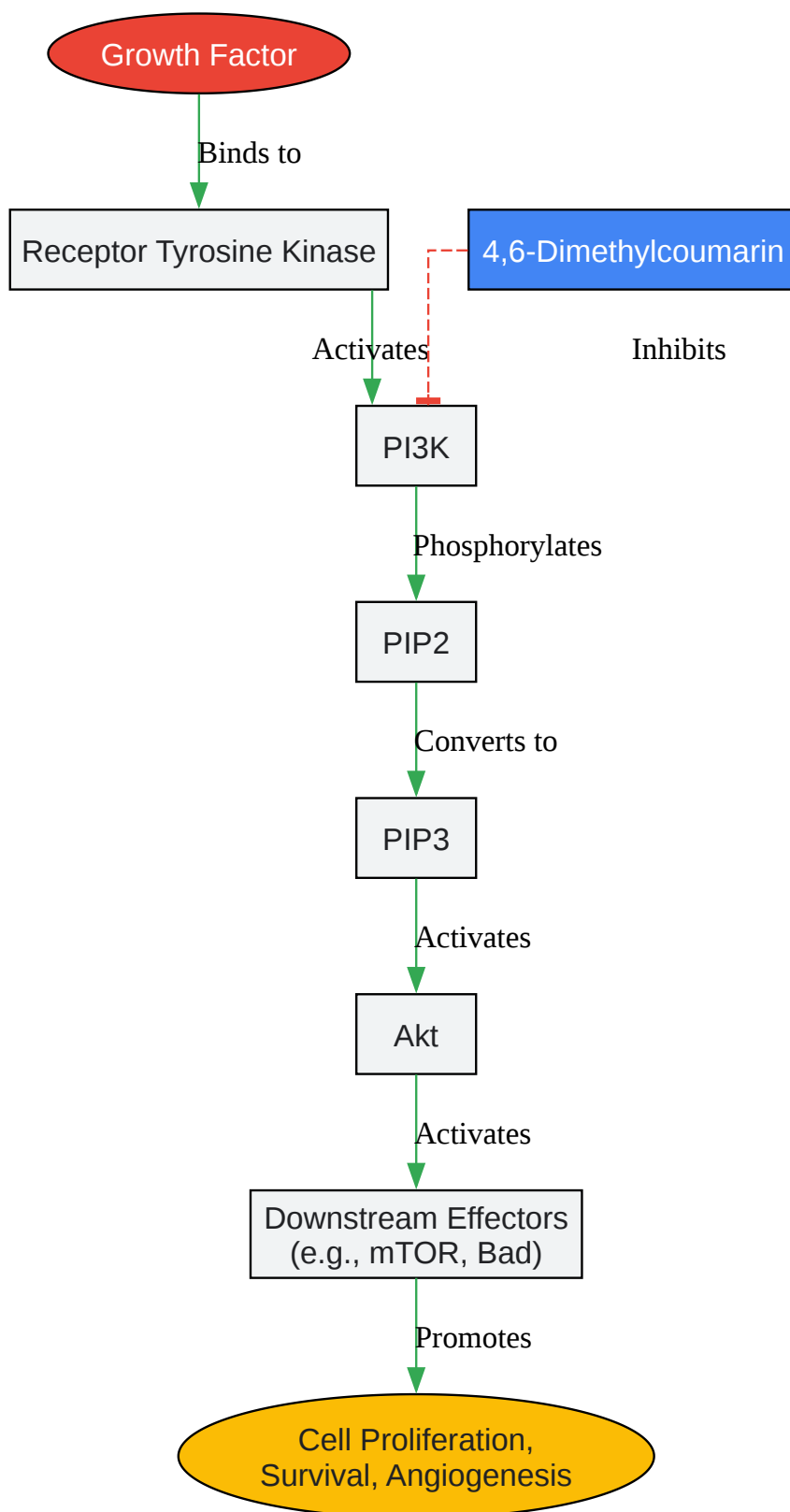
- **Animal Handling:** Male Wistar rats are acclimatized to the laboratory conditions and fasted overnight before the experiment.
- **Compound Administration:** The test group receives 4,6-dimethylcoumarin orally or intraperitoneally at a specific dose. The control group receives the vehicle, and a standard group receives a known anti-inflammatory drug (e.g., indomethacin).[7]
- **Induction of Edema:** After a set time (e.g., 30-60 minutes) following compound administration, a 1% solution of carrageenan in sterile saline is injected into the sub-plantar tissue of the right hind paw of each rat.[7][8][9][10]
- **Measurement of Paw Volume:** The paw volume is measured using a plethysmometer immediately before the carrageenan injection and at regular intervals thereafter (e.g., 1, 2, 3, and 4 hours).[7][8]
- **Calculation:** The percentage of inhibition of edema is calculated for each group using the formula: % Inhibition =  $[1 - (\Delta V_{\text{treated}} / \Delta V_{\text{control}})] \times 100$  Where  $\Delta V$  is the change in paw volume.

## Signaling Pathways

The anti-inflammatory effects of coumarin derivatives are often associated with the modulation of key signaling pathways involved in the inflammatory response. While specific studies on 4,6-dimethylcoumarin are limited, research on related compounds suggests the involvement of the NF- $\kappa$ B and MAPK pathways.

### NF- $\kappa$ B Signaling Pathway in Inflammation





[Click to download full resolution via product page](#)

### Need Custom Synthesis?

BenchChem offers custom synthesis for rare earth carbides and specific isotopic labeling.

Email: [info@benchchem.com](mailto:info@benchchem.com) or [Request Quote Online](#).

## References

- [1. Bot Verification \[chiet.edu.eg\]](#)
- [2. researchgate.net \[researchgate.net\]](#)
- [3. iris.uniroma1.it \[iris.uniroma1.it\]](#)
- [4. Antioxidant Activity of Coumarins and Their Metal Complexes - PMC \[pmc.ncbi.nlm.nih.gov\]](#)
- [5. 4.3. In Vitro DPPH• Assay \[bio-protocol.org\]](#)
- [6. researchgate.net \[researchgate.net\]](#)
- [7. A study of the mechanisms underlying the anti-inflammatory effect of ellagic acid in carrageenan-induced paw edema in rats - PMC \[pmc.ncbi.nlm.nih.gov\]](#)
- [8. 2.7. Carrageenan-induced paw edema assay \[bio-protocol.org\]](#)
- [9. 4.7. Carrageenan-Induced Paw Edema Test \[bio-protocol.org\]](#)
- [10. Carrageenan induced Paw Edema Model - Creative Biolabs \[creative-biolabs.com\]](#)
- To cite this document: BenchChem. [The Biological Activity of 4,6-Dimethylcoumarin: A Technical Guide]. BenchChem, [2026]. [Online PDF]. Available at: [\[https://www.benchchem.com/product/b076538/docs#the-biological-activity-of-4-6-dimethylcoumarin-a-technical-guide\]](https://www.benchchem.com/product/b076538/docs#the-biological-activity-of-4-6-dimethylcoumarin-a-technical-guide)

---

### Disclaimer & Data Validity:

The information provided in this document is for Research Use Only (RUO) and is strictly not intended for diagnostic or therapeutic procedures. While BenchChem strives to provide accurate protocols, we make no warranties, express or implied, regarding the fitness of this product for every specific experimental setup.

**Technical Support:** The protocols provided are for reference purposes. Unsure if this reagent suits your experiment?

**Need Industrial/Bulk Grade?** [Request Custom Synthesis Quote](#)

## BenchChem

Our mission is to be the trusted global source of essential and advanced chemicals, empowering scientists and researchers to drive progress in science and industry.

### Contact

Address: 3281 E Guasti Rd  
Ontario, CA 91761, United States  
Phone: (601) 213-4426  
Email: [info@benchchem.com](mailto:info@benchchem.com)

[Contact our Ph.D. Support Team for a compatibility check](#)