

# Stability of Triazole Linkages from BCN-OH Reactions: A Comparative Guide

**Author:** BenchChem Technical Support Team. **Date:** April 2026

## Compound of Interest

Compound Name: BCN-OH  
CAS No.: 1263291-41-3  
Cat. No.: B6226234

[Get Quote](#)

For researchers, scientists, and drug development professionals, the choice of a chemical linkage is critical to the success of their work, particularly in the fields of bioconjugation and materials science. The advent of "click chemistry" has provided a powerful toolkit for creating robust and stable connections. Among the various click reactions, the strain-promoted azide-alkyne cycloaddition (SPAAC), which utilizes reagents like **BCN-OH** (bicyclo[6.1.0]non-4-yn-9-ylmethanol), has gained prominence for its ability to form stable triazole linkages without the need for a cytotoxic copper catalyst.<sup>[1][2]</sup>

This guide offers an objective comparison of the stability of the triazole linkage derived from **BCN-OH** reactions with alternatives, supported by experimental data.

## Comparative Stability of Triazole Linkages

The 1,2,3-triazole ring, the product of both copper(I)-catalyzed azide-alkyne cycloaddition (CuAAC) and SPAAC, is widely recognized for its exceptional stability.<sup>[3]</sup> This aromatic heterocycle is highly resistant to cleavage by proteases, oxidation, and hydrolysis under both acidic and basic conditions.<sup>[3]</sup> While extensive head-to-head quantitative comparisons of the stability of triazole linkages from various click chemistry methods under identical stress

conditions are limited in the literature, a strong consensus on the remarkable stability of triazoles formed via CuAAC and SPAAC has emerged from numerous studies.[3]

However, the choice of the specific alkyne for SPAAC can influence the stability of the resulting conjugate, particularly in the presence of biological nucleophiles like thiols.

## Data Presentation

The following table summarizes available quantitative data on the stability of linkages derived from BCN and compares it with another common SPAAC reagent, DBCO (dibenzocyclooctyne), in the presence of a biologically relevant reducing agent.

Linkage/Reagent	Condition	Half-life (t <sub>1/2</sub> )	Reference
BCN	10 mM Glutathione (GSH)	~6 hours	[1]
DBCO	10 mM Glutathione (GSH)	71 minutes	[1]

This data clearly indicates that while both strained alkynes react with azides to form stable triazoles, BCN exhibits significantly greater stability in the presence of the thiol-containing molecule glutathione compared to DBCO.[1] This makes **BCN-OH** a more suitable choice for intracellular studies or other applications where the presence of reducing agents is a concern. [1] On-protein studies have also shown some instability of BCN in the presence of TCEP (tris(2-carboxyethyl)phosphine), another common reducing agent.[1]

## Experimental Protocols

To rigorously assess the stability of a triazole linkage, a forced degradation study is the standard method.[3] This involves subjecting the molecule of interest to various stress conditions and monitoring its degradation over time.[3]

### General Protocol for Forced Degradation Study

1. Sample Preparation:

- Prepare stock solutions of the triazole-linked compound in a suitable solvent (e.g., water, PBS, or a compatible organic solvent). A typical starting concentration is 1 mg/mL, but this may be adjusted based on the sensitivity of the analytical method.[3]

## 2. Stress Conditions:

- Acidic Hydrolysis: Incubate the sample in 0.1 M HCl at a controlled temperature (e.g., 60 °C). [3]
- Basic Hydrolysis: Incubate the sample in 0.1 M NaOH at a controlled temperature (e.g., 60 °C).[3]
- Oxidative Degradation: Treat the sample with 3% hydrogen peroxide (H<sub>2</sub>O<sub>2</sub>) at room temperature.[3]
- Reductive Stability: Incubate the sample with a biologically relevant reducing agent, such as 10 mM glutathione (GSH) or dithiothreitol (DTT), in a physiological buffer (e.g., PBS, pH 7.4) at 37 °C.[1][3]
- Thermal Stability: Incubate the sample in a neutral buffer at an elevated temperature (e.g., 60-80 °C).[3]
- Plasma Stability: Incubate the sample in human plasma at 37 °C.

## 3. Time Points:

- Collect aliquots of the stressed samples at various time points (e.g., 0, 2, 4, 8, 24, and 48 hours).[3]

## 4. Analytical Method:

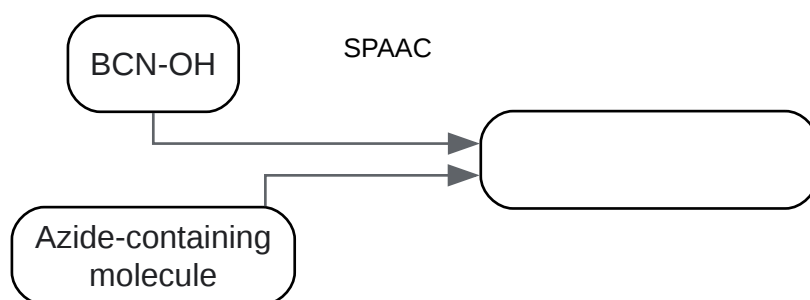
- HPLC-MS/MS: This is the most common method for analyzing the degradation of the compound.
  - Column: A C18 reverse-phase column is typically used.[3]
  - Mobile Phase: A gradient of water and acetonitrile containing a small amount of formic acid (e.g., 0.1%) is often employed for optimal separation and ionization.[3]

- Detection: Monitor the disappearance of the parent compound and the appearance of any degradation products using both UV and mass spectrometry detectors.[3]

#### 5. Data Analysis:

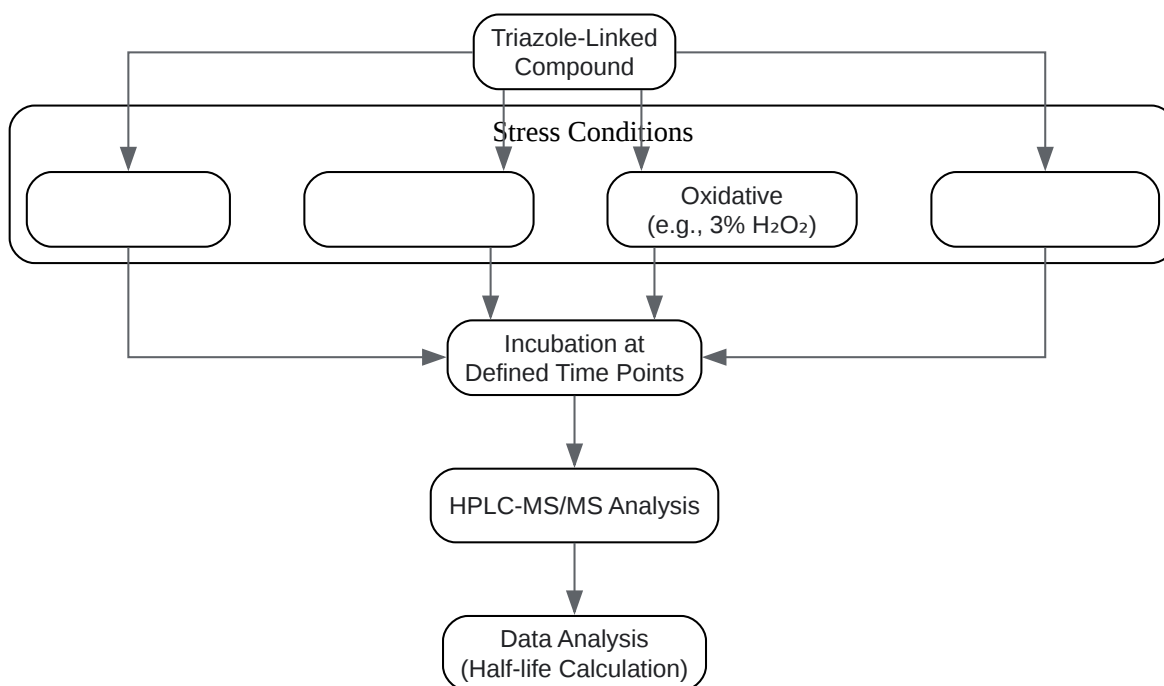
- Plot the percentage of the intact compound remaining against time for each stress condition. [3]
- If applicable, calculate the degradation rate constant and the half-life ( $t_{1/2}$ ) of the triazole linkage under each condition.[3]

## Mandatory Visualization



[Click to download full resolution via product page](#)

Caption: **BCN-OH** reacts with an azide via SPAAC to form a stable triazole.



[Click to download full resolution via product page](#)

Caption: Workflow for assessing the stability of triazole linkages.

### Need Custom Synthesis?

BenchChem offers custom synthesis for rare earth carbides and specific isotopic labeling.

Email: [info@benchchem.com](mailto:info@benchchem.com) or [Request Quote Online](#).

## References

- 1. [Comparative Study of Click Handle Stability in Common Ligation Conditions - PMC \[pmc.ncbi.nlm.nih.gov\]](#)
- 2. [vectorlabs.com \[vectorlabs.com\]](#)
- 3. [benchchem.com \[benchchem.com\]](#)

- To cite this document: BenchChem. [Stability of Triazole Linkages from BCN-OH Reactions: A Comparative Guide]. BenchChem, [2026]. [Online PDF]. Available at: [<https://www.benchchem.com/product/b6226234/docs#stability-of-triazole-linkages-from-bcn-oh-reactions-a-comparative-guide>]

---

### Disclaimer & Data Validity:

The information provided in this document is for Research Use Only (RUO) and is strictly not intended for diagnostic or therapeutic procedures. While BenchChem strives to provide accurate protocols, we make no warranties, express or implied, regarding the fitness of this product for every specific experimental setup.

**Technical Support:** The protocols provided are for reference purposes. Unsure if this reagent suits your experiment?

**Need Industrial/Bulk Grade?** [Request Custom Synthesis Quote](#)

## BenchChem

Our mission is to be the trusted global source of essential and advanced chemicals, empowering scientists and researchers to drive progress in science and industry.

### Contact

Address: 3281 E Guasti Rd  
Ontario, CA 91761, United States  
Phone: (601) 213-4426  
Email: [info@benchchem.com](mailto:info@benchchem.com)

[Contact our Ph.D. Support Team for a compatibility check](#)