

Addressing ML297 variability in experimental results

Author: BenchChem Technical Support Team. **Date:** April 2026

Compound of Interest

Compound Name: ML 297

Cat. No.: B609137

[Get Quote](#)

Technical Support Center: ML297

This technical support center provides troubleshooting guidance and frequently asked questions (FAQs) to address potential variability in experimental results when working with ML297, a potent and selective activator of G-protein-coupled inwardly rectifying potassium (GIRK) channels.

Frequently Asked Questions (FAQs)

Q1: What is ML297 and what is its primary mechanism of action?

ML297 (also known as VU0456810) is a small molecule that acts as a potent and selective activator of GIRK (or Kir3) channels containing the GIRK1 subunit.^{[1][2][3]} It directly activates the channel, independent of G-protein signaling, by interacting with a binding site that requires the presence of the GIRK1 subunit.^{[4][5]} This activation leads to an outward potassium current, hyperpolarizing the cell membrane and reducing neuronal excitability.^[6]

Q2: I am not observing the expected effect of ML297 in my cells. What could be the reason?

There are several potential reasons for a lack of ML297 activity:

- **Incorrect GIRK Subunit Composition:** ML297 is highly selective for GIRK channels that contain the GIRK1 subunit.[5][7] It is most potent on heterotetramers of GIRK1/2 and shows reduced potency on GIRK1/3 and GIRK1/4 channels.[5] It is inactive on homomeric GIRK2 channels or GIRK2/3 heterotetramers.[1][5] Ensure your experimental system (cell line or tissue) expresses the GIRK1 subunit.
- **Suboptimal Compound Concentration:** The effective concentration of ML297 can vary depending on the experimental setup and the specific GIRK subunit combination. While the EC50 is in the nanomolar range for GIRK1/2, a maximal response is often observed at concentrations up to 10 μM . [4][5] Consider performing a dose-response curve to determine the optimal concentration for your system.
- **Compound Stability and Solubility:** Ensure that ML297 is properly dissolved and stored. It is soluble in DMSO and ethanol.[8] Stock solutions should be stored at -20°C or -80°C as recommended by the supplier.[1] Repeated freeze-thaw cycles should be avoided.
- **Presence of Channel Blockers:** The effects of ML297 can be inhibited by non-selective inward-rectifying potassium channel blockers such as barium.[5] Check your experimental solutions for any potential interfering substances.

Q3: The potency (EC50) of ML297 in my experiments differs from published values. Why might this be?

Variability in EC50 values can arise from several factors:

- **Assay Method:** Different experimental techniques can yield different potency values. For example, thallium flux assays and whole-cell voltage-clamp electrophysiology may produce slightly different EC50 values.[5]
- **Cellular Context:** The specific cell line or neuron type used can influence the observed potency. The expression levels of GIRK subunits, the presence of regulatory proteins, and the membrane lipid composition (specifically PIP2, which is required for ML297 activity) can all play a role.[4]
- **Experimental Conditions:** Factors such as the extracellular potassium concentration, temperature, and pH can affect channel gating and, consequently, the apparent potency of ML297.

Q4: Are there any known off-target effects of ML297?

ML297 is generally considered highly selective for GIRK1-containing channels.[2][5] However, at high concentrations (around 10 μM), some modest activity has been reported at the 5-HT_{2b} receptor, the sigma σ_1 receptor, and the GABA_A receptor.[5] It has also been shown to partially inhibit the hERG potassium channel with low potency (IC₅₀ ~10 μM).[5] If you are working at the higher end of the concentration range, it is important to consider these potential off-target effects.

Troubleshooting Guides

Problem: Inconsistent Results in Cell-Based Assays

Potential Cause	Troubleshooting Step
Cell Line Inconsistency	Verify the expression of the GIRK1 subunit in your cell line using techniques like Western blot or qPCR. If possible, use a cell line with confirmed GIRK1/2 expression.
Variable Passage Number	High passage numbers can lead to phenotypic drift in cell lines. Use cells within a defined low passage number range for all experiments.
Inconsistent Plating Density	Cell density can affect cellular health and receptor expression. Optimize and maintain a consistent cell plating density for all experiments.
Media and Supplement Variability	Use a consistent source and lot of cell culture media and supplements. Changes in serum or other components can impact cellular physiology.

Problem: Unexpected In Vivo Efficacy or Behavior

Potential Cause	Troubleshooting Step
Route of Administration	The pharmacokinetic profile of ML297 can vary with the route of administration. Intraperitoneal (i.p.) injection is a common method used in published studies.[1][2]
Vehicle Formulation	Ensure ML297 is fully dissolved in a suitable vehicle for in vivo use. Common vehicles include solutions containing DMSO, PEG300, Tween-80, and saline, or corn oil.[1] The choice of vehicle can impact solubility and bioavailability.
Animal Strain and Sex	Different animal strains or sexes may exhibit varied responses to pharmacological agents. Be consistent with the animal model used.
Metabolism and Brain Penetration	While ML297 is brain penetrant, its metabolic stability can be a factor.[2] Consider the timing of your behavioral or physiological measurements relative to the time of administration.

Data Presentation

Table 1: In Vitro Potency of ML297 on Different GIRK Subunit Combinations

GIRK Subunit Composition	Assay Type	Reported EC50/IC50	Reference
GIRK1/2	Thallium Flux	160 nM	[5]
GIRK1/2	Whole-Cell Electrophysiology	233 ± 38 nM	[4]
GIRK1/3	Thallium Flux	914 nM	
GIRK1/4	Thallium Flux	887 nM	
GIRK2	Thallium Flux	Inactive	[5]
GIRK2/3	Thallium Flux	Inactive	[1][5]
Kir2.1	Thallium Flux	Inactive	[5]
hERG	Radioligand Binding	~10 µM (IC50)	[5]

Table 2: In Vivo Experimental Parameters for ML297

Animal Model	Dosage	Route of Administration	Observed Effect	Reference
C57/BL6 Mice	60 mg/kg	Intraperitoneal (i.p.)	Prevention of pentylenetetrazol (PTZ)-induced convulsions	[1][5]
C57/BL6 Mice	60 mg/kg	Intraperitoneal (i.p.)	Increased latency to seizure in a maximal electroshock (MES) model	[5]
C57/BL6 Mice	30 mg/kg	Intraperitoneal (i.p.)	Decreased anxiety-related behavior	[9]

Experimental Protocols

General Protocol for In Vitro Cell-Based Assays (e.g., Thallium Flux):

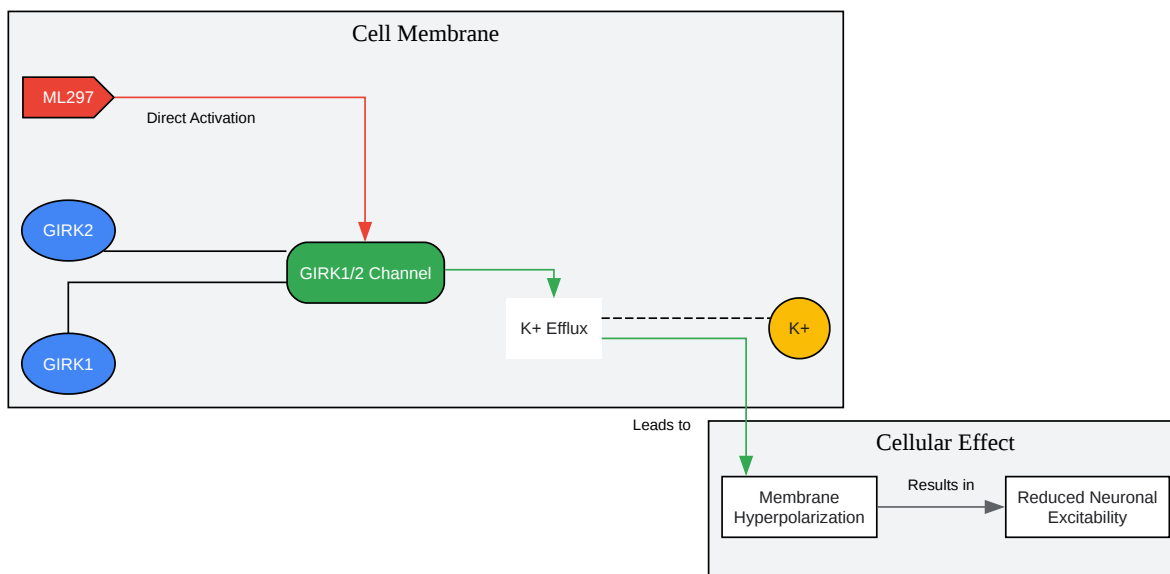
- **Cell Culture:** Culture HEK-293 cells stably expressing the desired GIRK channel subunits in appropriate media.
- **Cell Plating:** Plate cells in a 96-well or 384-well plate at a predetermined optimal density and allow them to adhere overnight.
- **Compound Preparation:** Prepare a stock solution of ML297 in DMSO. Create a serial dilution of ML297 in an appropriate assay buffer.
- **Assay Procedure:**
 - Wash the cells with assay buffer.
 - Add the diluted ML297 compounds to the cells and incubate for a specified period.
 - Add the thallium-containing solution and a fluorescent dye that is sensitive to intracellular thallium concentration.
 - Measure the fluorescence signal over time using a plate reader.
- **Data Analysis:** Normalize the fluorescence data and fit to a dose-response curve to determine the EC50.

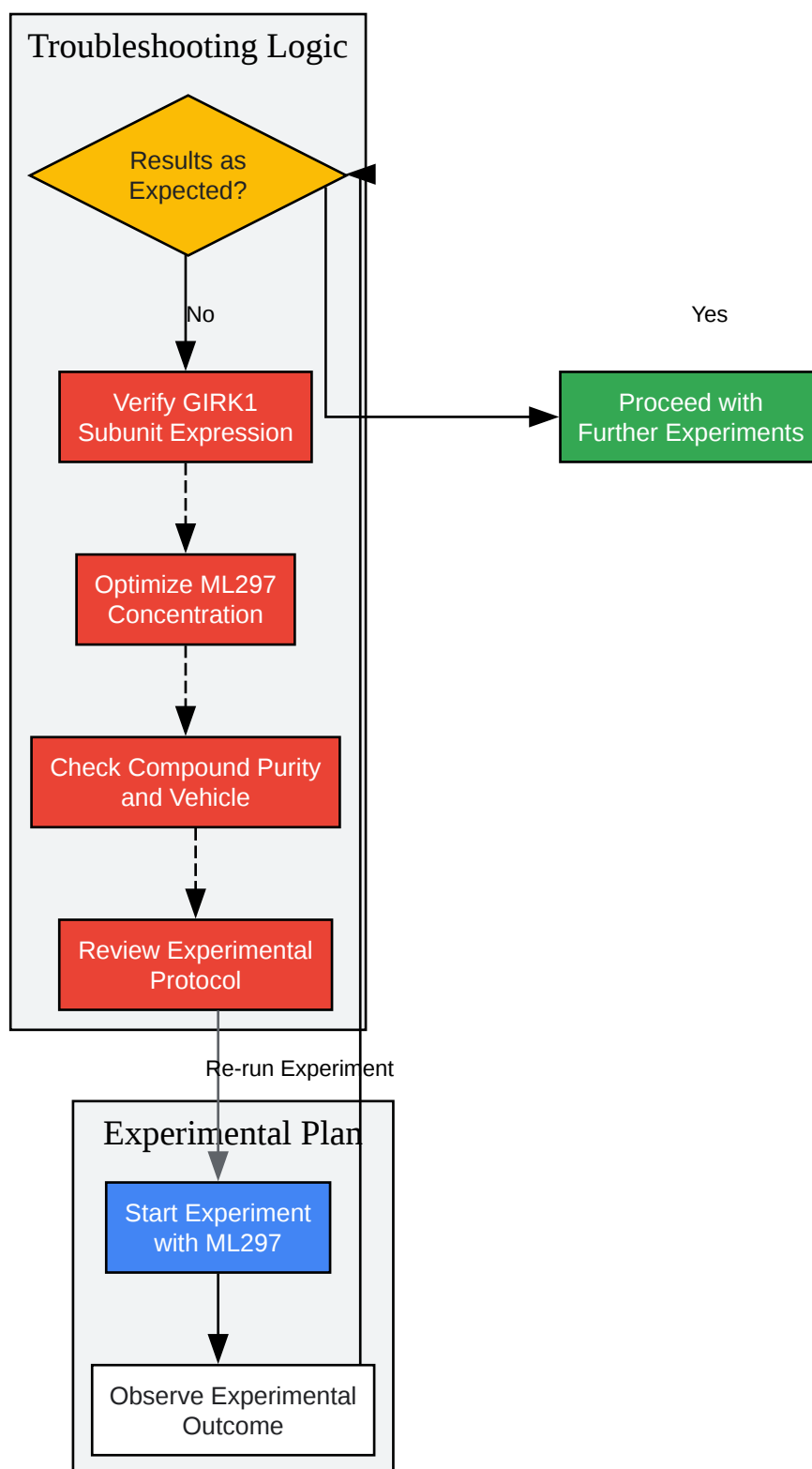
General Protocol for In Vivo Anticonvulsant Studies in Mice:

- **Animal Acclimation:** Acclimate male C57/BL6 mice to the housing and handling conditions for at least one week prior to the experiment.
- **Compound Preparation:** Prepare ML297 in a vehicle suitable for intraperitoneal injection (e.g., 10% DMSO, 40% PEG300, 5% Tween-80, 45% saline).
- **Administration:** Administer ML297 or vehicle control via intraperitoneal injection at a volume of 10 mL/kg.

- Seizure Induction (PTZ Model): At a specified time post-ML297 administration (e.g., 30 minutes), administer a convulsant dose of pentylenetetrazol (PTZ).
- Observation: Observe the animals for a set period (e.g., 30 minutes) and record the latency to and incidence of seizures and mortality.
- Data Analysis: Compare the effects of ML297 treatment to the vehicle control group using appropriate statistical methods.

Visualizations





[Click to download full resolution via product page](#)

Need Custom Synthesis?

BenchChem offers custom synthesis for rare earth carbides and specific isotopic labeling.

Email: info@benchchem.com or [Request Quote Online](#).

References

- [1. medchemexpress.com \[medchemexpress.com\]](https://www.medchemexpress.com)
- [2. Small Molecule-GIRK Potassium Channel Modulators That Are Anxiolytic Therapeutics | Center for Technology Transfer & Commercialization \[legacy.cttc.co\]](#)
- [3. pubs.acs.org \[pubs.acs.org\]](https://pubs.acs.org)
- [4. Mechanisms underlying the activation of G-protein-gated inwardly rectifying K+ \(GIRK\) channels by the novel anxiolytic drug, ML297 - PMC \[pmc.ncbi.nlm.nih.gov\]](#)
- [5. ML297 \(VU0456810\), the First Potent and Selective Activator of the GIRK Potassium Channel, Displays Antiepileptic Properties in Mice - PMC \[pmc.ncbi.nlm.nih.gov\]](#)
- [6. catalog.lib.kyushu-u.ac.jp \[catalog.lib.kyushu-u.ac.jp\]](https://catalog.lib.kyushu-u.ac.jp)
- [7. Mechanisms underlying the activation of G-protein-gated inwardly rectifying K+ \(GIRK\) channels by the novel anxiolytic drug, ML297 - PubMed \[pubmed.ncbi.nlm.nih.gov\]](#)
- [8. rndsystems.com \[rndsystems.com\]](https://www.rndsystems.com)
- [9. pnas.org \[pnas.org\]](https://www.pnas.org)
- To cite this document: BenchChem. [Addressing ML297 variability in experimental results]. BenchChem, [2026]. [Online PDF]. Available at: [\[https://www.benchchem.com/product/b609137/docs#addressing-ml297-variability-in-experimental-results\]](https://www.benchchem.com/product/b609137/docs#addressing-ml297-variability-in-experimental-results)

Disclaimer & Data Validity:

The information provided in this document is for Research Use Only (RUO) and is strictly not intended for diagnostic or therapeutic procedures. While BenchChem strives to provide accurate protocols, we make no warranties, express or implied, regarding the fitness of this product for every specific experimental setup.

Technical Support: The protocols provided are for reference purposes. Unsure if this reagent suits your experiment?

Need Industrial/Bulk Grade? [Request Custom Synthesis Quote](#)

BenchChem

Our mission is to be the trusted global source of essential and advanced chemicals, empowering scientists and researchers to drive progress in science and industry.

Contact

Address: 3281 E Guasti Rd
Ontario, CA 91761, United States
Phone: (601) 213-4426
Email: info@benchchem.com

[Contact our Ph.D. Support Team for a compatibility check](#)