

Addressing BMS-986142-related cytotoxicity in experiments

Author: BenchChem Technical Support Team. **Date:** April 2026

Compound of Interest

Compound Name: BMS-986142
CAS No.: 1643368-58-4
Cat. No.: B606288

[Get Quote](#)

Technical Support Center: BMS-986142

This technical support center provides researchers, scientists, and drug development professionals with comprehensive guidance on addressing potential cytotoxicity related to the use of **BMS-986142** in experimental settings.

Frequently Asked Questions (FAQs)

Q1: What is **BMS-986142** and what is its primary mechanism of action?

A1: **BMS-986142** is a potent, highly selective, and reversible inhibitor of Bruton's tyrosine kinase (BTK).[1] BTK is a critical enzyme in the B-cell receptor (BCR) signaling pathway, which is essential for B-cell proliferation, differentiation, and survival. By inhibiting BTK, **BMS-986142** effectively blocks these downstream signaling events.[2]

Q2: What are the known off-target kinases for **BMS-986142**?

A2: **BMS-986142** is highly selective for BTK. In a kinase panel screen, only five other kinases (Tec, ITK, BLK, Txk, and BMX) were inhibited with less than 100-fold selectivity compared to

BTK.[1][3][4]

Q3: What are the reported cytotoxic effects of **BMS-986142** in clinical trials?

A3: In a phase 2 clinical trial for rheumatoid arthritis, the 350 mg dose of **BMS-986142** was discontinued due to instances of elevated liver enzymes.[5] Other serious adverse events reported, although not directly attributed to cytotoxicity in all cases, included angina pectoris and intestinal obstruction.[6]

Q4: How should I prepare and store **BMS-986142** for in vitro experiments?

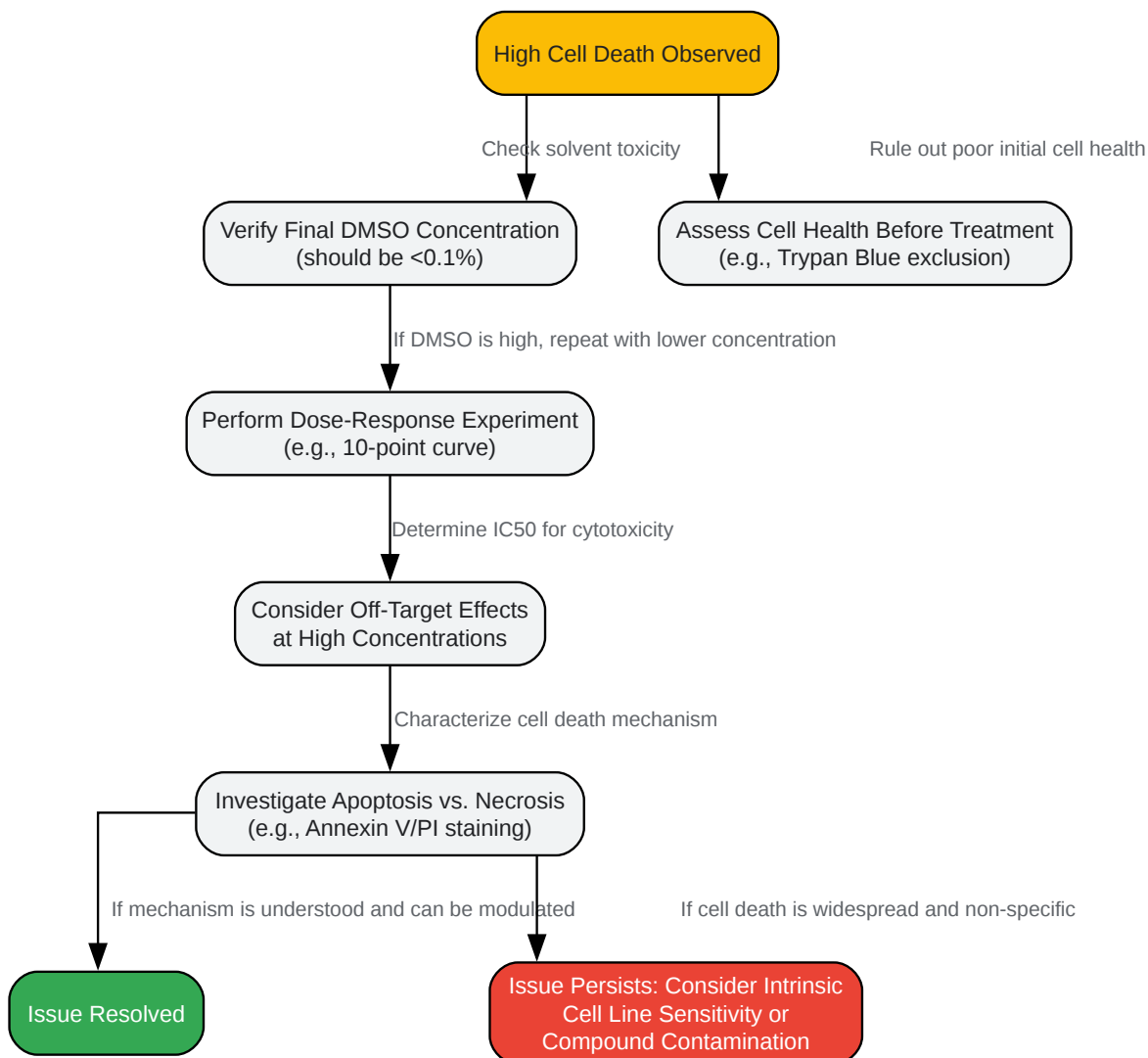
A4: **BMS-986142** is soluble in DMSO at concentrations greater than 50 mM. For stock solutions, it is recommended to dissolve the compound in anhydrous DMSO.[2] Stock solutions should be aliquoted and stored at -20°C or -80°C to maintain stability and avoid repeated freeze-thaw cycles.[2][3] The compound is reported to be insoluble in water and ethanol.[2]

Troubleshooting Guide: **BMS-986142**-Related Cytotoxicity

This guide addresses specific issues that may be encountered during experiments with **BMS-986142**.

Issue 1: Unexpectedly high levels of cell death in my culture.

- Question: I'm observing significant cytotoxicity in my cell line, even at concentrations where I expect to see only BTK inhibition. What could be the cause?
- Answer: Unexpected cell death can arise from several factors. Here is a workflow to troubleshoot this issue:



[Click to download full resolution via product page](#)

Caption: Troubleshooting workflow for unexpected cell death. (Within 100 characters)

Issue 2: Observing signs of hepatotoxicity in in vivo models or liver-derived cell lines.

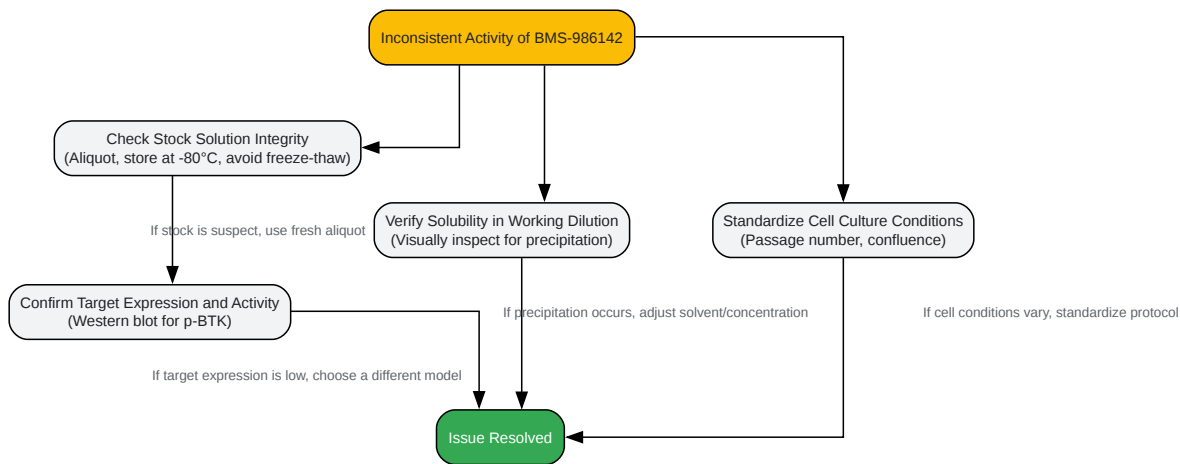
- Question: My in vivo study shows elevated liver enzymes, or my hepatocyte cultures are dying after treatment with **BMS-986142**. How can I investigate this?
- Answer: Elevated liver enzymes were observed in clinical trials at higher doses of **BMS-986142**.^[5] The mechanisms of BTK inhibitor-induced hepatotoxicity are thought to involve

the formation of reactive metabolites by cytochrome P450 enzymes, oxidative stress, and mitochondrial dysfunction.[7][8]

- For in vitro models:
 - Use appropriate cell models: Primary human hepatocytes (PHHs) are the gold standard, but cell lines like HepG2 and HepaRG can also be used. Note that HepG2 cells have low CYP activity, which may not fully recapitulate metabolic bioactivation.[7]
 - Assess mitochondrial function: Use assays to measure mitochondrial membrane potential (e.g., JC-1 staining) and reactive oxygen species (ROS) production (e.g., DCFDA staining).
 - Measure ATP levels: A decrease in intracellular ATP can indicate mitochondrial toxicity.

Issue 3: Inconsistent results or loss of inhibitory activity.

- Question: The inhibitory effect of **BMS-986142** seems to vary between experiments. What could be the reason?
- Answer: Inconsistent results can be due to issues with compound stability, solubility, or experimental setup.



[Click to download full resolution via product page](#)

Caption: Troubleshooting inconsistent inhibitor activity. (Within 100 characters)

Quantitative Data Summary

Table 1: In Vitro Inhibitory Activity of **BMS-986142**

Target/Assay	Cell Line/System	IC50 (nM)
BTK (enzymatic assay)	Recombinant Human BTK	0.5[1][3]
TEC	Recombinant Human TEC	10[3]
ITK	Recombinant Human ITK	15[3]
BLK	Recombinant Human BLK	23[3]
TXK	Recombinant Human TXK	28[3]
BMX	Recombinant Human BMX	32[3]
BCR-stimulated CD69 expression	Human Whole Blood	90
BCR-stimulated Calcium Flux	Ramos B-cells	9[1]
FcγR-stimulated TNF-α production	Human PBMC	3[9]
FcγR-stimulated IL-6 production	Human PBMC	4[9]

Experimental Protocols

Protocol 1: Cell Viability Assessment using PrestoBlue™ Reagent

This protocol is suitable for suspension cells (e.g., lymphocytes, leukemia cell lines).

- Materials:
 - PrestoBlue™ Cell Viability Reagent
 - 96-well clear-bottom black plates
 - Cell culture medium
 - **BMS-986142** stock solution (in DMSO)
 - Phosphate-buffered saline (PBS)

- Procedure:
 - Seed cells at a predetermined optimal density (e.g., 2×10^4 to 1×10^5 cells/well) in 90 μL of culture medium in a 96-well plate.
 - Prepare serial dilutions of **BMS-986142** in culture medium from your DMSO stock. Add 10 μL of the diluted compound to the respective wells. The final DMSO concentration should not exceed 0.1%. Include vehicle-only (DMSO) controls.
 - Incubate the plate for the desired treatment duration (e.g., 24, 48, or 72 hours) at 37°C in a humidified CO₂ incubator.
 - Add 10 μL of PrestoBlue™ reagent to each well.
 - Incubate for 1 to 4 hours at 37°C, protected from light.
 - Measure fluorescence with excitation at 560 nm and emission at 590 nm using a plate reader.
- Data Analysis:
 - Subtract the average fluorescence of the no-cell control wells from all other wells.
 - Calculate cell viability as a percentage of the vehicle-treated control cells.
 - Plot the percentage of viability against the log of the **BMS-986142** concentration to determine the IC50 value.

Protocol 2: Apoptosis Detection using Annexin V and Propidium Iodide (PI) Staining

- Materials:
 - Annexin V-FITC Apoptosis Detection Kit (containing Annexin V-FITC, PI, and binding buffer)
 - Cold PBS
 - Flow cytometer

- Procedure:
 - Treat cells with **BMS-986142** at the desired concentrations for the specified time. Include untreated and vehicle-treated controls.
 - Harvest cells (for suspension cells, by centrifugation at 300 x g for 5 minutes).
 - Wash the cells twice with cold PBS and resuspend the cell pellet in 1X binding buffer to a concentration of approximately 1×10^6 cells/mL.
 - Transfer 100 μ L of the cell suspension to a flow cytometry tube.
 - Add 5 μ L of Annexin V-FITC and 5 μ L of PI to the cell suspension.
 - Gently vortex and incubate for 15 minutes at room temperature in the dark.
 - Add 400 μ L of 1X binding buffer to each tube.
 - Analyze the samples by flow cytometry within one hour.
- Data Interpretation:
 - Annexin V-negative / PI-negative: Live cells
 - Annexin V-positive / PI-negative: Early apoptotic cells
 - Annexin V-positive / PI-positive: Late apoptotic/necrotic cells
 - Annexin V-negative / PI-positive: Necrotic cells

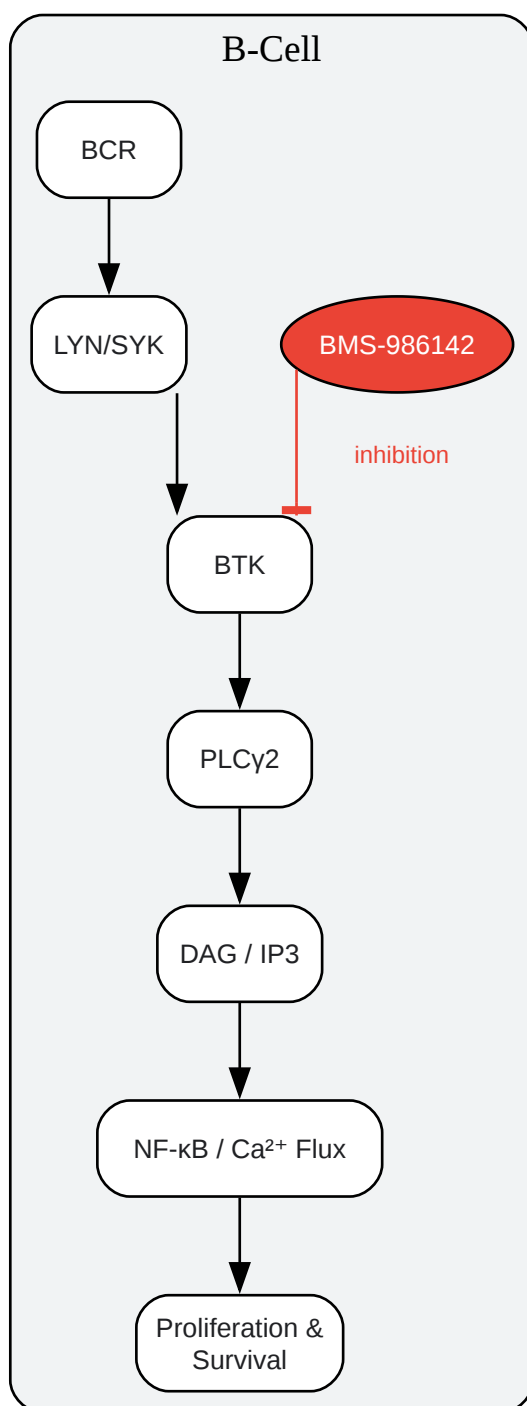
Protocol 3: Caspase-3/7 Activity Assay

This protocol uses a luminogenic substrate to measure caspase-3 and -7 activity.

- Materials:
 - Caspase-Glo® 3/7 Assay Kit
 - White-walled 96-well plates suitable for luminescence measurements

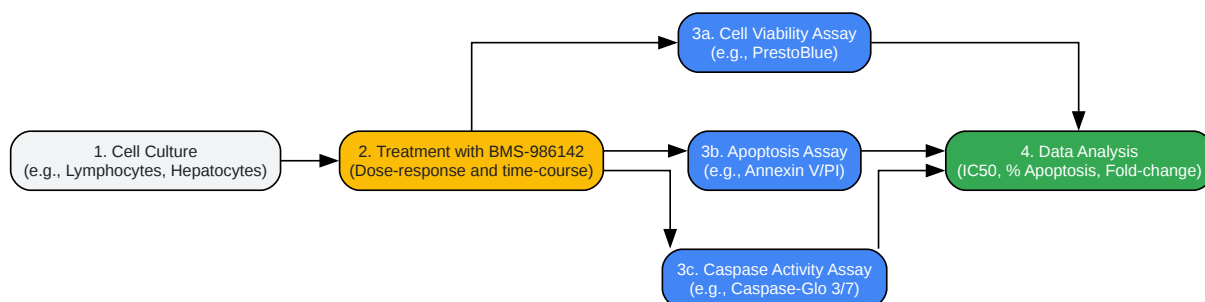
- Procedure:
 - Plate cells and treat with **BMS-986142** as described in Protocol 1.
 - After the treatment period, allow the plate to equilibrate to room temperature.
 - Prepare the Caspase-Glo® 3/7 Reagent according to the manufacturer's instructions.
 - Add a volume of Caspase-Glo® 3/7 Reagent equal to the volume of cell culture medium in each well (e.g., 100 μ L of reagent to 100 μ L of medium).[5]
 - Mix the contents of the wells by gentle shaking on a plate shaker for 30-60 seconds.
 - Incubate at room temperature for 1 to 3 hours, protected from light.
 - Measure the luminescence using a plate-reading luminometer.
- Data Analysis:
 - Subtract the average luminescence from the no-cell control wells.
 - Express caspase activity as a fold-change relative to the vehicle-treated control.

Signaling Pathway and Experimental Workflow Diagrams



[Click to download full resolution via product page](#)

Caption: Simplified BTK signaling pathway and the inhibitory action of **BMS-986142**. (Within 100 characters)



[Click to download full resolution via product page](#)

Need Custom Synthesis?

BenchChem offers custom synthesis for rare earth carbides and specific isotopic labeling.

Email: info@benchchem.com or [Request Quote Online](#).

References

- [1. selleckchem.com](https://www.selleckchem.com) [selleckchem.com]
- [2. benchchem.com](https://www.benchchem.com) [benchchem.com]
- [3. medchemexpress.com](https://www.medchemexpress.com) [medchemexpress.com]
- [4. BMS-986142 | BTK | TargetMol](https://www.targetmol.com) [targetmol.com]
- [5. promega.com](https://www.promega.com) [promega.com]
- [6. \(PDF\) In Vitro Assessment of Drug-Induced Liver Injury Using Cell-Based Models: A Review \(2023\) | I. A. Mazerkina](#) [scispace.com]
- [7. Zanubrutinib-induced liver injury: a case report and literature review - PMC](#) [pmc.ncbi.nlm.nih.gov]
- [8. d-nb.info](https://d-nb.info) [d-nb.info]
- [9. In Vitro Models for Studying Chronic Drug-Induced Liver Injury - PMC](#) [pmc.ncbi.nlm.nih.gov]

- To cite this document: BenchChem. [Addressing BMS-986142-related cytotoxicity in experiments]. BenchChem, [2026]. [Online PDF]. Available at: [<https://www.benchchem.com/product/b606288/docs#addressing-bms-986142-related-cytotoxicity-in-experiments>]

Disclaimer & Data Validity:

The information provided in this document is for Research Use Only (RUO) and is strictly not intended for diagnostic or therapeutic procedures. While BenchChem strives to provide accurate protocols, we make no warranties, express or implied, regarding the fitness of this product for every specific experimental setup.

Technical Support: The protocols provided are for reference purposes. Unsure if this reagent suits your experiment?

Need Industrial/Bulk Grade? [Request Custom Synthesis Quote](#)

BenchChem

Our mission is to be the trusted global source of essential and advanced chemicals, empowering scientists and researchers to drive progress in science and industry.

Contact

Address: 3281 E Guasti Rd
Ontario, CA 91761, United States
Phone: (601) 213-4426
Email: info@benchchem.com

[Contact our Ph.D. Support Team for a compatibility check](#)