

Pheneturide Versus Phenytoin: A Comparative Efficacy Guide in Seizure Models

Author: BenchChem Technical Support Team. **Date:** April 2026

Compound of Interest

Compound Name: *Pheneturide*

CAS No.: *67865-68-3*

Cat. No.: *B554442*

[Get Quote](#)

For Researchers, Scientists, and Drug Development Professionals

This guide provides an objective comparison of the anticonvulsant efficacy of **pheneturide** and phenytoin, drawing upon available preclinical and clinical data. While direct, head-to-head preclinical studies quantifying the potency of **pheneturide** in standardized seizure models are scarce in publicly available literature, this document synthesizes existing knowledge to offer a comparative overview for research and drug development purposes.

Executive Summary

Phenytoin is a well-established anticonvulsant with a primary mechanism of action involving the blockade of voltage-gated sodium channels. Its efficacy in preclinical models of generalized tonic-clonic seizures, such as the Maximal Electroshock (MES) test, is well-documented.

Pheneturide, an older anticonvulsant of the ureide class, is believed to exert its effects through multiple pathways, including enhancement of GABAergic inhibition and modulation of ion channels. Clinical evidence suggests that **pheneturide** has an efficacy comparable to that of phenytoin in controlling seizures in patients with epilepsy. However, a lack of robust preclinical data for **pheneturide** limits a direct quantitative comparison of potency in animal models.

Data Presentation: Preclinical and Clinical Efficacy

Due to the limited availability of quantitative preclinical data for **pheneturide**, this section presents the available data for phenytoin and contextualizes it with clinical comparative data.

Table 1: Preclinical Efficacy of Phenytoin in the Maximal Electroshock (MES) Seizure Model

| Animal Model | Test | ED ₅₀ (mg/kg) |
|--------------|------|--------------------------|
| Mouse | MES | 9.87 ± 0.86[1] |

ED₅₀ (Median Effective Dose): The dose of a drug that is effective in 50% of the tested animals.

MES (Maximal Electroshock Seizure) Test: A primary screening model for anticonvulsants effective against generalized tonic-clonic seizures.

Clinical Comparison

A double-blind, cross-over clinical trial involving ninety-four outpatients with epilepsy found no significant difference in the frequency of seizures between those treated with **pheneturide** and those treated with phenytoin. This suggests a comparable clinical efficacy between the two anticonvulsants in a patient population.

Mechanisms of Action

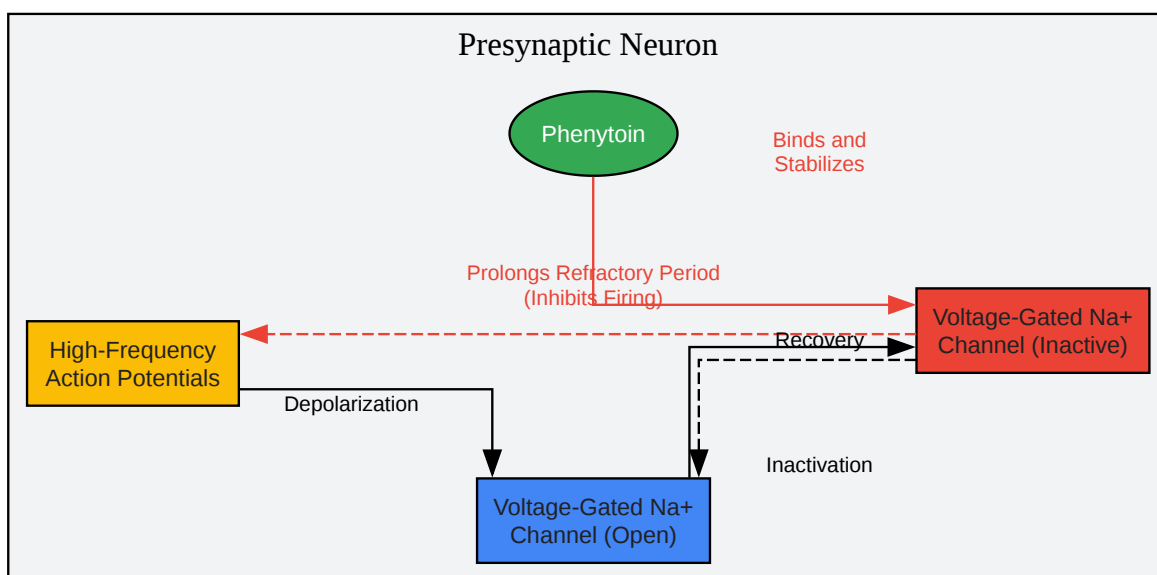
The anticonvulsant properties of **pheneturide** and phenytoin are attributed to their distinct effects on neuronal excitability.

Phenytoin: The primary mechanism of action for phenytoin is the blockade of voltage-gated sodium channels.[1] By binding to these channels in their inactive state, phenytoin slows their recovery, thereby reducing the ability of neurons to fire at high frequencies, a characteristic of seizure activity.

Pheneturide: The mechanism of action for **pheneturide** is thought to be multi-faceted. It is believed to enhance the inhibitory effects of the neurotransmitter gamma-aminobutyric acid (GABA).[2][3] Additionally, it may modulate voltage-gated sodium and calcium channels, further contributing to the stabilization of neuronal membranes and a reduction in hyperexcitability.[3]

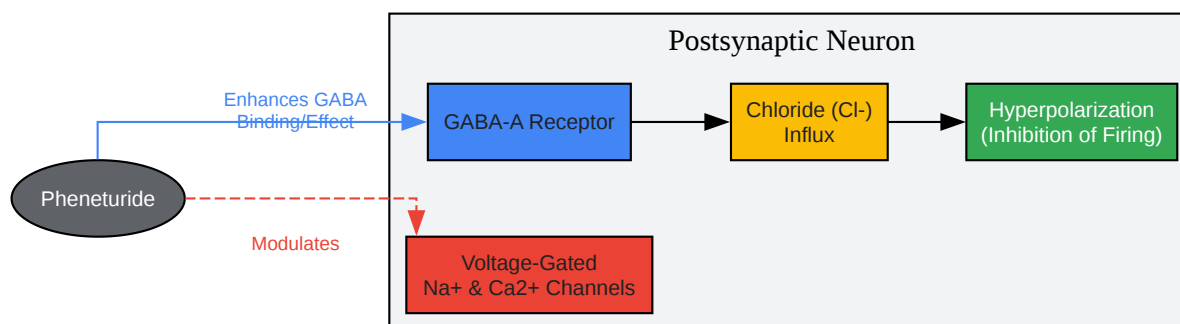
Pheneturide has also been noted to inhibit the metabolism of other anticonvulsants, including phenytoin, which can increase their plasma levels.

Signaling Pathway Diagrams



[Click to download full resolution via product page](#)

Mechanism of Action of Phenytoin.



[Click to download full resolution via product page](#)

Proposed Mechanism of Action of **Pheneturide**.

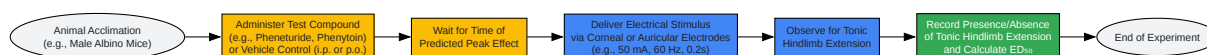
Experimental Protocols

The following are detailed methodologies for key experiments used to evaluate the anticonvulsant profiles of compounds like **pheneturide** and phenytoin.

Maximal Electroshock (MES) Seizure Test

Objective: To assess the ability of a compound to prevent the tonic hindlimb extension phase of a maximal seizure induced by electrical stimulation. This test is a model for generalized tonic-clonic seizures.

Experimental Workflow Diagram:



[Click to download full resolution via product page](#)

Workflow for the Maximal Electroshock (MES) seizure test.

Methodology:

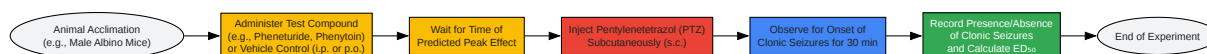
- Animals: Male albino mice (e.g., CD-1 strain) weighing 20-30g are commonly used.
- Drug Administration: Test compounds, vehicle control, and reference anticonvulsants are administered intraperitoneally (i.p.) or orally (p.o.). A range of doses is used to establish a dose-response relationship.
- Electrical Stimulation: At the time of the predicted peak effect of the drug, a maximal seizure is induced via corneal or auricular electrodes. A constant current stimulus (e.g., 50 mA for mice) at a high frequency (e.g., 60 Hz) is delivered for a short duration (e.g., 0.2 seconds).
- Endpoint: The primary endpoint is the abolition of the tonic hindlimb extension phase of the seizure. An animal is considered protected if it does not exhibit this response.

- **Data Analysis:** The number of animals protected at each dose level is recorded, and the median effective dose (ED_{50}), the dose that protects 50% of the animals, is calculated using probit analysis.

Pentylentetrazol (PTZ) Seizure Test

Objective: To assess the ability of a compound to prevent or delay the onset of clonic seizures induced by the chemical convulsant pentylentetrazol. This test is a model for myoclonic and absence seizures.

Experimental Workflow Diagram:



[Click to download full resolution via product page](#)

Workflow for the Pentylentetrazol (PTZ) seizure test.

Methodology:

- **Animals:** Similar to the MES test, male albino mice are typically used.
- **Drug Administration:** The test compound, vehicle, or reference drug is administered at various doses.
- **PTZ Administration:** At the time of the predicted peak effect of the drug, a convulsant dose of pentylentetrazol (e.g., 85 mg/kg) is injected subcutaneously.
- **Observation:** Animals are observed for a set period (e.g., 30 minutes) for the onset of characteristic seizure behaviors, primarily generalized clonic seizures. The latency to the first clonic seizure and the presence or absence of seizures are recorded.
- **Endpoint:** Protection is defined as the absence of a generalized clonic seizure during the observation period.

- Data Analysis: The ED₅₀ is calculated based on the percentage of animals protected at each dose level.

Conclusion

Phenytoin demonstrates clear efficacy in the MES model, a preclinical indicator of effectiveness against generalized tonic-clonic seizures. While quantitative preclinical data for **pheneturide** is limited, clinical findings suggest its efficacy is comparable to that of phenytoin in patients with epilepsy. The proposed multi-target mechanism of action for **pheneturide**, involving both GABAergic and ion channel modulation, provides a rationale for its anticonvulsant activity. Further preclinical studies are warranted to fully elucidate the comparative potency and efficacy profile of **pheneturide** in standardized seizure models.

Need Custom Synthesis?

BenchChem offers custom synthesis for rare earth carbides and specific isotopic labeling.

Email: info@benchchem.com or [Request Quote Online](#).

References

- [1. benchchem.com \[benchchem.com\]](https://www.benchchem.com)
- [2. Pheneturide | 90-49-3 | Benchchem \[benchchem.com\]](#)
- [3. What is the mechanism of Acetylpheneturide? \[synapse.patsnap.com\]](https://synapse.patsnap.com)
- To cite this document: BenchChem. [Pheneturide Versus Phenytoin: A Comparative Efficacy Guide in Seizure Models]. BenchChem, [2026]. [Online PDF]. Available at: [\[https://www.benchchem.com/product/b554442/docs#pheneturide-versus-phenytoin-a-comparative-efficacy-guide-in-seizure-models\]](https://www.benchchem.com/product/b554442/docs#pheneturide-versus-phenytoin-a-comparative-efficacy-guide-in-seizure-models)

Disclaimer & Data Validity:

The information provided in this document is for Research Use Only (RUO) and is strictly not intended for diagnostic or therapeutic procedures. While BenchChem strives to provide accurate protocols, we make no warranties, express or implied, regarding the fitness of this product for every specific experimental setup.

Technical Support: The protocols provided are for reference purposes. Unsure if this reagent suits your experiment?

Need Industrial/Bulk Grade? [Request Custom Synthesis Quote](#)

BenchChem

Our mission is to be the trusted global source of essential and advanced chemicals, empowering scientists and researchers to drive progress in science and industry.

Contact

Address: 3281 E Guasti Rd
Ontario, CA 91761, United States
Phone: (601) 213-4426
Email: info@benchchem.com

[Contact our Ph.D. Support Team for a compatibility check](#)