

Technical Support Center: Assessing Potential Off-Target Effects of PBP10

Author: BenchChem Technical Support Team. **Date:** April 2026

Compound of Interest

Compound Name: PBP10

Cat. No.: B549409

[Get Quote](#)

This technical support center provides researchers, scientists, and drug development professionals with comprehensive guidance on assessing the potential off-target effects of **PBP10**, a selective formyl peptide receptor 2 (FPR2) inhibitor.^{[1][2]} This guide includes frequently asked questions (FAQs) and troubleshooting advice for common experimental challenges.

Frequently Asked Questions (FAQs)

Q1: What is **PBP10** and what is its primary target?

A1: **PBP10** is a cell-permeable, 10-amino acid peptide derived from the phosphoinositide-binding site of human plasma gelsolin.^{[1][3]} Its primary and well-characterized target is the Formyl Peptide Receptor 2 (FPR2), a G-protein coupled receptor involved in inflammatory responses.^{[1][2]} **PBP10** acts as a selective inhibitor of FPR2, showing less activity towards the related receptor FPR1.^{[1][4]}

Q2: Why is it important to assess the off-target effects of **PBP10**?

A2: While **PBP10** is designed to be a selective inhibitor, like any therapeutic candidate, it has the potential to interact with unintended molecular targets. These "off-target" interactions can

lead to unexpected biological effects, cellular toxicity, or a misinterpretation of experimental results.[5][6] A thorough assessment of off-target effects is crucial for ensuring the specificity of experimental findings and for the safety and efficacy evaluation in drug development.

Q3: What are the initial steps to investigate potential off-target effects of **PBP10**?

A3: A tiered approach is recommended:

- **In Silico Analysis:** Utilize computational tools to predict potential off-target interactions based on the peptide sequence and structure of **PBP10**. [5][7][8] This can provide a preliminary list of potential off-targets for experimental validation.
- **Dose-Response Analysis:** Conduct a detailed dose-response curve for the observed phenotype. A significant deviation between the cellular effective concentration and the biochemical IC50 for FPR2 may suggest off-target effects.
- **Control Compounds:** Employ a structurally distinct FPR2 inhibitor as a control. If this control does not replicate the phenotype observed with **PBP10**, it strengthens the possibility of off-target effects.

Q4: What experimental methods can be used to identify specific off-targets of **PBP10**?

A4: Several experimental strategies can be employed:

- **Target Profiling/Screening:** Screen **PBP10** against a broad panel of receptors, kinases, and other relevant protein families to identify direct interactions.
- **Affinity Chromatography-Mass Spectrometry:** Immobilize **PBP10** on a solid support to "pull down" interacting proteins from cell lysates, which are then identified by mass spectrometry.
- **Phenotypic Screening:** Utilize high-content imaging or other phenotypic assays to screen for unexpected cellular changes induced by **PBP10** across different cell types. [6]
- **Transcriptomic/Proteomic Analysis:** Perform RNA-sequencing or proteomic profiling of cells treated with **PBP10** to identify global changes in gene or protein expression that are inconsistent with FPR2 inhibition.

Troubleshooting Guide

Issue	Possible Cause	Suggested Solution
<p>Inconsistent or unexpected experimental results with PBP10</p>	<p>Potential off-target effects are interfering with the expected outcome.</p>	<p>1. Perform a thorough dose-response analysis to ensure you are using an appropriate concentration. 2. Use a structurally different FPR2 inhibitor to see if the effect is reproducible. 3. Validate target engagement to confirm PBP10 is interacting with FPR2 in your system.</p>
<p>Observed phenotype does not correlate with FPR2 expression levels</p>	<p>The phenotype may be driven by an off-target that is not expressed in the same pattern as FPR2.</p>	<p>1. Screen a panel of cell lines with varying FPR2 expression levels. 2. If the phenotype persists in FPR2-negative cells, it is likely an off-target effect. 3. Consider performing a knockdown of FPR2 to see if it abolishes the effect of PBP10.</p>
<p>High cellular toxicity observed at effective concentrations</p>	<p>PBP10 may have off-target cytotoxic effects.</p>	<p>1. Compare the cytotoxicity of PBP10 with other FPR2 inhibitors. 2. Assess cytotoxicity in cell lines lacking FPR2. 3. Perform assays to determine the mechanism of cell death (e.g., apoptosis vs. necrosis).</p>
<p>In silico predictions do not match experimental findings</p>	<p>Computational models have limitations and may not accurately predict all interactions.</p>	<p>1. Prioritize experimental validation of computationally predicted off-targets. 2. Use multiple prediction algorithms to cross-validate potential off-targets. 3. Remember that in silico data is predictive and</p>

requires experimental
confirmation.[5]

Experimental Protocols

Protocol 1: Cellular Thermal Shift Assay (CETSA) for Target Engagement

This protocol is designed to verify the direct binding of **PBP10** to its intended target, FPR2, in a cellular context.

Methodology:

- Cell Culture: Culture cells expressing FPR2 to 80-90% confluency.
- **PBP10** Treatment: Treat cells with the desired concentration of **PBP10** or a vehicle control for a specified time.
- Heating: Heat the cell lysates at a range of temperatures (e.g., 40-70°C) for 3 minutes.
- Protein Extraction: Lyse the cells and separate the soluble and aggregated protein fractions by centrifugation.
- Western Blot Analysis: Analyze the amount of soluble FPR2 in the supernatant by Western blotting using an FPR2-specific antibody.
- Data Analysis: Plot the amount of soluble FPR2 as a function of temperature. A shift in the melting curve to a higher temperature in the presence of **PBP10** indicates direct binding.

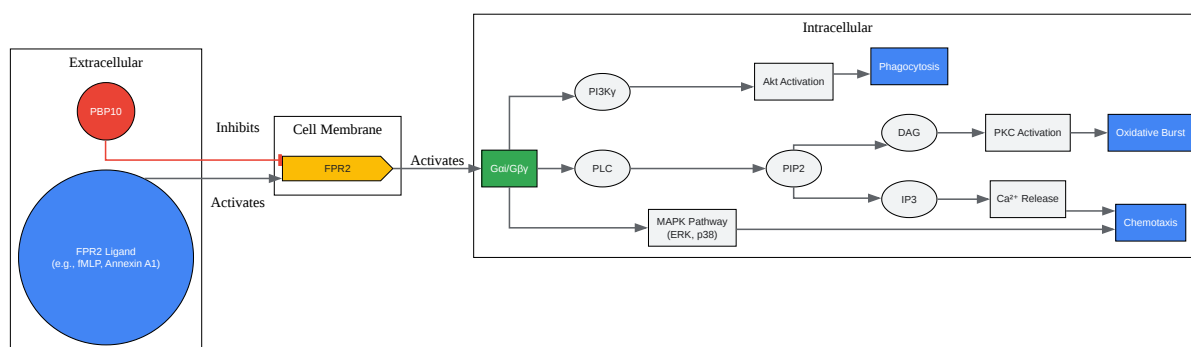
Protocol 2: Kinase Profiling to Identify Off-Target Kinase Interactions

This protocol outlines a general approach to screen **PBP10** against a panel of kinases to identify potential off-target interactions.

Methodology:

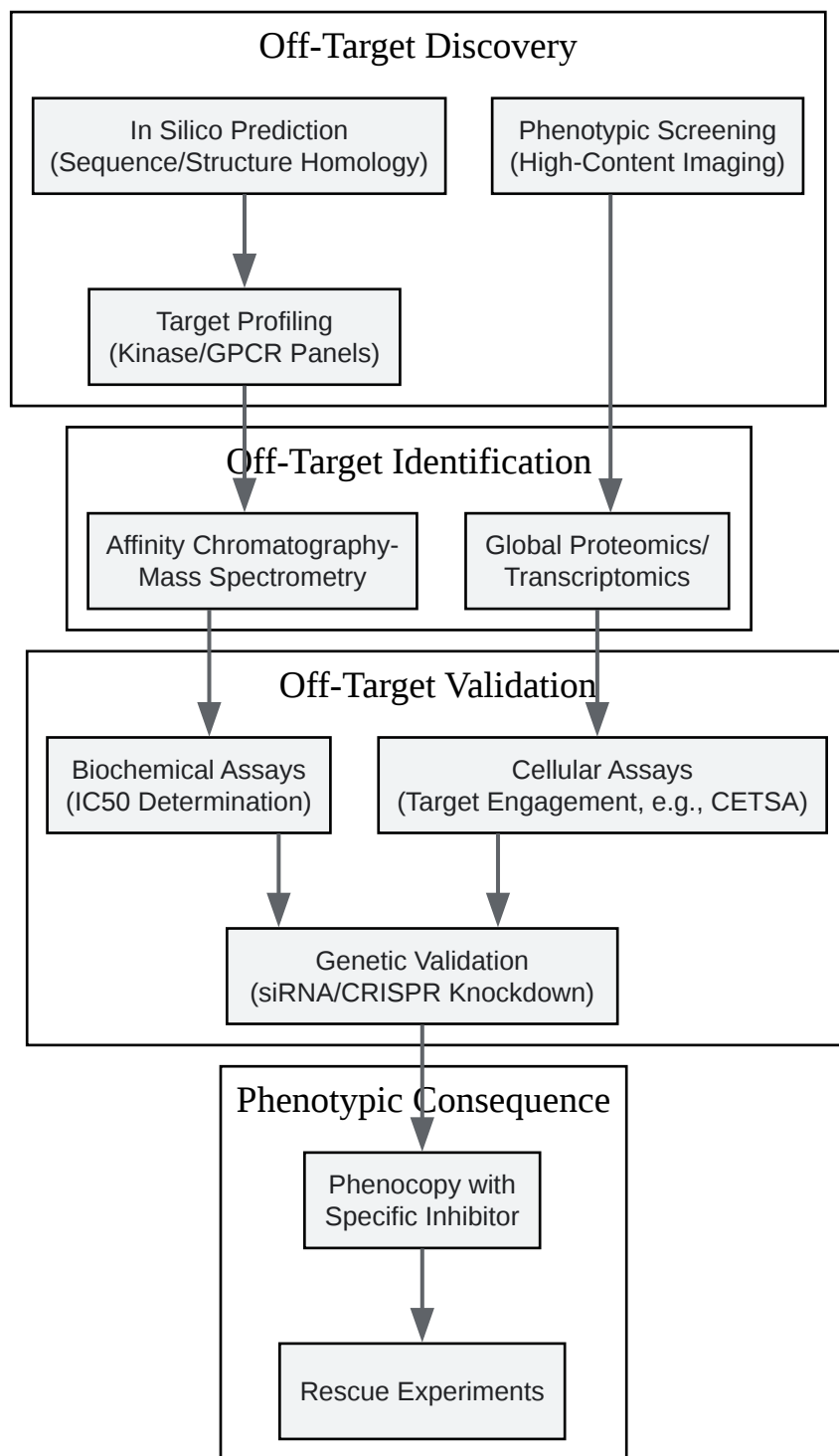
- Kinase Panel Selection: Choose a commercially available kinase profiling service or a panel of purified kinases relevant to your research area.
- Assay Format: Kinase activity is typically measured using radiometric assays (e.g., ^{33}P -ATP incorporation) or fluorescence-based assays.
- **PBP10** Screening: Screen **PBP10** at a fixed concentration (e.g., 10 μM) against the kinase panel.
- Data Analysis: Calculate the percent inhibition of each kinase by **PBP10**.
- Hit Confirmation: For any kinases showing significant inhibition, perform a dose-response analysis to determine the IC50 value.

Visualizations



[Click to download full resolution via product page](#)

Caption: FPR2 Signaling Pathway and **PBP10** Inhibition.



[Click to download full resolution via product page](#)

Caption: Experimental Workflow for Off-Target Assessment.

Need Custom Synthesis?

BenchChem offers custom synthesis for rare earth carbides and specific isotopic labeling.

Email: info@benchchem.com or [Request Quote Online](#).

References

- [1. medchemexpress.com \[medchemexpress.com\]](https://www.medchemexpress.com)
- [2. PBP10 TFA - Ace Therapeutics \[acetherapeutics.com\]](https://www.acetherapeutics.com)
- [3. researchgate.net \[researchgate.net\]](https://www.researchgate.net)
- [4. biorxiv.org \[biorxiv.org\]](https://www.biorxiv.org)
- [5. In silico off-target profiling for enhanced drug safety assessment - PMC \[pmc.ncbi.nlm.nih.gov\]](https://pubmed.ncbi.nlm.nih.gov/)
- [6. How can off-target effects of drugs be minimised? \[synapse.patsnap.com\]](https://www.synapse.patsnap.com)
- [7. Frontiers | Novel Computational Approach to Predict Off-Target Interactions for Small Molecules \[frontiersin.org\]](https://www.frontiersin.org)
- [8. PREDICTION OF OFF-TARGET DRUG EFFECTS THROUGH DATA FUSION - PMC \[pmc.ncbi.nlm.nih.gov\]](https://pubmed.ncbi.nlm.nih.gov/)
- To cite this document: BenchChem. [Technical Support Center: Assessing Potential Off-Target Effects of PBP10]. BenchChem, [2026]. [Online PDF]. Available at: [\[https://www.benchchem.com/product/b549409/docs#technical-support-center-assessing-potential-off-target-effects-of-pbp10\]](https://www.benchchem.com/product/b549409/docs#technical-support-center-assessing-potential-off-target-effects-of-pbp10)

Disclaimer & Data Validity:

The information provided in this document is for Research Use Only (RUO) and is strictly not intended for diagnostic or therapeutic procedures. While BenchChem strives to provide accurate protocols, we make no warranties, express or implied, regarding the fitness of this product for every specific experimental setup.

Technical Support: The protocols provided are for reference purposes. Unsure if this reagent suits your experiment?

Need Industrial/Bulk Grade? [Request Custom Synthesis Quote](#)

BenchChem

Our mission is to be the trusted global source of essential and advanced chemicals, empowering scientists and researchers to drive progress in science and industry.

Contact

Address: 3281 E Guasti Rd

Ontario, CA 91761, United States

Phone: (601) 213-4426

Email: info@benchchem.com

[Contact our Ph.D. Support Team for a compatibility check](#)