

The Role of RP101075 in Immune Modulation: A Technical Guide

Author: BenchChem Technical Support Team. **Date:** April 2026

Compound of Interest

Compound Name: RP101075
CAS No.: 1306760-73-5
Cat. No.: B3321049

[Get Quote](#)

For Researchers, Scientists, and Drug Development Professionals

Abstract

RP101075, the active metabolite of the sphingosine-1-phosphate (S1P) receptor modulator Ozanimod, has emerged as a potent and selective agonist for S1P receptor 1 (S1PR1) and S1P receptor 5 (S1PR5). This technical guide provides an in-depth overview of the role of **RP101075** in immune modulation, consolidating key preclinical data, experimental methodologies, and signaling pathways. By activating S1PR1, **RP101075** effectively sequesters lymphocytes within peripheral lymphoid organs, preventing their migration to sites of inflammation. This mechanism underlies its therapeutic potential in various autoimmune and inflammatory conditions. Furthermore, its interaction with S1PR5 suggests a role in modulating the function of oligodendrocytes and natural killer (NK) cells. This document aims to serve as a comprehensive resource for researchers and drug development professionals investigating the therapeutic applications of **RP101075**.

Introduction

Sphingosine-1-phosphate (S1P) is a critical signaling lipid that regulates a diverse array of cellular processes, including lymphocyte trafficking, endothelial barrier function, and neural cell survival, through its interaction with a family of five G protein-coupled receptors (S1PR1-5)[1][2]. Pharmacological modulation of S1P receptors has proven to be a successful strategy for the treatment of autoimmune diseases, most notably multiple sclerosis (MS)[3].

RP101075 is a potent and selective small molecule modulator of S1PR1 and S1PR5 and is the primary active metabolite of Ozanimod (RPC1063)[4][5]. Its high affinity and selectivity for S1PR1 are central to its primary mechanism of immune modulation: the reversible sequestration of lymphocytes in secondary lymphoid organs, thereby reducing the number of circulating lymphocytes available to infiltrate tissues and cause inflammation. This targeted immunomodulatory effect, coupled with a favorable cardiovascular safety profile, distinguishes **RP101075** as a promising therapeutic agent.

This guide will detail the molecular interactions, cellular effects, and preclinical efficacy of **RP101075**, with a focus on its role in modulating the immune response.

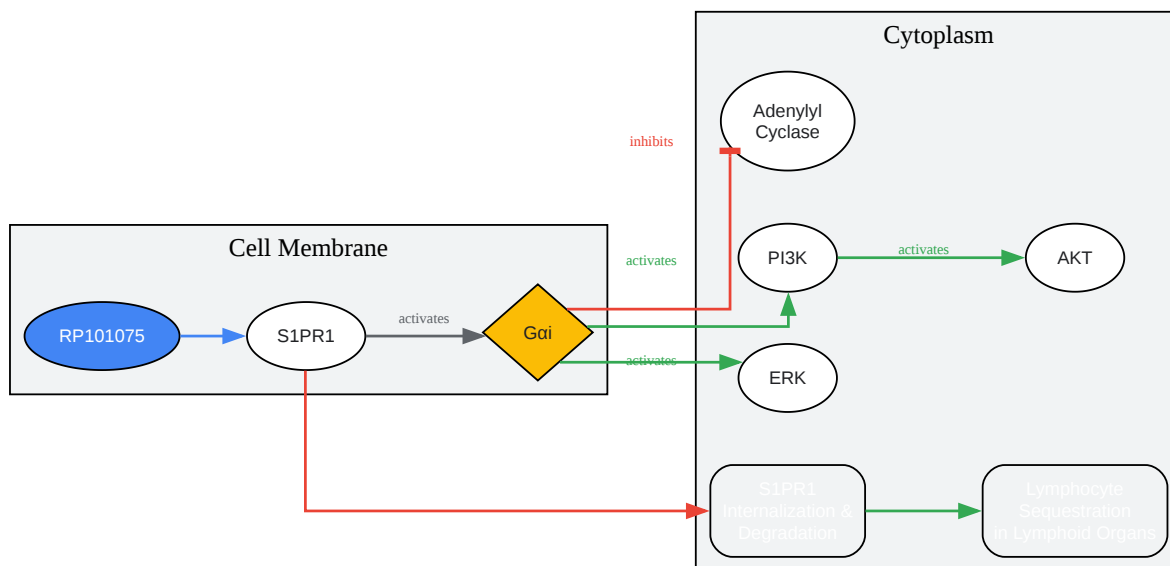
Mechanism of Action: S1P Receptor Signaling

RP101075 exerts its immunomodulatory effects primarily through its agonist activity at S1PR1 and S1PR5.

S1PR1 Signaling and Lymphocyte Sequestration

Activation of S1PR1 on lymphocytes by **RP101075** is the cornerstone of its immune-modulating activity. S1PR1 is coupled to the G α i inhibitory G protein. Upon binding of **RP101075**, the receptor signals through G α i, leading to the inhibition of adenylyl cyclase and the activation of downstream pathways, including the phosphatidylinositol 3-kinase (PI3K)-AKT and extracellular signal-regulated kinase (ERK) pathways.

This signaling cascade ultimately leads to the internalization and degradation of the S1PR1 receptor on the lymphocyte surface. Lymphocytes rely on sensing an S1P gradient between the low-S1P environment of lymphoid tissues and the high-S1P concentration in blood and lymph to egress from the lymphoid organs. By downregulating S1PR1, **RP101075** renders lymphocytes unresponsive to this S1P gradient, effectively trapping them within the lymph nodes and other secondary lymphoid tissues. This sequestration prevents their recirculation and migration to sites of inflammation.

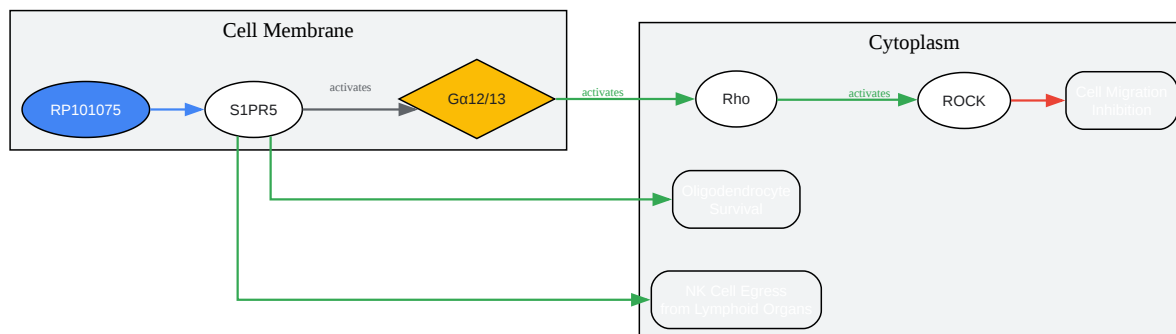


[Click to download full resolution via product page](#)

Caption: RP101075-mediated S1PR1 signaling cascade leading to lymphocyte sequestration.

S1PR5 Signaling

RP101075 also demonstrates high affinity for S1PR5. This receptor is predominantly expressed on oligodendrocytes in the central nervous system (CNS) and on natural killer (NK) cells. In oligodendrocytes, S1PR5 signaling is implicated in promoting cell survival and inhibiting migration. Activation of S1PR5 can engage G α 12/13 proteins, leading to the activation of the Rho/Rho-associated protein kinase (ROCK) signaling pathway, which negatively impacts cell migration. In NK cells, S1PR5 is crucial for their egress from lymph nodes and bone marrow. The agonistic effect of RP101075 on S1PR5 may therefore contribute to its therapeutic effects in neurological disorders by promoting oligodendrocyte function and modulating NK cell trafficking.



[Click to download full resolution via product page](#)

Caption: RP101075-mediated S1PR5 signaling in oligodendrocytes and NK cells.

Quantitative Data on RP101075 Activity and Efficacy

The following tables summarize the key quantitative data from preclinical studies of **RP101075**.

Table 1: In Vitro Receptor Potency of **RP101075**

Receptor	EC50 (nM)	Selectivity vs. S1PR1
S1PR1	0.27	-
S1PR5	5.9	>100-fold
S1PR2	>10,000	>10,000-fold
S1PR3	>10,000	>10,000-fold
S1PR4	>10,000	>10,000-fold
Data from reference		

Table 2: Efficacy of **RP101075** in the NZBWF1 Murine Model of Systemic Lupus Erythematosus (SLE)

Treatment Group (mg/kg)	Mean Proteinuria Score (Week 42)	Mean Serum Blood Urea Nitrogen (BUN) (mg/dL) at Termination
Vehicle	3.5	150
RP101075 (0.3)	2.8	120
RP101075 (1.0)	2.2	80
RP101075 (3.0)	1.5	50

*p < 0.05, *p < 0.01 vs.

Vehicle. Data adapted from

Taylor Meadows KR, et al.

PLoS One. 2018.

Table 3: Effect of **RP101075** on Splenic Lymphocyte Subsets in the NZBWF1 SLE Model

Cell Population	Vehicle (Mean Cell Count x 10 ⁶)	RP101075 (3.0 mg/kg) (Mean Cell Count x 10 ⁶)	% Reduction
Total T Cells	45	15	67%
Naive CD4+ T Cells	12	3	75%
Total B Cells	80	30	63%
Plasmacytoid Dendritic Cells	1.5	0.5	67%

*p < 0.01 vs. Vehicle.

Data adapted from

Taylor Meadows KR,

et al. PLoS One.

2018.

Table 4: Efficacy of **RP101075** in a Mouse Model of Intracerebral Hemorrhage (ICH)

Parameter	Vehicle	RP101075 (1 mg/kg)
Neurological Deficit Score (24h post-ICH)	10	6
Brain Water Content (%) (24h post-ICH)	82	79
Infiltrating Lymphocytes (cells/mm ²) (24h post-ICH)	150	50
Infiltrating Neutrophils (cells/mm ²) (24h post-ICH)	250	100

p < 0.05 vs. Vehicle. Data adapted from Sun N, et al. Stroke. 2016.

Experimental Protocols

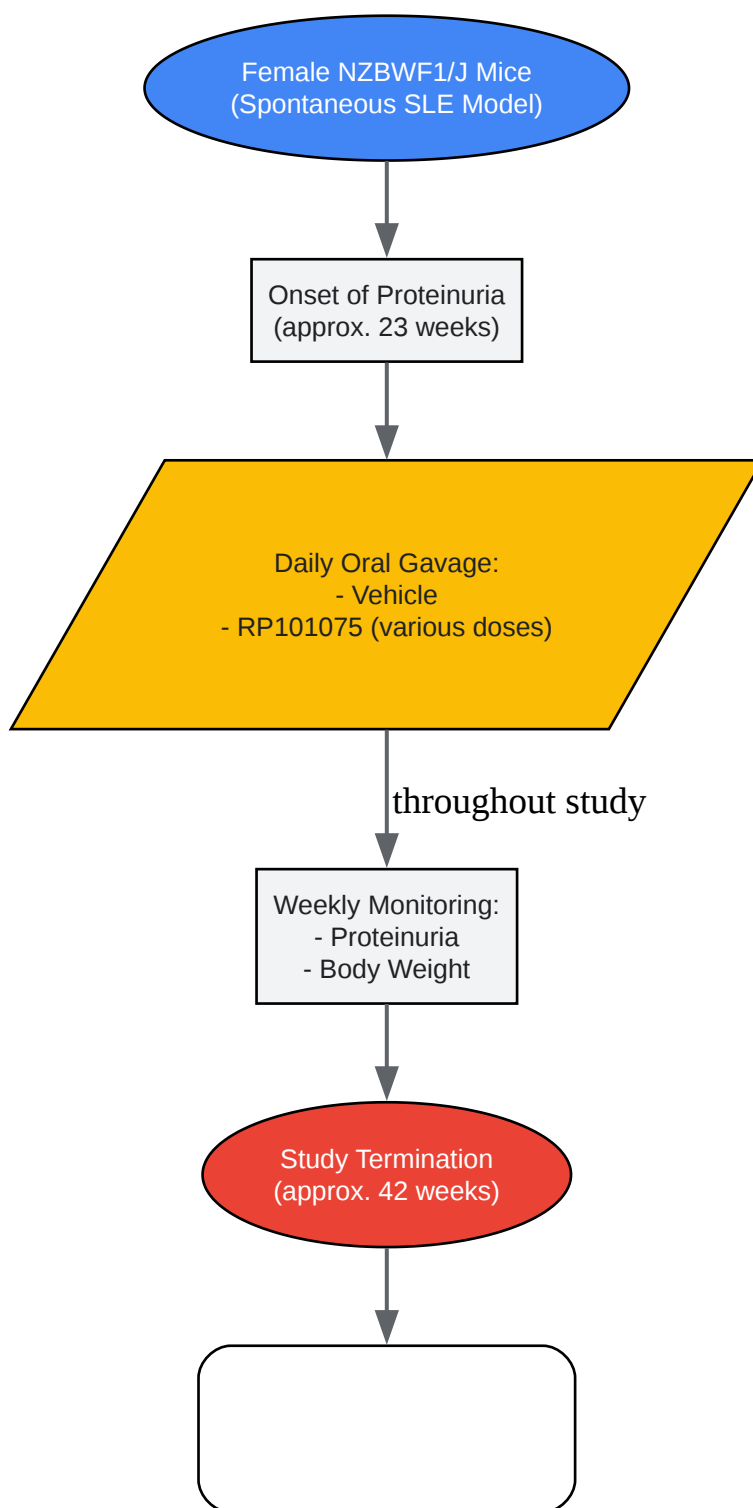
Detailed methodologies are crucial for the replication and extension of preclinical findings. The following sections outline the key experimental protocols used in the evaluation of **RP101075**.

NZBWF1 Murine Model of Systemic Lupus Erythematosus (SLE)

This model spontaneously develops an autoimmune disease that closely resembles human SLE, characterized by autoantibody production, glomerulonephritis, and proteinuria.

- Animals: Female NZBWF1/J mice.
- Disease Induction: Disease develops spontaneously, with proteinuria typically appearing between 20 and 25 weeks of age.
- Treatment: **RP101075** is administered orally (gavage) daily, starting from the onset of proteinuria (e.g., 23 weeks of age) and continuing for the duration of the study (e.g., up to 42 weeks of age).
- Monitoring and Endpoints:

- Proteinuria: Assessed weekly using urine dipsticks.
- Serum Blood Urea Nitrogen (BUN) and Creatinine: Measured at study termination as indicators of kidney function.
- Histopathology: Kidneys are harvested at termination, sectioned, and stained (e.g., with Hematoxylin and Eosin, Periodic acid-Schiff) to assess glomerulonephritis, interstitial inflammation, and fibrosis.
- Immunophenotyping: Spleens are harvested, and single-cell suspensions are prepared for flow cytometric analysis of various immune cell populations (e.g., T cells, B cells, dendritic cells) using fluorescently labeled antibodies.



[Click to download full resolution via product page](#)

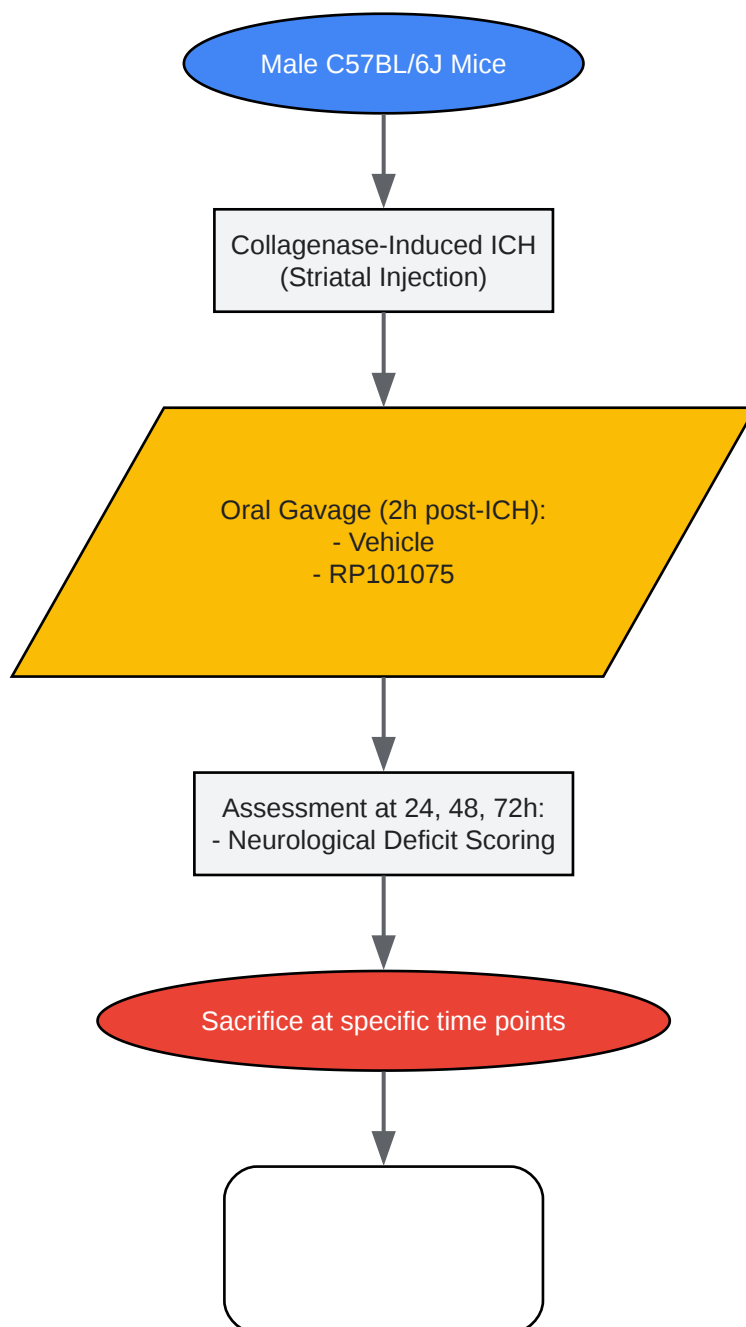
Caption: Experimental workflow for the NZBWF1 murine SLE model.

Collagenase-Induced Intracerebral Hemorrhage (ICH) Mouse Model

This model is used to investigate the neuroprotective and anti-inflammatory effects of **RP101075** in the context of hemorrhagic stroke.

- Animals: Male C57BL/6J mice.
- ICH Induction:
 - Anesthetize the mouse (e.g., with isoflurane).
 - Place the mouse in a stereotaxic frame.
 - Make a small burr hole in the skull over the striatum.
 - Slowly infuse collagenase type VII (e.g., 0.075 U in 0.5 μ L saline) into the striatum using a microinfusion pump.
 - Withdraw the needle slowly, and suture the scalp incision.
- Treatment: **RP101075** is administered orally (gavage) at a specified time point after ICH induction (e.g., 2 hours post-surgery) and then daily for a defined period (e.g., 3 days).
- Monitoring and Endpoints:
 - Neurological Deficit Scoring: Assessed at various time points (e.g., 24, 48, 72 hours) using a standardized scoring system (e.g., Bederson score, corner turn test, forelimb placing test).
 - Brain Water Content: Determined at a specific time point (e.g., 24 hours) by comparing the wet and dry weight of the brain hemispheres to quantify brain edema.
 - Immunohistochemistry/Immunofluorescence: Brains are harvested, sectioned, and stained with antibodies against markers for immune cells (e.g., CD3 for lymphocytes, MPO for neutrophils, Iba1 for microglia/macrophages) to quantify neuroinflammation.

- Blood-Brain Barrier (BBB) Permeability: Assessed by injecting a tracer (e.g., Evans blue dye) intravenously before sacrifice and measuring its extravasation into the brain parenchyma.



[Click to download full resolution via product page](#)

Caption: Experimental workflow for the collagenase-induced ICH mouse model.

Conclusion

RP101075 is a potent and selective S1PR1 and S1PR5 modulator with significant immunomodulatory properties. Its primary mechanism of action, the sequestration of lymphocytes in peripheral lymphoid organs via S1PR1 activation, has been well-demonstrated in preclinical models of autoimmune disease. The quantitative data presented in this guide highlight its efficacy in reducing disease severity in models of SLE and ICH. The detailed experimental protocols provide a foundation for further investigation into its therapeutic potential. The dual engagement of S1PR1 and S1PR5 suggests that **RP101075** may have a multifaceted therapeutic profile, impacting not only lymphocyte trafficking but also CNS-resident cells. This technical guide serves as a valuable resource for the scientific community to advance the understanding and potential clinical application of **RP101075** in immune-mediated and inflammatory disorders.

Need Custom Synthesis?

BenchChem offers custom synthesis for rare earth carbides and specific isotopic labeling.

Email: info@benchchem.com or [Request Quote Online](#).

References

- [1. Histology | PLOS One \[journals.plos.org\]](#)
- [2. S1P/S1PR signaling pathway advancements in autoimmune diseases - PMC \[pmc.ncbi.nlm.nih.gov\]](#)
- [3. A Sphingosine-1-Phosphate Receptor Modulator Attenuated Secondary Brain Injury and Improved Neurological Functions of Mice after ICH - PMC \[pmc.ncbi.nlm.nih.gov\]](#)
- [4. Sphingosine 1-phosphate: lipid signaling in pathology and therapy - PMC \[pmc.ncbi.nlm.nih.gov\]](#)
- [5. Selective Sphingosine-1-Phosphate Receptor 1 Modulation Attenuates Experimental Intracerebral Hemorrhage - PubMed \[pubmed.ncbi.nlm.nih.gov\]](#)
- To cite this document: BenchChem. [The Role of RP101075 in Immune Modulation: A Technical Guide]. BenchChem, [2026]. [Online PDF]. Available at: [\[https://www.benchchem.com/product/b3321049/docs#the-role-of-rp101075-in-immune-modulation-a-technical-guide\]](https://www.benchchem.com/product/b3321049/docs#the-role-of-rp101075-in-immune-modulation-a-technical-guide)

Disclaimer & Data Validity:

The information provided in this document is for Research Use Only (RUO) and is strictly not intended for diagnostic or therapeutic procedures. While BenchChem strives to provide accurate protocols, we make no warranties, express or implied, regarding the fitness of this product for every specific experimental setup.

Technical Support: The protocols provided are for reference purposes. Unsure if this reagent suits your experiment?

Need Industrial/Bulk Grade? [Request Custom Synthesis Quote](#)

BenchChem

Our mission is to be the trusted global source of essential and advanced chemicals, empowering scientists and researchers to drive progress in science and industry.

Contact

Address: 3281 E Guasti Rd
Ontario, CA 91761, United States
Phone: (601) 213-4426
Email: info@benchchem.com

[Contact our Ph.D. Support Team for a compatibility check](#)