

Application Notes and Protocols for Protein Immobilization using Sulfo-LC-SPDP

Author: BenchChem Technical Support Team. **Date:** April 2026

Compound of Interest

Compound Name: Sulfo-LC-SPDP

CAS No.: 150244-18-1

Cat. No.: B3181896

[Get Quote](#)

For Researchers, Scientists, and Drug Development Professionals

These application notes provide detailed protocols and quantitative data for the immobilization of proteins on various surfaces using the heterobifunctional crosslinker, Sulfosuccinimidyl 6-(3'-(2-pyridyldithio)propionamido)hexanoate (**Sulfo-LC-SPDP**). This water-soluble reagent facilitates the covalent linkage of proteins to surfaces, a critical step in the development of biosensors, immunoassays, and targeted drug delivery systems.

Introduction to Sulfo-LC-SPDP

Sulfo-LC-SPDP is a versatile crosslinking agent that reacts with primary amines (e.g., lysine residues on a protein) and sulfhydryl groups (e.g., cysteine residues).[1] Its key features include:

- **Heterobifunctionality:** Possesses two different reactive groups, an N-hydroxysulfosuccinimide (Sulfo-NHS) ester that reacts with primary amines, and a pyridyldithiol group that reacts with sulfhydryl groups.[2]

- **Water Solubility:** The sulfonyl group makes it soluble in aqueous buffers, avoiding the need for organic solvents that can be detrimental to protein structure and function.[2]
- **Cleavable Spacer Arm:** The disulfide bond within the spacer arm can be cleaved by reducing agents like dithiothreitol (DTT), allowing for the release of the immobilized protein if required.
- **Long Spacer Arm:** The 15.7 Å spacer arm minimizes steric hindrance, preserving the native conformation and activity of the immobilized protein.

The reaction of the pyridyldithiol group with a sulfhydryl releases pyridine-2-thione, a byproduct that can be measured spectrophotometrically at 343 nm to monitor the reaction progress.

Core Applications

The ability to covalently attach proteins to solid supports is fundamental in various research and development areas:

- **Biosensors and Immunoassays:** Immobilization of antibodies or antigens is the foundation of techniques like ELISA and surface plasmon resonance (SPR) for detecting and quantifying analytes.
- **Drug Delivery:** Functionalizing nanoparticles or other carrier molecules with targeting proteins enables specific delivery to target cells or tissues.
- **Cell Adhesion Studies:** Immobilizing extracellular matrix proteins or cell adhesion molecules allows for the investigation of cell-surface interactions.
- **Enzyme Reactors:** Immobilizing enzymes can enhance their stability and allow for their reuse in biocatalytic processes.

Experimental Protocols

Below are detailed protocols for the immobilization of proteins on two common surface types: amine-functionalized and thiol-functionalized surfaces.

Protocol 1: Immobilization of a Protein onto an Amine-Functionalized Surface

This protocol is suitable for surfaces such as amine-coated microplates, glass slides, or nanoparticles. The protein to be immobilized must possess free sulfhydryl groups. If the protein does not have accessible sulfhydryls, they can be introduced using reagents like Traut's Reagent (2-iminothiolane) or by reducing existing disulfide bonds.

Materials:

- Amine-functionalized surface
- **Sulfo-LC-SPDP**
- Protein with free sulfhydryl groups (Protein-SH)
- Activation Buffer: 20 mM Sodium Phosphate, 0.15 M NaCl, pH 7.5
- Conjugation Buffer: 20 mM Sodium Phosphate, 0.15 M NaCl, 10 mM EDTA, pH 7.2
- Wash Buffer: PBS with 0.05% Tween-20
- Blocking Buffer: 1% BSA in PBS
- Quenching Solution: 1 M Tris-HCl, pH 8.5

Procedure:

- Surface Activation:
 - Dissolve **Sulfo-LC-SPDP** in Activation Buffer to a final concentration of 1 mg/mL immediately before use.
 - Add the **Sulfo-LC-SPDP** solution to the amine-functionalized surface and incubate for 1 hour at room temperature.
 - Wash the surface three times with Wash Buffer to remove excess crosslinker.
- Protein Immobilization:

- Dissolve the Protein-SH in Conjugation Buffer to a suitable concentration (e.g., 0.1-1 mg/mL).
- Add the protein solution to the activated surface and incubate for 2 hours at room temperature or overnight at 4°C.
- Wash the surface three times with Wash Buffer to remove unbound protein.
- Blocking and Quenching:
 - Add Blocking Buffer to the surface and incubate for 1 hour at room temperature to block any remaining active sites and reduce non-specific binding.
 - Wash the surface three times with Wash Buffer.
 - (Optional) To quench any unreacted pyridyldithiol groups, incubate with Quenching Solution for 30 minutes at room temperature, followed by three washes with Wash Buffer.

Protocol 2: Immobilization of a Protein onto a Thiol-Functionalized Surface

This protocol is applicable for surfaces such as gold nanoparticles or thiol-modified slides. The protein to be immobilized should have accessible primary amine groups.

Materials:

- Thiol-functionalized surface
- **Sulfo-LC-SPDP**
- Protein with primary amines (e.g., containing lysine residues)
- Activation Buffer: 20 mM Sodium Phosphate, 0.15 M NaCl, pH 7.5
- Conjugation Buffer: 20 mM Sodium Phosphate, 0.15 M NaCl, 10 mM EDTA, pH 7.2
- Wash Buffer: PBS with 0.05% Tween-20

- Blocking Buffer: 1% BSA in PBS

Procedure:

- Protein Activation:
 - Dissolve the protein in Activation Buffer at a concentration of 1-5 mg/mL.
 - Prepare a 25 mM solution of **Sulfo-LC-SPDP** in water (e.g., 6.6 mg in 500 μ L).
 - Add a 20-fold molar excess of the **Sulfo-LC-SPDP** solution to the protein solution.
 - Incubate for 30-60 minutes at room temperature.
 - Remove excess, unreacted **Sulfo-LC-SPDP** using a desalting column equilibrated with Conjugation Buffer.
- Protein Immobilization:
 - Immediately apply the activated protein solution to the thiol-functionalized surface.
 - Incubate for 2 hours at room temperature or overnight at 4°C.
 - Wash the surface three times with Wash Buffer to remove unbound protein.
- Blocking:
 - Add Blocking Buffer to the surface and incubate for 1 hour at room temperature.
 - Wash the surface three times with Wash Buffer.

Quantitative Data Summary

The following tables summarize typical quantitative data obtained from protein immobilization experiments using **Sulfo-LC-SPDP**.

Table 1: Immobilization Efficiency on Different Surfaces

Surface Type	Protein Immobilized	Immobilization Density (ng/cm ²)	Method of Quantification
Amine-functionalized Glass	Bovine Serum Albumin (BSA)	150 - 250	Fluorescence Microscopy
Gold Nanoparticles (20 nm)	Immunoglobulin G (IgG)	5 - 10 molecules/particle	UV-Vis Spectroscopy
Amine-derivatized Microplate	Alkaline Phosphatase	80 - 120	Enzyme Activity Assay

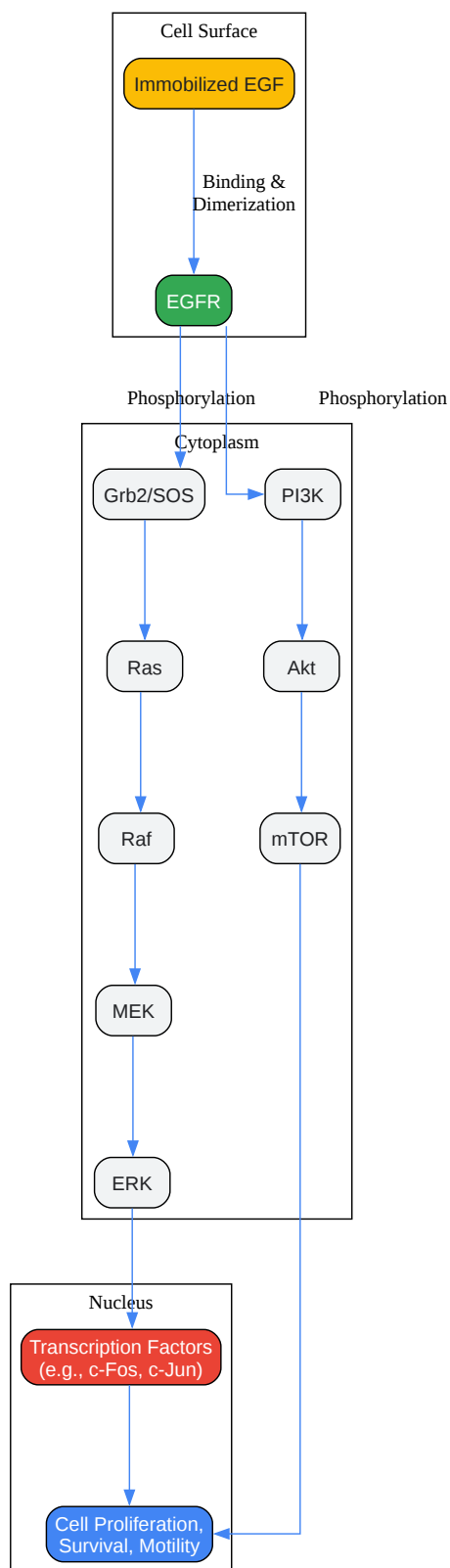
Table 2: Retained Activity of Immobilized Enzymes

Enzyme	Surface	Immobilization Method	Retained Activity (%)	Activity Assay
Alkaline Phosphatase	Amine-functionalized Microplate	Protocol 1	75 - 90%	p-Nitrophenyl phosphate (pNPP) hydrolysis
Horseradish Peroxidase	Thiol-functionalized Gold	Protocol 2	60 - 80%	ABTS oxidation

Visualizations

Experimental Workflow: Protein Immobilization on an Amine-Functionalized Surface





[Click to download full resolution via product page](#)

Need Custom Synthesis?

BenchChem offers custom synthesis for rare earth carbides and specific isotopic labeling.

Email: info@benchchem.com or [Request Quote Online](#).

References

- 1. documents.thermofisher.com [documents.thermofisher.com]
- 2. interchim.fr [interchim.fr]
- To cite this document: BenchChem. [Application Notes and Protocols for Protein Immobilization using Sulfo-LC-SPDP]. BenchChem, [2026]. [Online PDF]. Available at: [<https://www.benchchem.com/product/b3181896/docs#application-notes-and-protocols-for-protein-immobilization-using-sulfo-lc-spdp>]

Disclaimer & Data Validity:

The information provided in this document is for Research Use Only (RUO) and is strictly not intended for diagnostic or therapeutic procedures. While BenchChem strives to provide accurate protocols, we make no warranties, express or implied, regarding the fitness of this product for every specific experimental setup.

Technical Support: The protocols provided are for reference purposes. Unsure if this reagent suits your experiment?

Need Industrial/Bulk Grade? [Request Custom Synthesis Quote](#)

BenchChem

Our mission is to be the trusted global source of essential and advanced chemicals, empowering scientists and researchers to drive progress in science and industry.

Contact

Address: 3281 E Guasti Rd

Ontario, CA 91761, United States

Phone: (601) 213-4426

Email: info@benchchem.com

Contact our Ph.D. Support Team for a compatibility check