

ATF6 Western Blot Technical Support Center

Author: BenchChem Technical Support Team. **Date:** April 2026

Compound of Interest

Compound Name:	AT6
CAS No.:	2098836-50-9
Cat. No.:	B3067984

[Get Quote](#)

This technical support center provides troubleshooting guides and frequently asked questions (FAQs) to assist researchers, scientists, and drug development professionals in resolving common issues encountered during ATF6 Western blotting experiments.

Frequently Asked Questions (FAQs)

Q1: What are the expected molecular weights for ATF6 on a Western blot?

A1: Activating Transcription Factor 6 (ATF6) is typically observed in two forms:

- Full-length ATF6: An approximately 90 kDa protein, which is the inactive precursor localized to the endoplasmic reticulum (ER) membrane.^{[1][2][3]}
- Cleaved (active) ATF6: An approximately 50 kDa nuclear fragment (p50 ATF6) that is generated upon ER stress.^[4] This active form translocates to the nucleus to function as a transcription factor.

It is important to note that the apparent molecular weight can vary slightly between different cell types and experimental conditions.

Q2: I am not detecting the cleaved form of ATF6. What could be the reason?

A2: The cleaved, active form of ATF6 is known to be rapidly degraded by the proteasome.[4] This transient nature can make it difficult to detect. To increase the chances of detection, it is highly recommended to treat your cells with a proteasome inhibitor, such as MG132, prior to and during cell lysis.[2][3][5]

Q3: Why am I seeing multiple bands in my ATF6 Western blot?

A3: The presence of multiple bands can be due to several factors:

- Protein degradation: If samples are not handled properly, proteases can degrade ATF6, leading to lower molecular weight bands. Always use fresh samples and include protease inhibitors in your lysis buffer.[6]
- Post-translational modifications: Glycosylation and phosphorylation can alter the migration of ATF6, resulting in bands at slightly higher molecular weights or a smeared appearance.[7][8]
- Splice variants: Different isoforms of ATF6 may exist, leading to the detection of multiple bands.
- Antibody non-specificity: The primary or secondary antibody may be cross-reacting with other proteins. Ensure your antibodies are validated for the application and use appropriate blocking buffers.
- Protein multimers: Inadequately reduced and denatured samples can lead to the formation of dimers or larger multimers, appearing as higher molecular weight bands.[7]

Q4: How do I choose the right antibody for detecting ATF6?

A4: Selecting a suitable antibody is critical for a successful ATF6 Western blot. Look for antibodies that have been validated for Western blotting and are specific for ATF6 α , the primary isoform involved in the ER stress response.[9][10][11] Many vendors provide antibodies that can detect both the full-length and cleaved forms of ATF6. It is advisable to check the antibody datasheet for recommended applications, dilutions, and supporting data from other researchers.

Troubleshooting Guide

Problem	Possible Cause	Recommended Solution
No Signal or Weak Signal	Inactive or insufficient primary/secondary antibody.	- Use a fresh aliquot of antibody. - Optimize antibody concentration. - Ensure the secondary antibody is appropriate for the primary antibody.
Low abundance of ATF6.	- Increase the amount of protein loaded onto the gel. - Consider using a more sensitive detection reagent.	
Inefficient protein transfer.	- Confirm transfer by staining the membrane with Ponceau S. - Optimize transfer time and voltage based on the molecular weight of ATF6.	
Masking of the epitope by blocking agent.	- Try a different blocking agent (e.g., BSA instead of non-fat dry milk).	
High Background	Primary or secondary antibody concentration is too high.	- Titrate antibodies to determine the optimal concentration.
Insufficient blocking.	- Increase blocking time or use a higher concentration of blocking agent.	
Inadequate washing.	- Increase the number and duration of wash steps.	
Contaminated buffers or equipment.	- Use fresh, filtered buffers and clean equipment. [12]	
Bands at Incorrect Molecular Weight	Protein degradation.	- Add protease inhibitors to the lysis buffer and keep samples on ice. [6]

Post-translational modifications.	- Consult literature for expected modifications that may alter protein migration.[7]
-----------------------------------	--

Splice variants or isoforms.	- Check databases like UniProt for known isoforms of ATF6.
------------------------------	--

Protein dimerization or multimerization.	- Ensure complete denaturation and reduction of samples by boiling in sample buffer with a reducing agent.
--	--

Experimental Protocols

Detailed Methodology for ATF6 Western Blotting

This protocol provides a general guideline for detecting both full-length and cleaved ATF6. Optimization may be required for specific cell types and experimental conditions.

1. Cell Culture and Treatment:

- Culture cells to the desired confluency.
- To induce ER stress and ATF6 cleavage, treat cells with an appropriate agent. Common inducers include:
 - Tunicamycin: An inhibitor of N-linked glycosylation.
 - Thapsigargin: An inhibitor of the sarco/endoplasmic reticulum Ca²⁺-ATPase (SERCA).[1]
- A time-course experiment is recommended to determine the optimal duration of treatment for observing ATF6 cleavage.

ER Stress Inducer	Typical Concentration	Typical Incubation Time for ATF6 Cleavage
Tunicamycin	1-10 µg/mL	2-8 hours[13]
Thapsigargin	100-300 nM	1-4 hours[14]

2. (Optional but Recommended) Proteasome Inhibition:

- To stabilize the cleaved form of ATF6, pre-treat cells with a proteasome inhibitor (e.g., 10 μ M MG132) for 1-2 hours before inducing ER stress. Maintain the inhibitor throughout the stress induction period and in the lysis buffer.[\[2\]](#)[\[3\]](#)[\[5\]](#)

3. Cell Lysis:

- Wash cells with ice-cold PBS.
- Lyse cells in a suitable lysis buffer (e.g., RIPA buffer) supplemented with a protease inhibitor cocktail and, if used, the proteasome inhibitor.
- Incubate on ice for 10-30 minutes.
- Centrifuge at high speed (e.g., 14,000 rpm) at 4°C for 15 minutes to pellet cell debris.
- Collect the supernatant containing the protein lysate.

4. Protein Quantification:

- Determine the protein concentration of the lysates using a standard protein assay (e.g., BCA or Bradford assay).

5. Sample Preparation for SDS-PAGE:

- Mix an equal amount of protein from each sample with Laemmli sample buffer containing a reducing agent (e.g., β -mercaptoethanol or DTT).
- Boil the samples at 95-100°C for 5-10 minutes to denature and reduce the proteins.

6. SDS-PAGE:

- Load equal amounts of protein (typically 20-50 μ g) into the wells of an SDS-polyacrylamide gel. For resolving both the 90 kDa and 50 kDa forms of ATF6, a 6-8% gel is recommended.
[\[1\]](#)
- Run the gel according to the manufacturer's instructions.

7. Protein Transfer:

- Transfer the separated proteins from the gel to a nitrocellulose or PVDF membrane using a wet or semi-dry transfer system.

8. Blocking:

- Block the membrane with a suitable blocking buffer (e.g., 5% non-fat dry milk or 5% BSA in Tris-buffered saline with 0.1% Tween-20 (TBST)) for at least 1 hour at room temperature with gentle agitation.

9. Antibody Incubation:

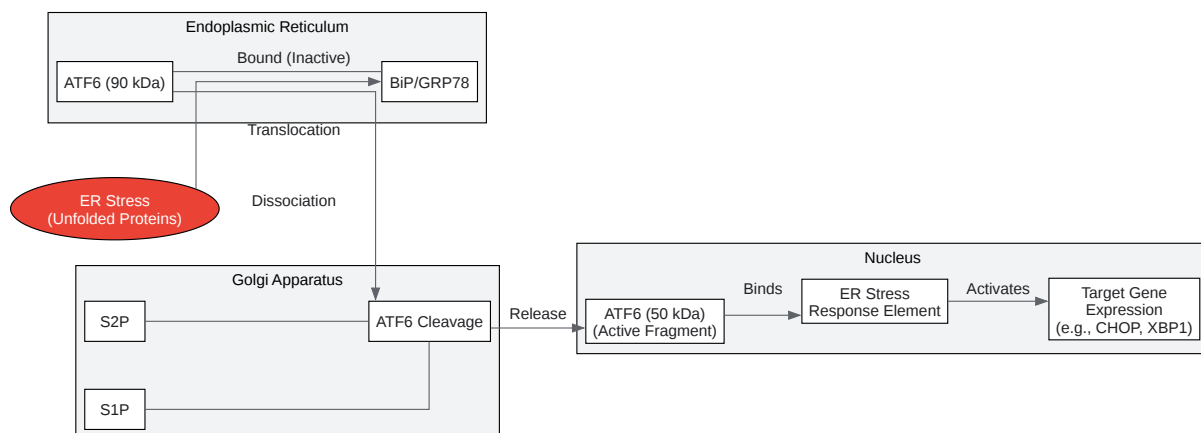
- Incubate the membrane with the primary antibody against ATF6, diluted in blocking buffer, overnight at 4°C with gentle agitation. Recommended dilutions are typically provided on the antibody datasheet (e.g., 1:500-1:1000).
- Wash the membrane three times for 5-10 minutes each with TBST.
- Incubate the membrane with the appropriate HRP-conjugated secondary antibody, diluted in blocking buffer, for 1 hour at room temperature with gentle agitation.
- Wash the membrane three times for 10-15 minutes each with TBST.

10. Detection:

- Incubate the membrane with an enhanced chemiluminescence (ECL) substrate according to the manufacturer's instructions.
- Capture the chemiluminescent signal using an imaging system or X-ray film.

Visualizations

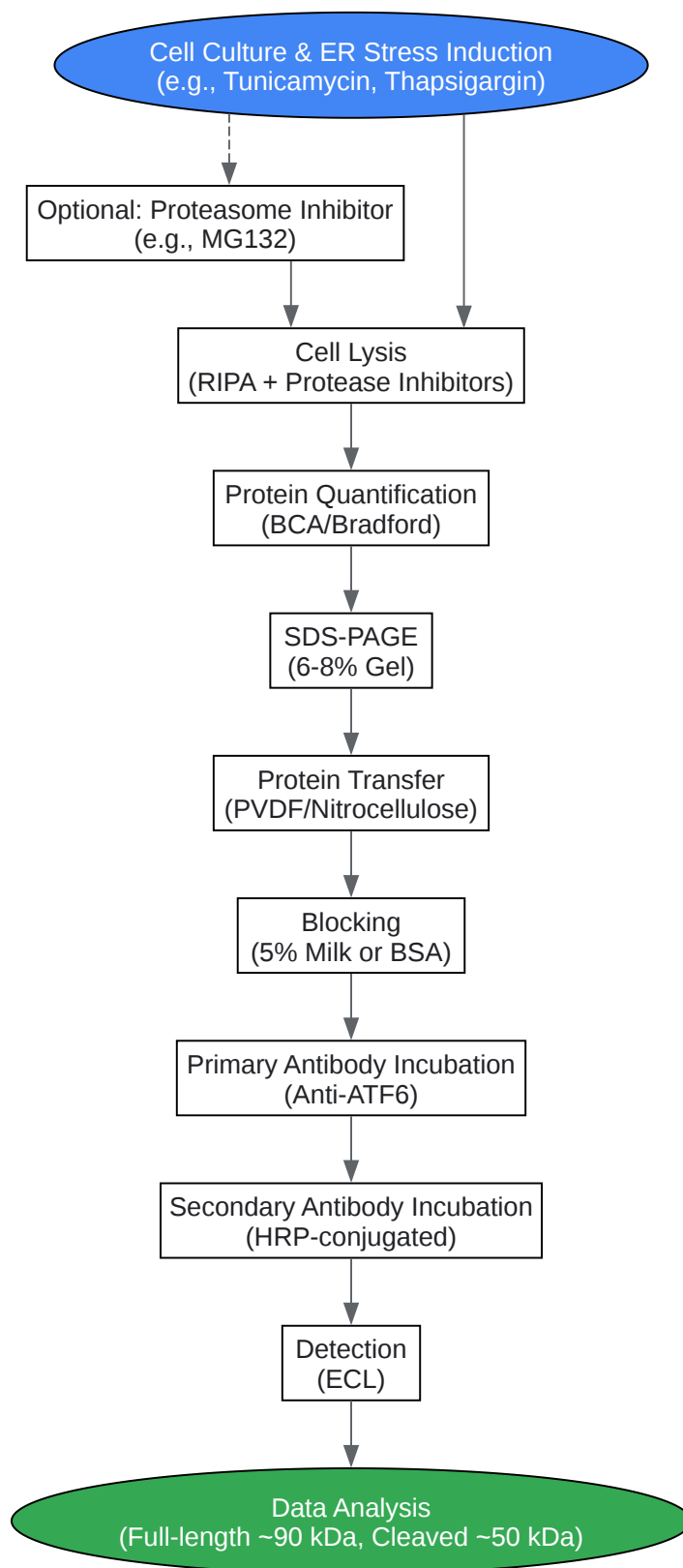
ATF6 Signaling Pathway



[Click to download full resolution via product page](#)

Caption: The ATF6 signaling pathway is activated upon ER stress.

ATF6 Western Blot Workflow



[Click to download full resolution via product page](#)

Caption: A typical workflow for performing an ATF6 Western blot.

Need Custom Synthesis?

BenchChem offers custom synthesis for rare earth carbides and specific isotopic labeling.

Email: info@benchchem.com or [Request Quote Online](#).

References

- 1. ATF6 as a Transcription Activator of the Endoplasmic Reticulum Stress Element: Thapsigargin Stress-Induced Changes and Synergistic Interactions with NF- κ B and YY1 - PMC [[pmc.ncbi.nlm.nih.gov](https://pubmed.ncbi.nlm.nih.gov/)]
- 2. sceti.co.jp [sceti.co.jp]
- 3. fnkprddata.blob.core.windows.net [fnkprddata.blob.core.windows.net]
- 4. Molecular mechanism of ATF6 in unfolded protein response and its role in disease - PMC [[pmc.ncbi.nlm.nih.gov](https://pubmed.ncbi.nlm.nih.gov/)]
- 5. search.cosmobio.co.jp [search.cosmobio.co.jp]
- 6. Western blot troubleshooting guide! [jacksonimmuno.com]
- 7. bosterbio.com [bosterbio.com]
- 8. bio-rad.com [bio-rad.com]
- 9. Anti-ATF6 Antibodies | Invitrogen [thermofisher.com]
- 10. bio-techne.com [bio-techne.com]
- 11. ATF6 Antibody | Affinity Biosciences [affbiotech.com]
- 12. Western Blotting Troubleshooting Guide | Cell Signaling Technology [cellsignal.com]
- 13. Modeling Acute ER stress in vivo and in vitro - PMC [[pmc.ncbi.nlm.nih.gov](https://pubmed.ncbi.nlm.nih.gov/)]
- 14. researchgate.net [researchgate.net]
- To cite this document: BenchChem. [ATF6 Western Blot Technical Support Center]. BenchChem, [2026]. [Online PDF]. Available at: [<https://www.benchchem.com/product/b3067984/docs#atf6-western-blot-technical-support-center>]

Disclaimer & Data Validity:

The information provided in this document is for Research Use Only (RUO) and is strictly not intended for diagnostic or therapeutic procedures. While BenchChem strives to provide accurate protocols, we make no warranties, express or implied, regarding the fitness of this product for every specific experimental setup.

Technical Support: The protocols provided are for reference purposes. Unsure if this reagent suits your experiment?

Need Industrial/Bulk Grade? [Request Custom Synthesis Quote](#)

BenchChem

Our mission is to be the trusted global source of essential and advanced chemicals, empowering scientists and researchers to drive progress in science and industry.

Contact

Address: 3281 E Guasti Rd
Ontario, CA 91761, United States
Phone: (601) 213-4426
Email: info@benchchem.com

[Contact our Ph.D. Support Team for a compatibility check](#)