

# Technical Support Center: Overcoming ASTX029 Resistance

**Author:** BenchChem Technical Support Team. **Date:** April 2026

## Compound of Interest

Compound Name:	ASTX029
CAS No.:	2095719-92-7
Cat. No.:	B3025699

[Get Quote](#)

This technical support center provides troubleshooting guides and frequently asked questions (FAQs) for researchers, scientists, and drug development professionals encountering resistance to **ASTX029** in long-term cell culture experiments.

## Frequently Asked Questions (FAQs)

Q1: What is **ASTX029** and what is its mechanism of action?

**ASTX029** is an orally bioavailable and selective inhibitor of the extracellular signal-regulated kinases 1 and 2 (ERK1/2).[1] It has a dual mechanism of action, inhibiting both the catalytic activity of ERK and its phosphorylation by MEK.[2][3] **ASTX029** is being investigated for the treatment of advanced solid tumors, particularly those with mutations in the MAPK signaling pathway, such as BRAF or RAS mutations.[2][4]

Q2: My cancer cell line, which was initially sensitive to **ASTX029**, is showing signs of resistance after long-term culture. What are the possible reasons?

Acquired resistance to targeted therapies like **ASTX029** can develop through several mechanisms. Based on studies of ERK inhibitors, likely causes include:

- On-target mutations: The development of mutations in the ERK1 or ERK2 genes that prevent **ASTX029** from binding effectively.
- Gene amplification: Increased copy number of the ERK2 gene, leading to overexpression of the target protein.
- Bypass signaling pathways: Activation of alternative signaling pathways that can reactivate downstream targets of the MAPK pathway, circumventing the ERK blockade. Common bypass pathways include the PI3K/mTOR and EGFR/ERBB2 pathways.

Q3: How can I confirm that my cell line has developed resistance to **ASTX029**?

The most direct way to confirm resistance is to determine the half-maximal inhibitory concentration (IC50) of **ASTX029** in your long-term cultured cell line and compare it to the IC50 of the parental, sensitive cell line. A significant increase in the IC50 value indicates the development of resistance.

Q4: What strategies can I employ to overcome **ASTX029** resistance in my cell culture models?

Several strategies can be investigated to overcome acquired resistance to **ASTX029**:

- Combination Therapy: Combining **ASTX029** with inhibitors of potential bypass pathways is a promising approach.
  - MEK Inhibitors: Dual inhibition of MEK and ERK can be synergistic and prevent or overcome resistance.
  - SHP2 Inhibitors: SHP2 is a protein tyrosine phosphatase that acts upstream of RAS. Combining **ASTX029** with a SHP2 inhibitor can provide a more complete blockade of the MAPK pathway.
  - PI3K/mTOR Inhibitors: If you observe activation of the PI3K/mTOR pathway in your resistant cells, combining **ASTX029** with a PI3K or mTOR inhibitor could restore sensitivity.
- Characterize the Resistance Mechanism: Understanding the specific mechanism of resistance in your cell line will allow for a more targeted approach to overcoming it.

## Troubleshooting Guides

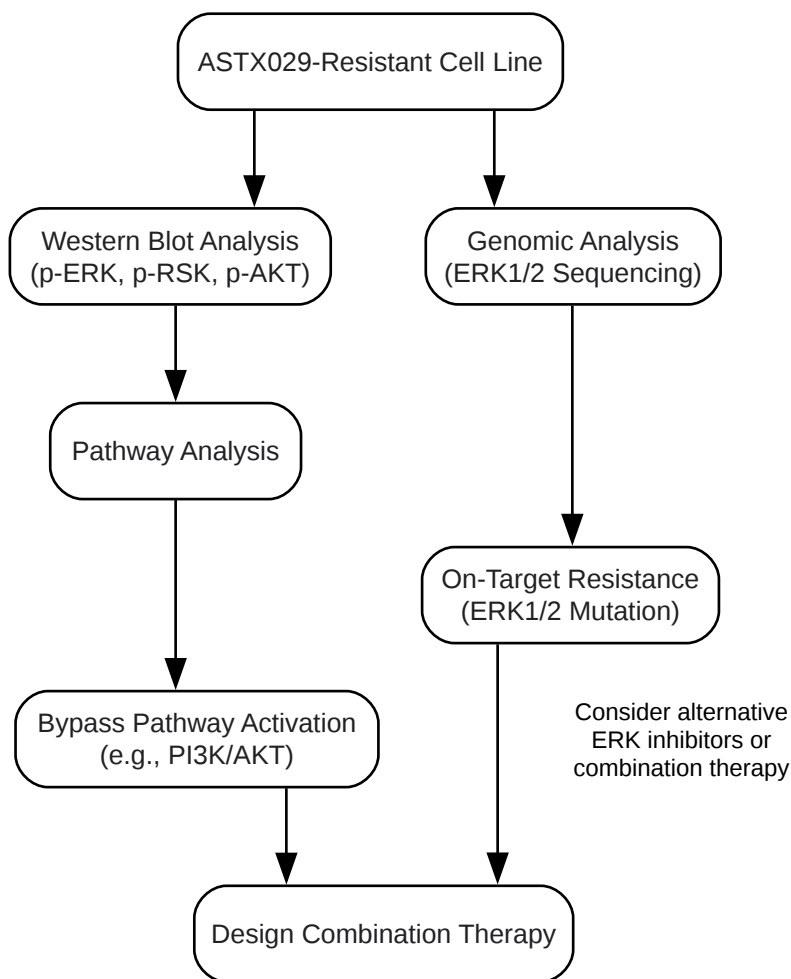
This section provides guidance for specific issues you may encounter during your experiments.

### Issue 1: Difficulty in Establishing a Stable **ASTX029**-Resistant Cell Line

- Problem: Cells are not surviving the drug selection process, or the resistance phenotype is not stable.
- Possible Causes & Solutions:
  - Initial Drug Concentration Too High: Starting with a high concentration of **ASTX029** can lead to massive cell death. Begin selection with a concentration at or slightly below the IC50 of the parental cell line.
  - Dose Escalation Too Rapid: Increasing the drug concentration too quickly may not allow sufficient time for the cells to adapt. A gradual, stepwise increase in concentration is recommended.
  - Drug Instability: Ensure that **ASTX029** is stable in your culture medium for the duration of the treatment. Prepare fresh drug-containing medium regularly.

### Issue 2: Unclear Mechanism of **ASTX029** Resistance

- Problem: You have confirmed resistance via IC50 shift, but the underlying molecular mechanism is unknown.
- Troubleshooting Workflow:



[Click to download full resolution via product page](#)

Caption: Workflow for Investigating **ASTX029** Resistance.

## Data Presentation

Table 1: Hypothetical IC50 Values for Parental and **ASTX029**-Resistant Cancer Cell Lines

Cell Line	Treatment	IC50 (nM)	Resistance Index (RI)
Parental Cancer Cell Line	ASTX029	50	1
ASTX029-Resistant Sub-line	ASTX029	1500	30

Resistance Index (RI) = IC50 of resistant line / IC50 of parental line

Table 2: Proliferation of Parental and **ASTX029**-Resistant Cell Lines in Response to Combination Therapy

Cell Line	Treatment	% Inhibition of Proliferation
Parental	ASTX029 (50 nM)	55%
Resistant	ASTX029 (1.5 $\mu$ M)	48%
Resistant	MEK Inhibitor (100 nM)	35%
Resistant	ASTX029 (1.5 $\mu$ M) + MEK Inhibitor (100 nM)	85%

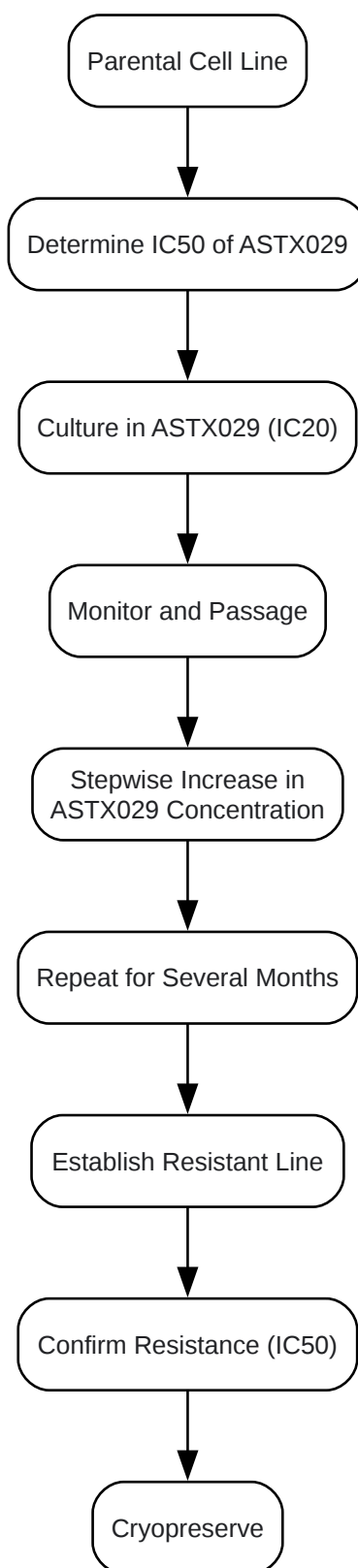
## Experimental Protocols

### 1. Protocol for Generating **ASTX029**-Resistant Cancer Cell Lines

This protocol describes a general method for developing acquired resistance to **ASTX029** in a cancer cell line that is initially sensitive.

- Materials:
  - Parental cancer cell line of interest
  - Complete cell culture medium
  - **ASTX029**
  - DMSO (for stock solution)
  - Cell culture flasks, plates, and other consumables
  - Cell viability assay kit (e.g., MTT, CellTiter-Glo®)
- Procedure:

- Determine the initial IC50: Perform a dose-response experiment to determine the IC50 of **ASTX029** for the parental cell line.
- Initial Drug Exposure: Begin by continuously culturing the parental cells in medium containing **ASTX029** at a concentration equal to the IC20 (the concentration that inhibits growth by 20%).
- Monitor and Passage: Closely monitor the cells. Initially, a significant portion of the cells may die. When the surviving cells reach 70-80% confluency, passage them and re-plate them in fresh medium containing the same concentration of **ASTX029**.
- Stepwise Dose Escalation: Once the cells have adapted to the initial concentration and are growing at a stable rate, gradually increase the concentration of **ASTX029**. A 1.5- to 2-fold increase at each step is a reasonable starting point.
- Repeat and Select: Repeat the process of adaptation and dose escalation for several months.
- Establish and Characterize the Resistant Line: Once the cells are able to proliferate in a significantly higher concentration of **ASTX029** (e.g., 10-20 times the initial IC50), the resistant cell line is considered established.
- Confirm Resistance: Determine the IC50 of the newly established resistant cell line and calculate the Resistance Index (RI).
- Cryopreservation: Cryopreserve aliquots of the resistant cell line at various passages.



[Click to download full resolution via product page](#)

Caption: Experimental Workflow for Generating Resistant Cell Lines.

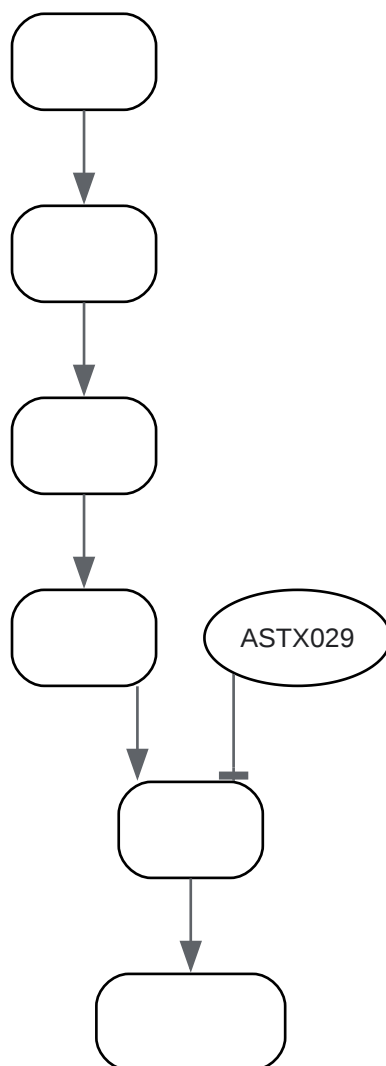
## 2. Western Blot Analysis of Key Signaling Proteins

This protocol is for assessing the activation state of key proteins in the MAPK and PI3K/mTOR pathways.

- Materials:
  - Parental and **ASTX029**-resistant cell lines
  - **ASTX029** and other inhibitors as needed
  - Lysis buffer (e.g., RIPA buffer with protease and phosphatase inhibitors)
  - BCA protein assay kit
  - SDS-PAGE gels and running buffer
  - Transfer buffer and PVDF membrane
  - Blocking buffer (e.g., 5% non-fat milk or BSA in TBST)
  - Primary antibodies (e.g., anti-p-ERK, anti-ERK, anti-p-RSK, anti-RSK, anti-p-AKT, anti-AKT, anti-GAPDH)
  - HRP-conjugated secondary antibodies
  - Chemiluminescent substrate
- Procedure:
  - Cell Lysis: Lyse parental and resistant cells with or without drug treatment.
  - Protein Quantification: Determine the protein concentration of each lysate using a BCA assay.
  - SDS-PAGE and Transfer: Separate equal amounts of protein by SDS-PAGE and transfer to a PVDF membrane.
  - Blocking: Block the membrane to prevent non-specific antibody binding.

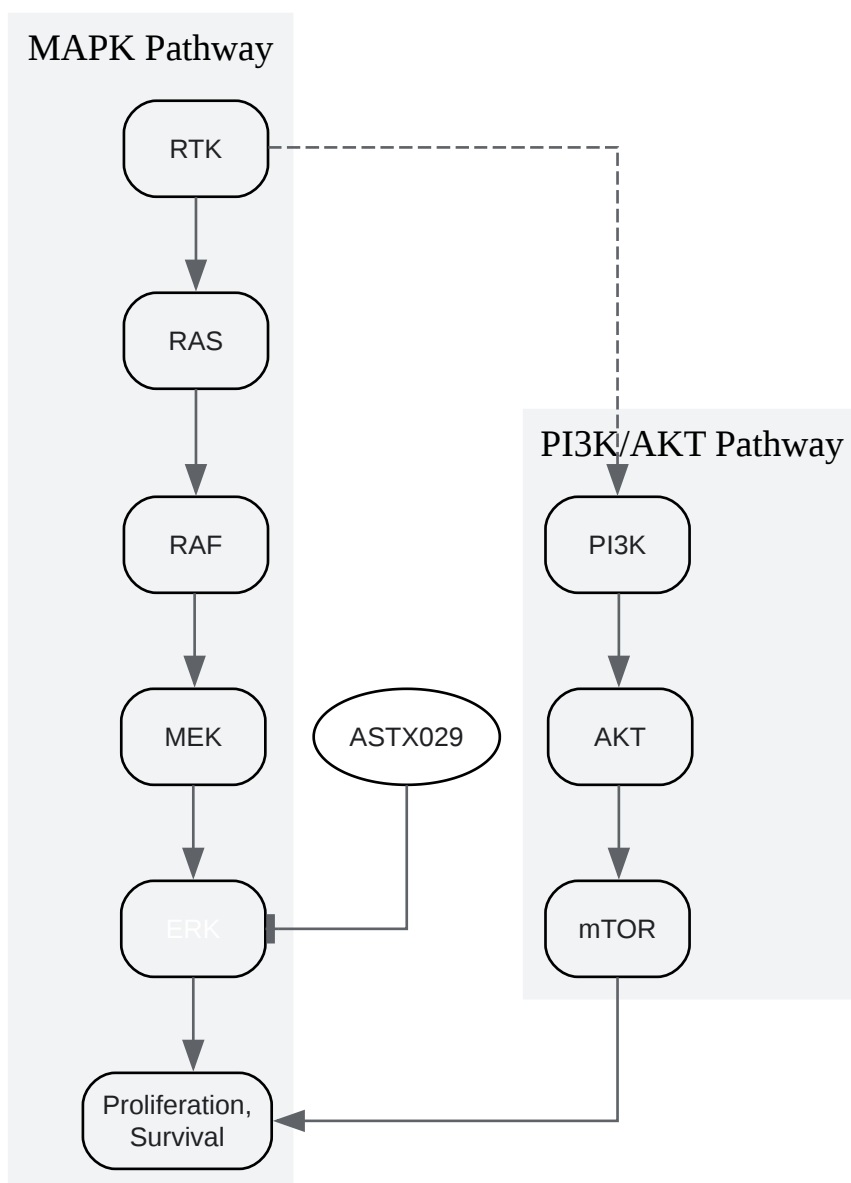
- Primary Antibody Incubation: Incubate the membrane with the primary antibody of interest overnight at 4°C.
- Secondary Antibody Incubation: Wash the membrane and incubate with the appropriate HRP-conjugated secondary antibody.
- Detection: Visualize the protein bands using a chemiluminescent substrate and an imaging system.
- Analysis: Quantify the band intensities and normalize to a loading control (e.g., GAPDH).

## Signaling Pathway Diagrams



[Click to download full resolution via product page](#)

Caption: The MAPK Signaling Pathway and the Action of **ASTX029**.



[Click to download full resolution via product page](#)

Caption: Potential Bypass Signaling through the PI3K/AKT Pathway.

#### Need Custom Synthesis?

BenchChem offers custom synthesis for rare earth carbides and specific isotopic labeling.

Email: [info@benchchem.com](mailto:info@benchchem.com) or [Request Quote Online](#).

## References

- [1. Mechanisms of acquired resistance to ERK1/2 pathway inhibitors - PubMed \[pubmed.ncbi.nlm.nih.gov\]](#)
- [2. aacrjournals.org \[aacrjournals.org\]](#)
- [3. erk-inhibition-overcomes-acquired-resistance-to-mek-inhibitors - Ask this paper | Bohrium \[bohrium.com\]](#)
- [4. ERK Mutations and Amplification Confer Resistance to ERK-Inhibitor Therapy - PubMed \[pubmed.ncbi.nlm.nih.gov\]](#)
- To cite this document: BenchChem. [Technical Support Center: Overcoming ASTX029 Resistance]. BenchChem, [2026]. [Online PDF]. Available at: [\[https://www.benchchem.com/product/b3025699/docs#technical-support-center-overcoming-astx029-resistance\]](https://www.benchchem.com/product/b3025699/docs#technical-support-center-overcoming-astx029-resistance)

---

### Disclaimer & Data Validity:

The information provided in this document is for Research Use Only (RUO) and is strictly not intended for diagnostic or therapeutic procedures. While BenchChem strives to provide accurate protocols, we make no warranties, express or implied, regarding the fitness of this product for every specific experimental setup.

**Technical Support:** The protocols provided are for reference purposes. Unsure if this reagent suits your experiment?

**Need Industrial/Bulk Grade?** [Request Custom Synthesis Quote](#)

## BenchChem

Our mission is to be the trusted global source of essential and advanced chemicals, empowering scientists and researchers to drive progress in science and industry.

### Contact

Address: 3281 E Guasti Rd  
Ontario, CA 91761, United States  
Phone: (601) 213-4426  
Email: [info@benchchem.com](mailto:info@benchchem.com)

Contact our Ph.D. Support Team for a compatibility check