

Technical Support Center: m-PEG4-NHS Ester Labeling

Author: BenchChem Technical Support Team. **Date:** April 2026

Compound of Interest

Compound Name:	m-PEG4-NHS ester
CAS No.:	174569-25-6; 622405-78-1
Cat. No.:	B2962238

[Get Quote](#)

This guide provides troubleshooting strategies and answers to frequently asked questions to help researchers, scientists, and drug development professionals overcome challenges with low labeling efficiency using **m-PEG4-NHS ester**.

Frequently Asked Questions (FAQs)

Q1: My labeling efficiency is very low, even after using a high molar excess of **m-PEG4-NHS ester**. What is the most likely cause?

Low labeling efficiency is often not due to the amount of PEG reagent used, but rather to suboptimal reaction conditions. The most critical factors are the pH of the reaction buffer and the presence of competing primary amines. The NHS ester is highly susceptible to hydrolysis, especially at higher pH values, which competes directly with the desired labeling reaction.^[1]^[2]

Q2: What is the optimal pH for labeling with **m-PEG4-NHS ester**?

The optimal pH range for NHS ester reactions is between 7.2 and 8.5.^[1] A pH of 8.3-8.5 is often recommended as an ideal starting point for efficient labeling of proteins and antibodies.^[3]^[4] Below this range, the primary amines on your target molecule are protonated and less

reactive. Above this range, the rate of reagent hydrolysis increases dramatically, reducing the amount available to react with your target.

Q3: Which buffers should I absolutely avoid for my labeling reaction?

Avoid any buffers that contain primary amines. Common examples include Tris (tris(hydroxymethyl)aminomethane) and glycine. These buffer components will compete with your target molecule for reaction with the **m-PEG4-NHS ester**, significantly lowering your labeling efficiency.

Q4: How can I check if my **m-PEG4-NHS ester** reagent is still active?

The NHS ester group is highly sensitive to moisture and can hydrolyze over time if not stored properly. To ensure maximum reactivity, always allow the reagent vial to equilibrate to room temperature before opening to prevent moisture condensation. Prepare the reagent solution immediately before use and discard any unused portion; do not prepare stock solutions for storage in aqueous buffers. The hydrolysis byproduct, NHS, absorbs light between 260-280 nm, so an increase in absorbance in this range for a dissolved reagent can indicate degradation.

Q5: Does reaction temperature and time matter?

Yes, both temperature and incubation time are important. Reactions are typically performed for 30-60 minutes at room temperature or for 2 hours to overnight at 4°C. Lowering the temperature to 4°C can help minimize the competing hydrolysis reaction, but may require a longer incubation time to achieve the desired degree of labeling.

Troubleshooting Guide

This section provides a systematic approach to diagnosing and resolving issues of low labeling efficiency.

Problem Area 1: Incorrect Reaction Buffer

Potential Issue	Explanation	Recommended Solution
Amine-Containing Buffer	Buffers like Tris or glycine contain primary amines that compete with the labeling reaction.	Use a non-amine buffer such as Phosphate-Buffered Saline (PBS) at pH 7.2-8.0 or Sodium Bicarbonate buffer at pH 8.3-8.5. If your protein is in an incompatible buffer, perform a buffer exchange using dialysis or a desalting column before labeling.
Incorrect pH	The reaction is highly pH-dependent. If the pH is too low (<7.2), the target amines are protonated and non-reactive. If the pH is too high (>9.0), hydrolysis of the NHS ester dominates.	Verify the pH of your reaction buffer using a calibrated pH meter. Adjust the buffer to the optimal range of 8.3-8.5 for most protein labeling applications.

Problem Area 2: Reagent Quality and Handling

Potential Issue	Explanation	Recommended Solution
Hydrolyzed Reagent	m-PEG4-NHS ester is moisture-sensitive. Exposure to humidity during storage or handling leads to hydrolysis, rendering the reagent inactive.	Store the reagent at -20°C with a desiccant. Always warm the vial to room temperature before opening. Prepare the solution in anhydrous DMSO or DMF immediately before use and do not store it in solution.
Degraded Solvent	DMF can degrade over time to form dimethylamine, which contains a secondary amine that can react with the NHS ester.	Use high-quality, anhydrous grade DMSO or DMF. If your DMF has a "fishy" odor, it has likely degraded and should not be used.

Problem Area 3: Suboptimal Reaction Parameters

Potential Issue	Explanation	Recommended Solution
Low Reactant Concentration	Labeling efficiency can be poor in dilute protein solutions due to the competing hydrolysis reaction.	If possible, increase the protein concentration. A concentration of at least 2 mg/mL is recommended. Dilute protein solutions may require a higher molar excess of the PEG reagent to achieve sufficient labeling.
Inadequate Molar Ratio	While high excess is not always the solution, an insufficient amount of reagent will lead to low labeling.	For antibodies at 1-10 mg/mL, a 20-fold molar excess of m-PEG4-NHS ester is a common starting point. However, the optimal ratio should be determined empirically for your specific molecule.
Steric Hindrance	The primary amines on the surface of the target molecule may be sterically hindered or inaccessible to the reagent.	While difficult to address without protein engineering, using a PEG linker with a longer spacer arm can sometimes help overcome steric hindrance.

Quantitative Data Summary

The efficiency of your labeling reaction is governed by several key quantitative parameters. The tables below provide recommended starting points and highlight critical variables.

Table 1: Effect of pH on NHS Ester Stability

pH	Temperature	Half-life of NHS Ester	Implication for Labeling
7.0	0°C	4-5 hours	Slower reaction, but minimal hydrolysis.
8.0	Room Temp	~3.5 hours (210 min)	Good balance between amine reactivity and hydrolysis.
8.5	Room Temp	~3 hours (180 min)	Optimal for many applications, faster reaction.
8.6	4°C	10 minutes	Very rapid hydrolysis, significantly reduced efficiency.

| 9.0 | Room Temp | ~2 hours (125 min) | High rate of hydrolysis, generally not recommended. |

Table 2: Recommended Reaction Conditions

Parameter	Recommended Range	Notes
pH	7.2 - 8.5 (Optimal: 8.3-8.5)	The single most critical parameter for success.
Molar Excess (PEG:Protein)	5-fold to 50-fold (Typical start: 20-fold)	Highly dependent on protein concentration and desired degree of labeling.
Protein Concentration	1 - 10 mg/mL (Minimum: 2 mg/mL)	Higher concentrations favor the labeling reaction over hydrolysis.
Reaction Time	30-60 min (Room Temp) or 2-4 hours (4°C)	Lower temperatures require longer incubation times.

| Organic Solvent | <10% of total reaction volume | High concentrations of DMSO or DMF can denature proteins. |

Experimental Protocols

General Protocol for Protein Labeling with **m-PEG4-NHS Ester**

This protocol provides a general guideline for conjugating **m-PEG4-NHS ester** to a protein such as an antibody.

Materials:

- Protein of interest in an amine-free buffer (e.g., 0.1 M Phosphate Buffer, 0.15 M NaCl, pH 7.2-8.0).
- **m-PEG4-NHS Ester**.
- Anhydrous Dimethylsulfoxide (DMSO) or Dimethylformamide (DMF).
- Quenching Buffer (e.g., 1 M Tris-HCl, pH 8.0, or 1M Glycine).
- Desalting column or dialysis cassette for purification.

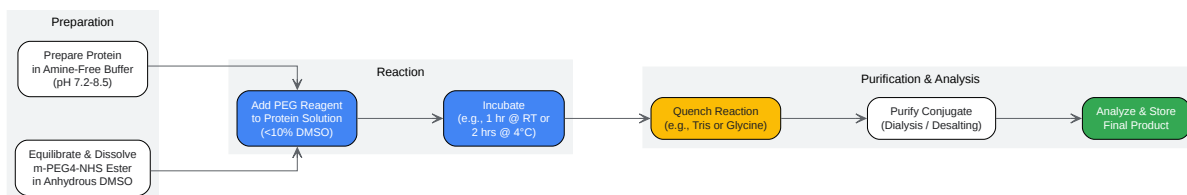
Procedure:

- Prepare the Protein Solution: Ensure your protein is at a suitable concentration (e.g., 2-10 mg/mL) in an amine-free buffer (e.g., PBS, pH 7.2-8.0).
- Prepare the PEG Reagent: Allow the **m-PEG4-NHS ester** vial to equilibrate to room temperature for at least 20 minutes before opening. Immediately before use, dissolve the reagent in anhydrous DMSO or DMF to create a stock solution (e.g., 10 mM).
- Calculate Reagent Volume: Determine the volume of the PEG stock solution needed to achieve the desired molar excess (e.g., a 20-fold molar excess).
- Initiate the Reaction: Add the calculated volume of the **m-PEG4-NHS ester** solution to the protein solution while gently stirring or vortexing. Ensure the final concentration of organic

solvent does not exceed 10% of the total reaction volume.

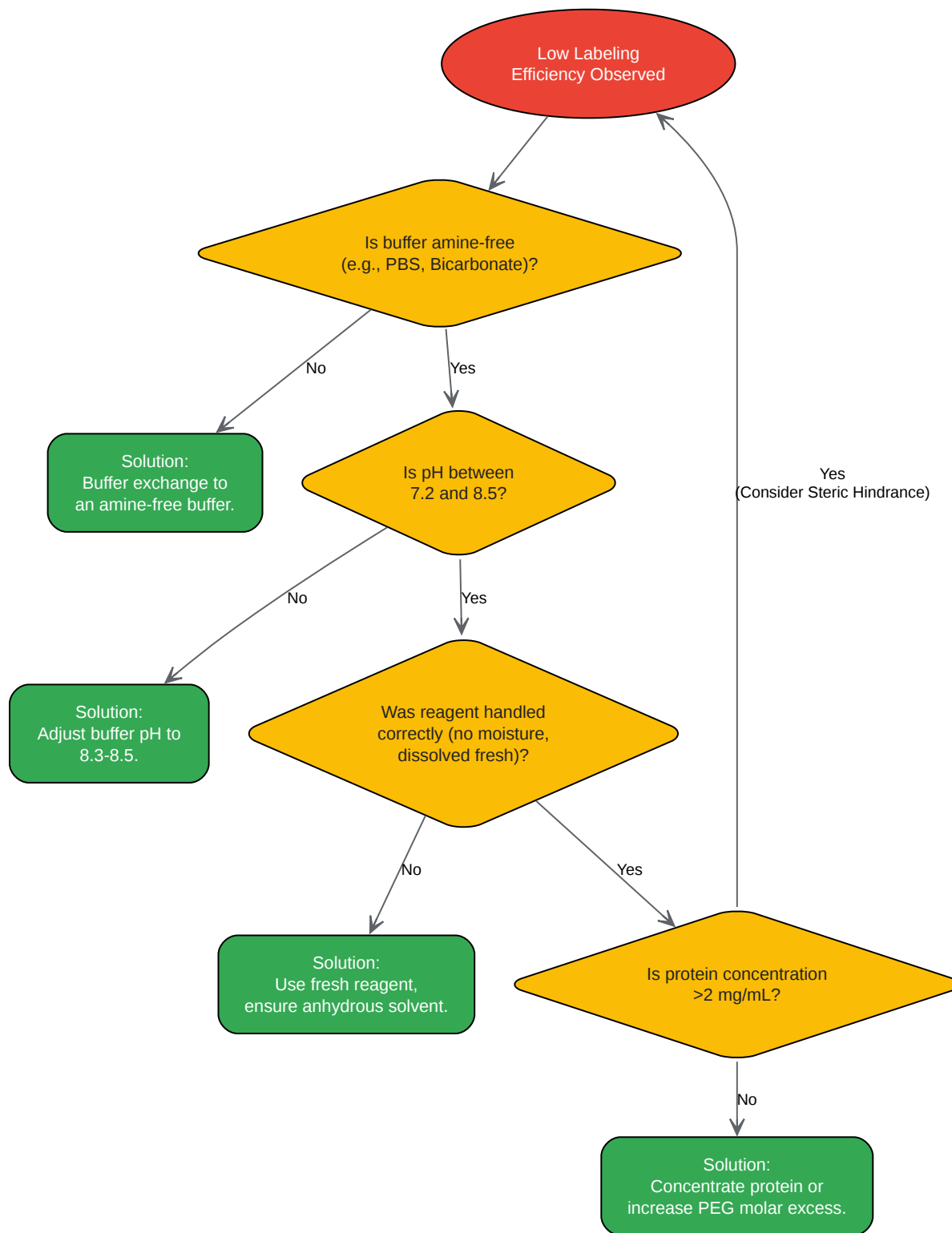
- Incubate: Incubate the reaction for 30-60 minutes at room temperature or for 2 hours at 4°C.
- Quench the Reaction (Optional but Recommended): Stop the reaction by adding the Quenching Buffer to a final concentration of 50-100 mM. Incubate for an additional 15-30 minutes at room temperature.
- Purify the Conjugate: Remove unreacted **m-PEG4-NHS ester** and reaction byproducts by using a desalting column or by dialyzing the sample against a suitable storage buffer (e.g., PBS).
- Store: Store the purified PEGylated protein under the same conditions as the original, unlabeled protein.

Visual Guides



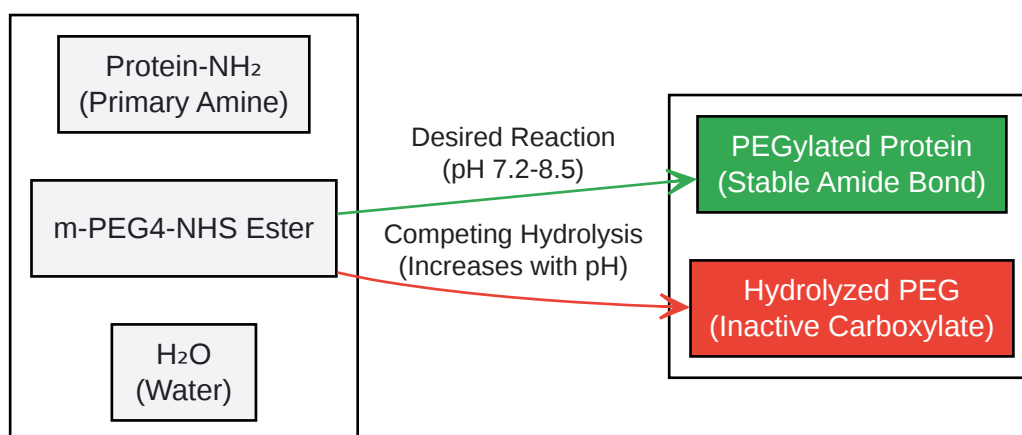
[Click to download full resolution via product page](#)

Caption: General experimental workflow for protein labeling with **m-PEG4-NHS ester**.



[Click to download full resolution via product page](#)

Caption: Troubleshooting decision tree for low **m-PEG4-NHS ester** labeling efficiency.



[Click to download full resolution via product page](#)

Caption: Chemical pathways showing desired labeling vs. competing hydrolysis.

Need Custom Synthesis?

BenchChem offers custom synthesis for rare earth carbides and specific isotopic labeling.

Email: info@benchchem.com or [Request Quote Online](#).

References

- [1. benchchem.com \[benchchem.com\]](https://www.benchchem.com)
- [2. benchchem.com \[benchchem.com\]](https://www.benchchem.com)
- [3. lumiprobe.com \[lumiprobe.com\]](https://www.lumiprobe.com)
- [4. fluidic.com \[fluidic.com\]](https://www.fluidic.com)
- To cite this document: BenchChem. [Technical Support Center: m-PEG4-NHS Ester Labeling]. BenchChem, [2026]. [Online PDF]. Available at: [\[https://www.benchchem.com/product/b2962238/docs#technical-support-center-m-peg4-nhs-ester-labeling\]](https://www.benchchem.com/product/b2962238/docs#technical-support-center-m-peg4-nhs-ester-labeling)

Disclaimer & Data Validity:

The information provided in this document is for Research Use Only (RUO) and is strictly not intended for diagnostic or therapeutic procedures. While BenchChem strives to provide accurate protocols, we make no warranties, express or implied, regarding the fitness of this product for every specific experimental setup.

Technical Support: The protocols provided are for reference purposes. Unsure if this reagent suits your experiment?

Need Industrial/Bulk Grade? [Request Custom Synthesis Quote](#)

BenchChem

Our mission is to be the trusted global source of essential and advanced chemicals, empowering scientists and researchers to drive progress in science and industry.

Contact

Address: 3281 E Guasti Rd
Ontario, CA 91761, United States
Phone: (601) 213-4426
Email: info@benchchem.com

[Contact our Ph.D. Support Team for a compatibility check](#)