

Application Notes and Protocols: Evaluating the Effects of PZ-1190 on Cognitive Function

Author: BenchChem Technical Support Team. **Date:** April 2026

Compound of Interest

Compound Name: PZ-1190
Cat. No.: B2952637

[Get Quote](#)

For Researchers, Scientists, and Drug Development Professionals

Abstract

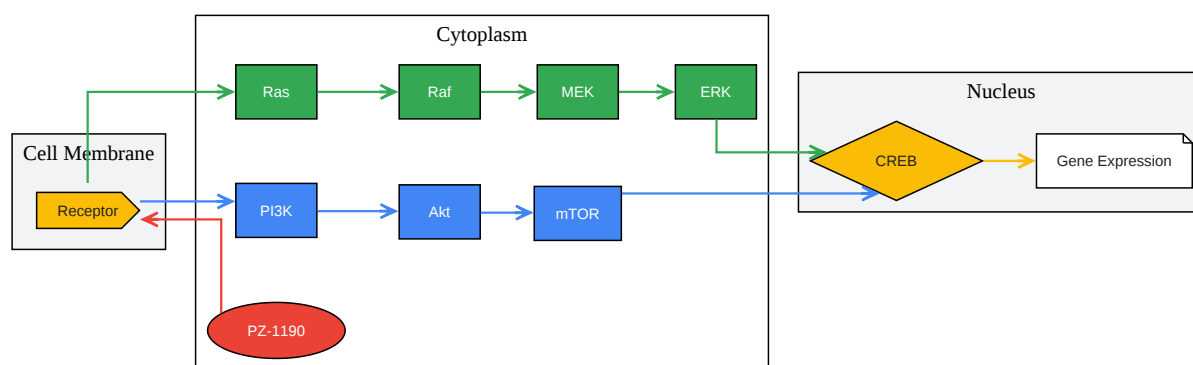
This document provides a comprehensive set of protocols for the preclinical evaluation of **PZ-1190**, a novel compound with putative cognitive-enhancing properties. The following application notes detail the methodologies for assessing the impact of **PZ-1190** on learning, memory, and synaptic plasticity using established rodent models. Detailed experimental workflows, data presentation formats, and a hypothesized mechanism of action involving key signaling pathways are described to guide researchers in their investigation of this compound.

Introduction

The pursuit of therapeutic agents capable of ameliorating cognitive deficits is a cornerstone of modern neuroscience research.^{[1][2][3][4]} **PZ-1190** has been synthesized as a potential nootropic agent, and a systematic evaluation of its efficacy and mechanism of action is imperative.^{[1][3]} This document outlines a multi-tiered approach for characterizing the cognitive effects of **PZ-1190**, encompassing behavioral assays and electrophysiological studies. The protocols provided herein are designed to be robust and reproducible, facilitating the generation of high-quality data for preclinical assessment.^[1]

Hypothesized Mechanism of Action

It is hypothesized that **PZ-1190** enhances cognitive function by modulating synaptic plasticity through the potentiation of key intracellular signaling cascades crucial for learning and memory. Specifically, **PZ-1190** is proposed to activate the Phosphatidylinositol 3-kinase (PI3K)/Protein Kinase B (Akt)/mammalian Target of Rapamycin (mTOR) pathway and the Mitogen-activated Protein Kinase (MAPK)/Extracellular signal-regulated Kinase (ERK) pathway.[5][6][7][8][9][10][11][12][13][14] Activation of these pathways is known to play a critical role in the induction and maintenance of long-term potentiation (LTP), a cellular correlate of learning and memory.[6][8][9][12]



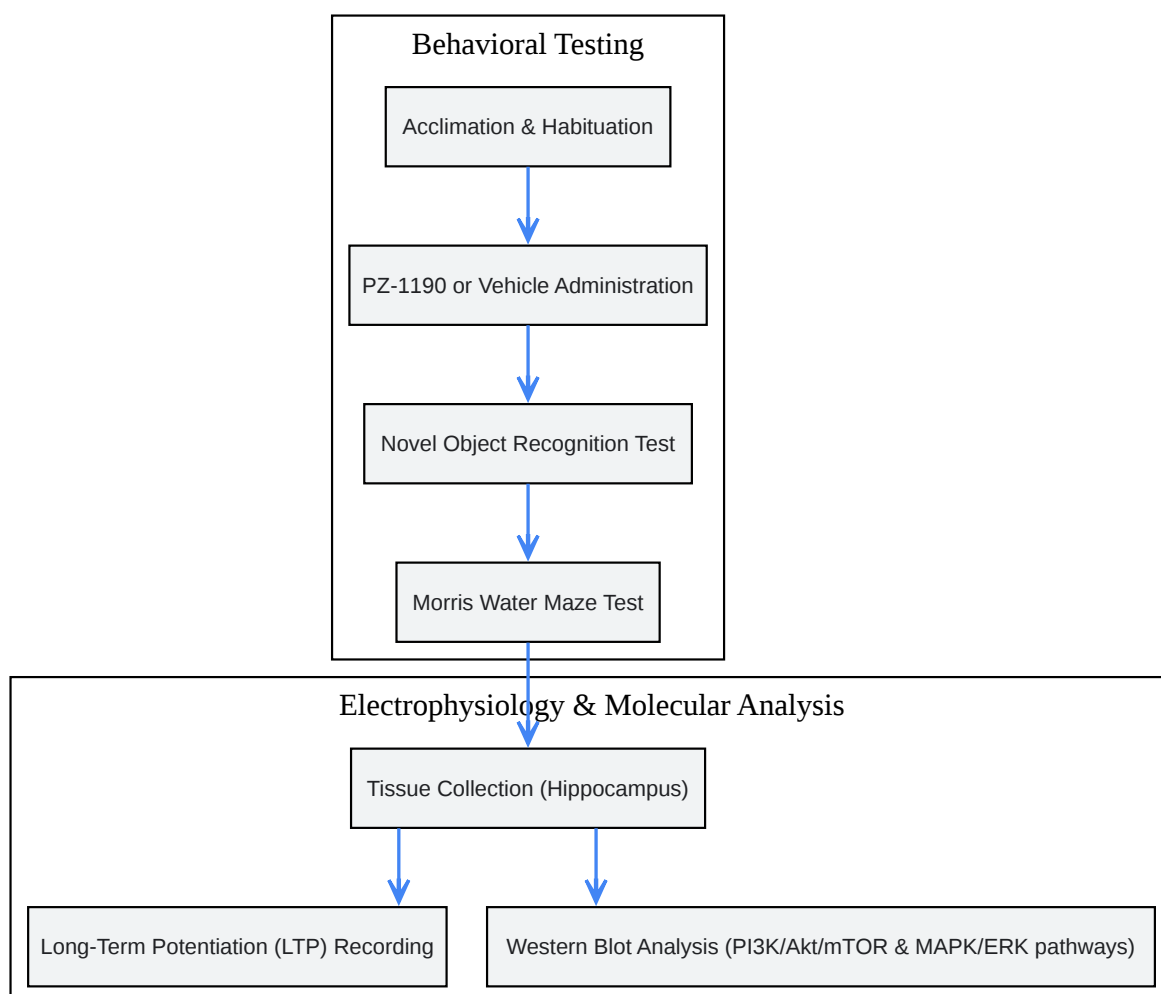
[Click to download full resolution via product page](#)

Caption: Hypothesized Signaling Pathway of **PZ-1190**.

Experimental Protocols

The following protocols are designed for adult male C57BL/6 mice. All animal procedures should be conducted in accordance with institutional and national guidelines for animal care and use.

Experimental Workflow



[Click to download full resolution via product page](#)

Caption: Overall Experimental Workflow.

Novel Object Recognition (NOR) Test

The NOR test is a widely used behavioral assay to assess recognition memory in rodents.^[15]
^[16]^[17]^[18]^[19]

Protocol:

- Habituation: Individually house mice in the testing room for at least 30 minutes before the test.[16][18] On day 1, allow each mouse to freely explore an empty open-field arena (40 cm x 40 cm x 40 cm) for 10 minutes.[16][17]
- Training (Familiarization) Phase: On day 2, 30 minutes after intraperitoneal (i.p.) injection of **PZ-1190** or vehicle, place two identical objects in the arena.[17] Allow the mouse to explore the objects for 10 minutes.[16][17]
- Testing Phase: After a retention interval of 24 hours, replace one of the familiar objects with a novel object.[17] Place the mouse back in the arena and record its exploratory behavior for 5 minutes using an overhead video camera and tracking software.
- Data Analysis: The time spent exploring the novel object versus the familiar object is measured. A discrimination index (DI) is calculated as: $(\text{Time exploring novel object} - \text{Time exploring familiar object}) / (\text{Total exploration time})$. A higher DI indicates better recognition memory.

Morris Water Maze (MWM) Test

The MWM test assesses hippocampal-dependent spatial learning and memory.[20][21][22][23][24]

Protocol:

- Apparatus: A circular pool (120 cm in diameter) filled with water made opaque with non-toxic white paint.[20][21][23] A hidden platform (10 cm in diameter) is submerged 1 cm below the water surface.[20][22] The pool is located in a room with various distal visual cues.[22][23]
- Acquisition Phase (4 days): Administer **PZ-1190** or vehicle 30 minutes before the first trial of each day. Conduct four trials per day for four consecutive days. For each trial, gently place the mouse into the water at one of four starting positions. Allow the mouse to swim freely for a maximum of 60 seconds to find the hidden platform.[24] If the mouse fails to find the platform within 60 seconds, guide it to the platform.[24] Allow the mouse to remain on the platform for 15 seconds.[24]
- Probe Trial (Day 5): Remove the platform from the pool. Place the mouse in the pool at a novel starting position and allow it to swim for 60 seconds.

- **Data Analysis:** Record the escape latency (time to find the platform) and swim path during the acquisition phase. In the probe trial, measure the time spent in the target quadrant (where the platform was previously located).

Long-Term Potentiation (LTP) Measurement

LTP is a form of synaptic plasticity that is widely considered a cellular mechanism underlying learning and memory.^{[6][25][26][27]}

Protocol:

- **Slice Preparation:** Prepare acute hippocampal slices (300-400 μm thick) from mice treated with **PZ-1190** or vehicle.
- **Recording:** Place the slices in a recording chamber perfused with artificial cerebrospinal fluid (aCSF). Record field excitatory postsynaptic potentials (fEPSPs) from the stratum radiatum of the CA1 region by stimulating the Schaffer collateral pathway.
- **Baseline Recording:** Establish a stable baseline of fEPSPs for at least 20 minutes by delivering single pulses every 30 seconds.
- **LTP Induction:** Induce LTP using a high-frequency stimulation (HFS) protocol, such as theta-burst stimulation (e.g., 10 bursts of 4 pulses at 100 Hz, with a 200 ms inter-burst interval).^{[25][27]}
- **Post-HFS Recording:** Record fEPSPs for at least 60 minutes following HFS to measure the potentiation.
- **Data Analysis:** The magnitude of LTP is expressed as the percentage increase in the fEPSP slope relative to the pre-HFS baseline.

Data Presentation

Quantitative data from the described experiments should be summarized in clearly structured tables for easy comparison between treatment groups.

Table 1: Effects of **PZ-1190** on Novel Object Recognition

Treatment Group	N	Discrimination Index (Mean ± SEM)
Vehicle	12	0.15 ± 0.05
PZ-1190 (1 mg/kg)	12	0.35 ± 0.06
PZ-1190 (5 mg/kg)	12	0.52 ± 0.07**
PZ-1190 (10 mg/kg)	12	0.68 ± 0.08***

p < 0.05, **p < 0.01, ***p < 0.001 compared to Vehicle

 Table 2: Effects of **PZ-1190** on Morris Water Maze Performance

Treatment Group	N	Day 4 Escape Latency (s, Mean ± SEM)	Probe Trial - Time in Target Quadrant (s, Mean ± SEM)
Vehicle	12	25.3 ± 2.1	18.2 ± 1.5
PZ-1190 (5 mg/kg)	12	15.8 ± 1.8	28.9 ± 2.0

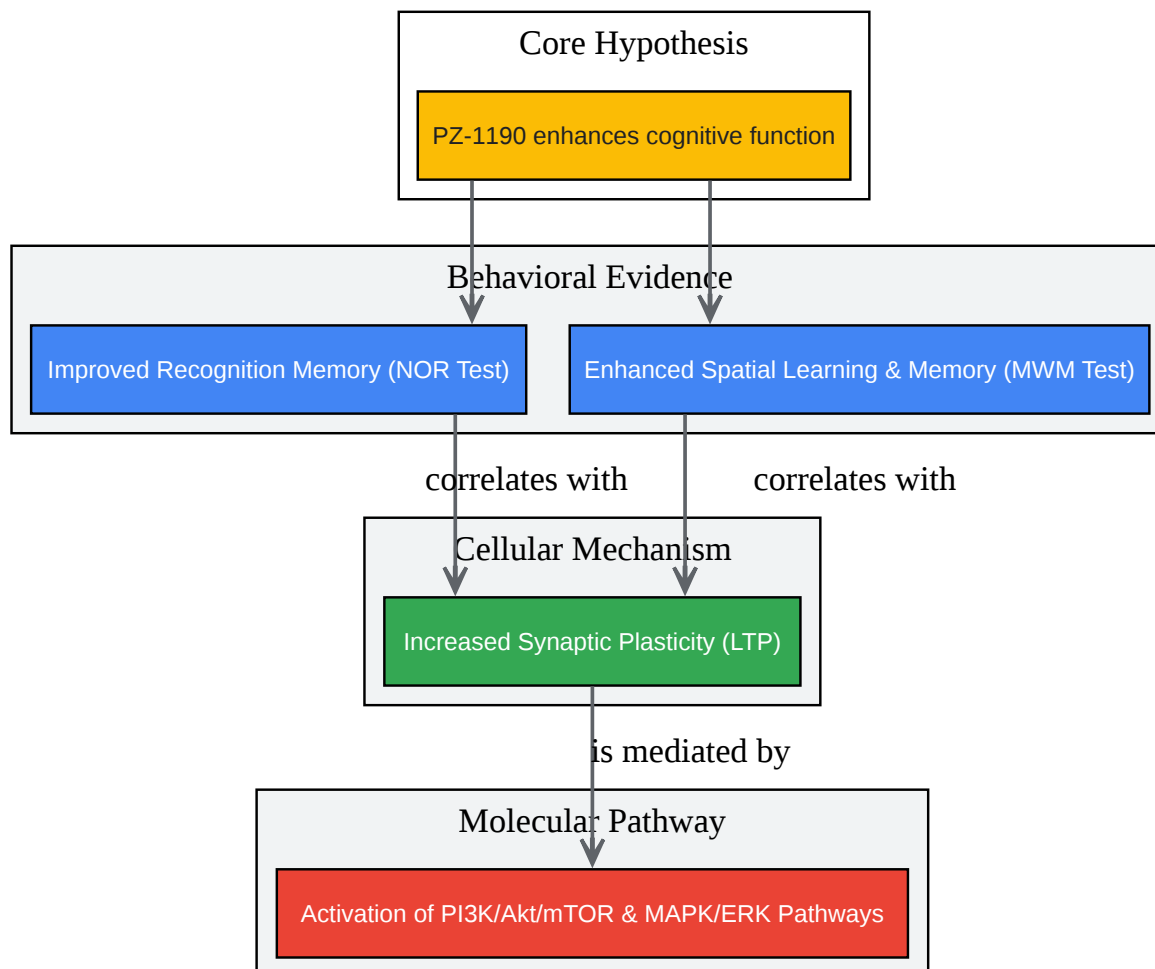
*p < 0.05, **p < 0.01 compared to Vehicle

 Table 3: Effects of **PZ-1190** on Hippocampal Long-Term Potentiation

Treatment Group	N	LTP Magnitude (% of Baseline, Mean ± SEM)
Vehicle	8	145.2 ± 8.3
PZ-1190 (5 mg/kg)	8	198.6 ± 10.1**

*p < 0.05, **p < 0.01 compared to Vehicle

Logical Relationship of Experimental Design



[Click to download full resolution via product page](#)

Need Custom Synthesis?

BenchChem offers custom synthesis for rare earth carbides and specific isotopic labeling.

Email: info@benchchem.com or [Request Quote Online](#).

References

- 1. [Preclinical research into cognition enhancers - PubMed \[pubmed.ncbi.nlm.nih.gov\]](#)

- [2. research.monash.edu \[research.monash.edu\]](https://research.monash.edu)
- [3. Frontiers | Screening and personalizing nootropic drugs and cognitive modulator regimens in silico \[frontiersin.org\]](https://www.frontiersin.org)
- [4. Progress in novel cognitive enhancers for cognitive aging and Alzheimer's disease - PMC \[pmc.ncbi.nlm.nih.gov\]](https://pubmed.ncbi.nlm.nih.gov)
- [5. mdpi.com \[mdpi.com\]](https://www.mdpi.com)
- [6. ERK in Learning and Memory: A Review of Recent Research - PMC \[pmc.ncbi.nlm.nih.gov\]](https://pubmed.ncbi.nlm.nih.gov)
- [7. e-century.us \[e-century.us\]](https://www.e-century.us)
- [8. researchgate.net \[researchgate.net\]](https://www.researchgate.net)
- [9. The PI3K/Akt signaling axis in Alzheimer's disease: a valuable target to stimulate or suppress? - PMC \[pmc.ncbi.nlm.nih.gov\]](https://pubmed.ncbi.nlm.nih.gov)
- [10. The role of PI3K signaling pathway in Alzheimer's disease - PMC \[pmc.ncbi.nlm.nih.gov\]](https://pubmed.ncbi.nlm.nih.gov)
- [11. Role of PI3K/Akt signaling in memory CD8 T cell differentiation - PMC \[pmc.ncbi.nlm.nih.gov\]](https://pubmed.ncbi.nlm.nih.gov)
- [12. Frontiers | Contributions of extracellular-signal regulated kinase 1/2 activity to the memory trace \[frontiersin.org\]](https://www.frontiersin.org)
- [13. researchgate.net \[researchgate.net\]](https://www.researchgate.net)
- [14. researchgate.net \[researchgate.net\]](https://www.researchgate.net)
- [15. 2.4. Novel object recognition test \[bio-protocol.org\]](https://www.bio-protocol.org)
- [16. mmpc.org \[mmpc.org\]](https://www.mmpc.org)
- [17. Novel Object Recognition Test for the Investigation of Learning and Memory in Mice - PMC \[pmc.ncbi.nlm.nih.gov\]](https://pubmed.ncbi.nlm.nih.gov)
- [18. behaviorcloud.com \[behaviorcloud.com\]](https://www.behaviorcloud.com)
- [19. fbri.vtc.vt.edu \[fbri.vtc.vt.edu\]](https://fbri.vtc.vt.edu)
- [20. researchgate.net \[researchgate.net\]](https://www.researchgate.net)
- [21. mmpc.org \[mmpc.org\]](https://www.mmpc.org)
- [22. Morris water maze: procedures for assessing spatial and related forms of learning and memory - PMC \[pmc.ncbi.nlm.nih.gov\]](https://pubmed.ncbi.nlm.nih.gov)
- [23. Optimizing Morris Water Maze Experiments: Tips and Tricks for Researchers \[sandiegoinstruments.com\]](https://www.sandiegoinstruments.com)

- [24. Morris Water Maze \(Rats\) | Animals in Science \[queensu.ca\]](#)
- [25. Long-Term Potentiation by Theta-Burst Stimulation using Extracellular Field Potential Recordings in Acute Hippocampal Slices - PMC \[pmc.ncbi.nlm.nih.gov\]](#)
- [26. Advances in the Electrophysiological Recordings of Long-Term Potentiation - PMC \[pmc.ncbi.nlm.nih.gov\]](#)
- [27. researchgate.net \[researchgate.net\]](#)
- To cite this document: BenchChem. [Application Notes and Protocols: Evaluating the Effects of PZ-1190 on Cognitive Function]. BenchChem, [2026]. [Online PDF]. Available at: [\[https://www.benchchem.com/product/b2952637/docs#application-notes-and-protocols-evaluating-the-effects-of-pz-1190-on-cognitive-function\]](https://www.benchchem.com/product/b2952637/docs#application-notes-and-protocols-evaluating-the-effects-of-pz-1190-on-cognitive-function)

Disclaimer & Data Validity:

The information provided in this document is for Research Use Only (RUO) and is strictly not intended for diagnostic or therapeutic procedures. While BenchChem strives to provide accurate protocols, we make no warranties, express or implied, regarding the fitness of this product for every specific experimental setup.

Technical Support: The protocols provided are for reference purposes. Unsure if this reagent suits your experiment?

Need Industrial/Bulk Grade? [Request Custom Synthesis Quote](#)

BenchChem

Our mission is to be the trusted global source of essential and advanced chemicals, empowering scientists and researchers to drive progress in science and industry.

Contact

Address: 3281 E Guasti Rd
Ontario, CA 91761, United States
Phone: (601) 213-4426
Email: info@benchchem.com

Contact our Ph.D. Support Team for a compatibility check