

Technical Support Center: LDLR Regulator-1 & LDLR Stability

Author: BenchChem Technical Support Team. **Date:** May 2026

Compound of Interest

Compound Name: *LDLR regulator-1*

Cat. No.: *B2388951*

[Get Quote](#)

Welcome to the technical support center for LDLR regulators. This resource provides troubleshooting guides and frequently asked questions (FAQs) to assist researchers, scientists, and drug development professionals in overcoming common challenges related to the solubility and stability of LDLR modulators and the LDLR protein itself.

Section 1: LDLR Regulator-1 (Small Molecule) Solubility and Stability

This section focuses on troubleshooting issues related to small molecule modulators of LDLR, using "LDLR regulator-1" as a representative example.

Frequently Asked Questions (FAQs)

Q1: My **LDLR regulator-1** precipitated out of solution when I added it to my cell culture medium. What should I do?

A1: Precipitation is a common issue with hydrophobic small molecules. Here are several troubleshooting steps:

- **Optimize Dilution:** Instead of adding a concentrated stock (e.g., in DMSO) directly to a large volume of media, perform serial dilutions in pre-warmed (37°C) media. Adding the compound dropwise while gently vortexing can also improve solubility.
- **Use Pre-Warmed Media:** Adding the compound to cold media can decrease its solubility. Ensure your culture medium is at 37°C before adding the compound.
- **Check Final Concentration:** You may be exceeding the solubility limit of the compound in aqueous media. Try using a lower final concentration. The final concentration of organic solvents like DMSO should typically be kept below 0.5% to avoid cytotoxicity.[1]
- **Formulation with Solubilizing Agents:** For in vitro studies, consider formulating the compound with solubilizing agents like cyclodextrins (e.g., hydroxypropyl- β -cyclodextrin) to enhance aqueous solubility.[1]

Q2: I'm observing a diminishing or inconsistent effect of **LDLR regulator-1** in my multi-day experiment. What could be the cause?

A2: A loss of effect over time often points to compound instability in the cell culture environment. Potential causes include:

- **Chemical Degradation:** The compound may be chemically unstable at 37°C in the culture medium. Factors like pH and media components can contribute to degradation.[2]
- **Metabolic Instability:** Cells can metabolize the compound into inactive forms.[3]
- **Binding to Plasticware or Serum Proteins:** The compound may adsorb to the surface of cell culture plates or bind to proteins in fetal bovine serum (FBS), reducing its bioavailable concentration.[3]

To address this, consider conducting a stability study by incubating the compound in your cell culture medium over the duration of your experiment and measuring its concentration at various time points using methods like LC-MS/MS or HPLC.[3][4] If instability is confirmed, more frequent media changes with a freshly prepared compound may be necessary.[3]

Troubleshooting Guide: Small Molecule Solubility and Stability

Issue	Potential Cause	Recommended Action
Precipitation in Media	Exceeding solubility limit.	Lower the final concentration. Perform serial dilutions in pre-warmed media.[2]
Poor mixing.	Add the compound dropwise while gently stirring or vortexing.[1]	
Temperature shock.	Use pre-warmed (37°C) media.[1][2]	
Loss of Biological Activity Over Time	Chemical degradation in media.	Conduct a stability study by incubating the compound in media and analyzing its concentration over time.[3]
Cellular metabolism.	Perform an in vitro metabolic stability assay. Consider more frequent dosing if the compound is rapidly metabolized.[3]	
Adsorption to plasticware or binding to serum proteins.	Use low-binding plates. Evaluate the effect of serum concentration on compound activity.[3]	
Inconsistent Results Between Experiments	Stock solution instability.	Prepare fresh stock solutions regularly. Aliquot stock solutions for single use to avoid freeze-thaw cycles.[3]
Variability in media or serum lots.	Use a single lot of media and serum for a set of related experiments.[3]	

Section 2: LDLR Protein Stability and Degradation

This section provides guidance on issues related to the stability and degradation of the Low-Density Lipoprotein Receptor (LDLR) protein itself.

Frequently Asked Questions (FAQs)

Q1: What are the primary pathways that regulate LDLR protein degradation?

A1: The two main E3 ubiquitin ligases that mediate LDLR degradation are PCSK9 and IDOL.[5]

- PCSK9 (Proprotein Convertase Subtilisin/Kexin type 9): Secreted PCSK9 binds to the extracellular domain of LDLR. The PCSK9-LDLR complex is then internalized and targeted for lysosomal degradation, preventing the recycling of LDLR to the cell surface.[6]
- IDOL (Inducible Degradation of the LDLR): IDOL is an intracellular E3 ubiquitin ligase that ubiquitinates the cytoplasmic tail of the LDLR, marking it for lysosomal degradation.[7]
- ASGR1 (Asialoglycoprotein Receptor 1): This receptor, primarily in hepatocytes, can bind to the glycosylated LDLR and promote its internalization and lysosomal degradation.[5]

Q2: How can I measure the stability of the LDLR protein in my experimental system?

A2: LDLR protein stability is typically assessed by measuring its half-life. A common method is a pulse-chase experiment using a protein synthesis inhibitor like cycloheximide.

- Treat your cells with cycloheximide to block new protein synthesis.
- Collect cell lysates at various time points after treatment (e.g., 0, 4, 8, 12 hours).
- Analyze LDLR protein levels at each time point by Western blotting.
- Quantify the band intensities and plot them over time to calculate the half-life of the LDLR protein.[8]

Q3: My Western blot for LDLR shows multiple bands. What do they represent?

A3: You are likely observing the precursor and mature forms of the LDLR protein. The precursor form has a molecular weight of approximately 120 kDa, while the mature, fully glycosylated form is around 160 kDa.[9]

Quantitative Data: LDLR Half-Life

The stability of LDLR can be influenced by various factors, including diet and the presence of regulatory proteins.

Condition	System	LDLR Half-Life (t _{1/2})	Reference
Control Diet	Mouse Liver	7 ± 2 hours	[10]
High-Cholesterol Diet	Mouse Liver	11 ± 1 hours	[10]

Experimental Protocols

Protocol 1: Western Blot Analysis of LDLR Protein Levels

This protocol provides a general workflow for assessing changes in LDLR protein expression in response to treatment with an LDLR regulator.

- Cell Culture and Treatment:
 - Plate cells (e.g., HepG2) and allow them to adhere overnight.
 - Treat cells with your LDLR regulator at the desired concentrations for a specified time (e.g., 24-48 hours). Include a vehicle control (e.g., DMSO).[9]
- Cell Lysis:
 - Wash cells with ice-cold PBS.
 - Lyse cells in RIPA buffer containing protease inhibitors.[7]
 - Centrifuge to pellet cell debris and collect the supernatant containing the protein lysate.
- Protein Quantification:

- Determine the protein concentration of each lysate using a BCA protein assay.[9]
- SDS-PAGE and Western Blotting:
 - Load equal amounts of protein (20-40 µg) per lane on an SDS-PAGE gel.[9]
 - Transfer the separated proteins to a PVDF membrane.[9]
 - Block the membrane with 5% non-fat milk or BSA in TBST.
 - Incubate with a primary antibody against LDLR overnight at 4°C.
 - Wash and incubate with an HRP-conjugated secondary antibody.
 - Visualize bands using a chemiluminescent substrate.
- Data Analysis:
 - Quantify band intensities using densitometry software (e.g., ImageJ).[9]
 - Normalize LDLR band intensity to a loading control (e.g., β-actin or GAPDH).[9]

Protocol 2: LDL Uptake Assay

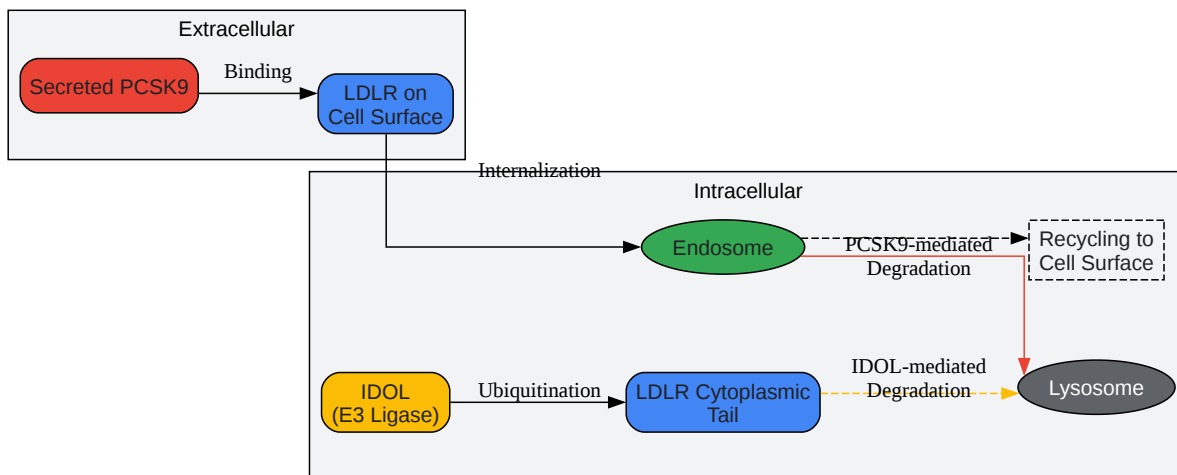
This assay measures the functional activity of LDLR by quantifying the uptake of fluorescently labeled LDL.

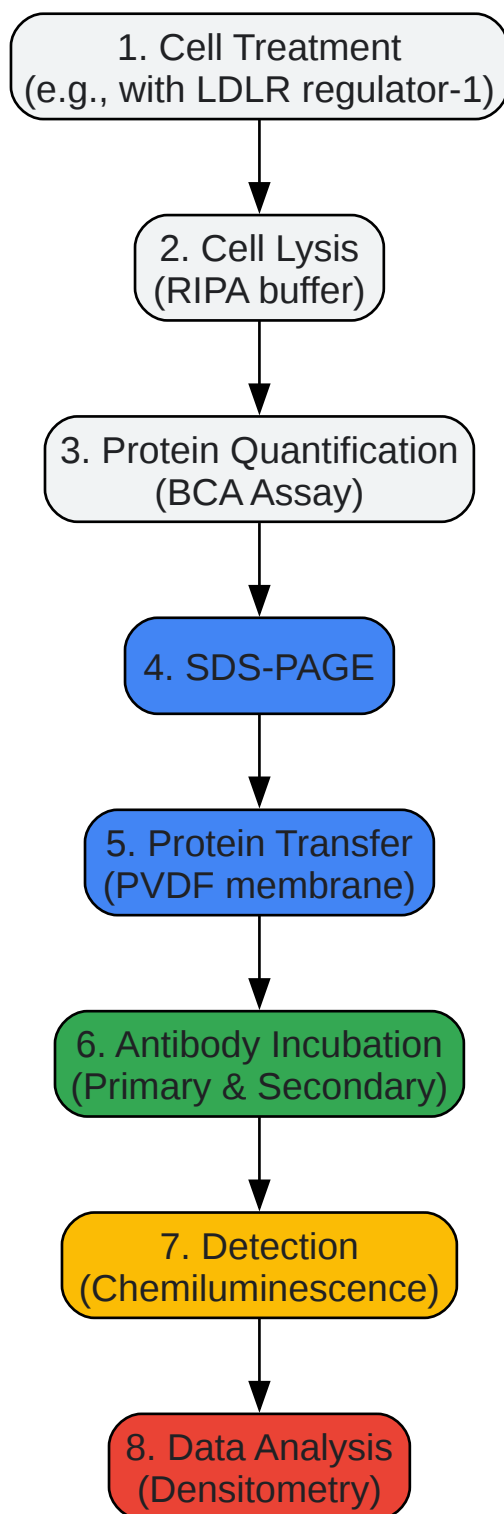
- Cell Culture and Treatment:
 - Plate cells in a multi-well plate suitable for fluorescence imaging.
 - Treat cells with your LDLR regulator as required.
- LDL Uptake:
 - Incubate the treated cells with fluorescently labeled LDL (e.g., pHrodo™ Red LDL) for a desired period (e.g., 4 hours).[11]
- Imaging and Analysis:

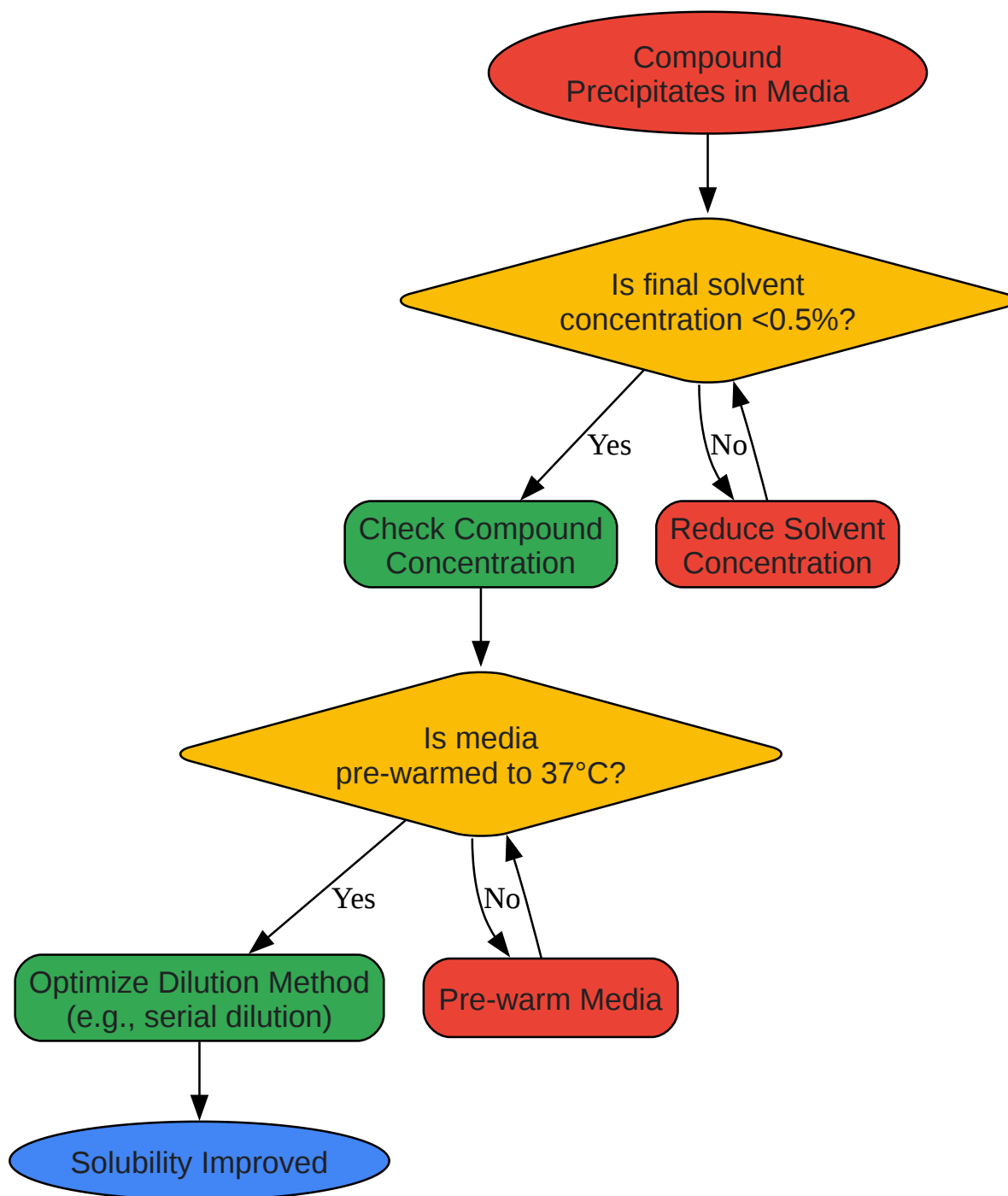
- Use a live-cell imaging system to capture fluorescence and phase-contrast images at regular intervals.[\[11\]](#)
- Quantify the total fluorescence intensity and normalize it to the cell area to determine the extent of LDL uptake.[\[11\]](#)
- Inhibitors of LDL uptake, such as recombinant PCSK9 protein, can be used as controls.
[\[11\]](#)

Visualizations

Signaling Pathways and Experimental Workflows







[Click to download full resolution via product page](#)

Need Custom Synthesis?

BenchChem offers custom synthesis for rare earth carbides and specific isotopic labeling.

Email: info@benchchem.com or [Request Quote Online](#).

References

- [1. benchchem.com \[benchchem.com\]](#)
- [2. benchchem.com \[benchchem.com\]](#)
- [3. benchchem.com \[benchchem.com\]](#)
- [4. researchgate.net \[researchgate.net\]](#)
- [5. The life cycle of the low-density lipoprotein receptor: insights from cellular and in-vivo studies - PubMed \[pubmed.ncbi.nlm.nih.gov\]](#)
- [6. PCSK9 and LDLR degradation: regulatory mechanisms in circulation and in cells - PMC \[pmc.ncbi.nlm.nih.gov\]](#)
- [7. Distinct Functional Domains Contribute to Degradation of the Low Density Lipoprotein Receptor \(LDLR\) by the E3 Ubiquitin Ligase Inducible Degradator of the LDLR \(IDOL\) - PMC \[pmc.ncbi.nlm.nih.gov\]](#)
- [8. A dual-reporter LDLR system integrating fluorescence and luminescence for understanding LDLR regulation and facilitating drug discovery - PMC \[pmc.ncbi.nlm.nih.gov\]](#)
- [9. benchchem.com \[benchchem.com\]](#)
- [10. ahajournals.org \[ahajournals.org\]](#)
- [11. LDL Cholesterol Uptake Assay Using Live Cell Imaging Analysis with Cell Health Monitoring - PMC \[pmc.ncbi.nlm.nih.gov\]](#)
- To cite this document: BenchChem. [Technical Support Center: LDLR Regulator-1 & LDLR Stability]. BenchChem, [2026]. [Online PDF]. Available at: [\[https://www.benchchem.com/product/b2388951/docs#technical-support-center-ldlr-regulator-1-ldlr-stability\]](https://www.benchchem.com/product/b2388951/docs#technical-support-center-ldlr-regulator-1-ldlr-stability)

Disclaimer & Data Validity:

The information provided in this document is for Research Use Only (RUO) and is strictly not intended for diagnostic or therapeutic procedures. While BenchChem strives to provide accurate protocols, we make no warranties, express or implied, regarding the fitness of this product for every specific experimental setup.

Technical Support: The protocols provided are for reference purposes. Unsure if this reagent suits your experiment?

Need Industrial/Bulk Grade? [Request Custom Synthesis Quote](#)

BenchChem

Our mission is to be the trusted global source of essential and advanced chemicals, empowering scientists and researchers to drive progress in science and industry.

Contact

Address: 3281 E Guasti Rd
Ontario, CA 91761, United States
Phone: (601) 213-4426
Email: info@benchchem.com

[Contact our Ph.D. Support Team for a compatibility check](#)