

# Application Notes: Preparing Protoveratrine A Stock Solutions

**Author:** BenchChem Technical Support Team. **Date:** April 2026

## Compound of Interest

Compound Name: Protoveratrine A

CAS No.: 143-57-7

Cat. No.: B190313

[Get Quote](#)

## Introduction

**Protoveratrine A** is a naturally occurring steroidal alkaloid derived from plants of the *Veratrum* genus.[1] It is a potent pharmacological agent known for its hypotensive, cardiotonic, and vasoconstrictive effects, making it a valuable tool in cardiovascular research and hypertension studies.[1][2] Proper preparation of stock solutions is critical for obtaining accurate, reproducible, and reliable experimental results. These application notes provide detailed protocols and essential data for the preparation, storage, and handling of **Protoveratrine A** solutions for research applications.

## Physicochemical Properties

A summary of the key chemical and physical properties of **Protoveratrine A** is essential for accurate stock solution preparation and experimental design.

Property	Value
Molecular Formula	C <sub>41</sub> H <sub>63</sub> NO <sub>14</sub>
Molecular Weight	793.94 g/mol [1][3]
CAS Number	143-57-7[1][3]
Appearance	White powder or colorless crystals[3][4]
Melting Point	267-269 °C[3][4]
Purity	>98% (as typically supplied for research)

## Solubility Data

**Protoveratrine A** is practically insoluble in water but readily dissolves in several organic solvents.[1][4] Selecting the appropriate solvent is crucial for creating a stable, homogenous stock solution.

Solvent	Solubility	Notes
Dimethyl Sulfoxide (DMSO)	Readily Soluble[1][3][5]	The most common solvent for preparing high-concentration stock solutions for in vitro experiments.
Chloroform	Readily Soluble[1][3][4][5]	A suitable solvent, but its volatility and toxicity require careful handling.
Dichloromethane (DCM)	Readily Soluble[1][3][5]	Similar properties to chloroform.
Ethyl Acetate	Readily Soluble[1][3][5]	Another viable organic solvent.
Acetone	Readily Soluble[1][3][5]	Can be used for solubilization.
Hot Alcohol (e.g., Ethanol)	Soluble[1][4]	Solubility is temperature-dependent.
Water	Practically Insoluble (Est. $2.9 \times 10^{-3}$ g/L)[1]	Not suitable for preparing stock solutions.
Petroleum Ether	Insoluble[1][4]	Not a suitable solvent.

## Experimental Protocols

### Protocol 1: Preparation of a 10 mM Protoveratrine A Stock Solution in DMSO

This protocol describes the preparation of a high-concentration stock solution for use in cell-based assays and other in vitro experiments.

Safety Precautions:

- **Protoveratrine A** is highly toxic. It is fatal if swallowed, inhaled, or in contact with skin.[6]
- Always handle **Protoveratrine A** powder and its solutions inside a certified chemical fume hood.

- Wear appropriate Personal Protective Equipment (PPE), including a lab coat, safety goggles, and chemical-resistant gloves (e.g., nitrile).
- Refer to the Safety Data Sheet (SDS) for complete safety and handling information before starting any work.

#### Materials:

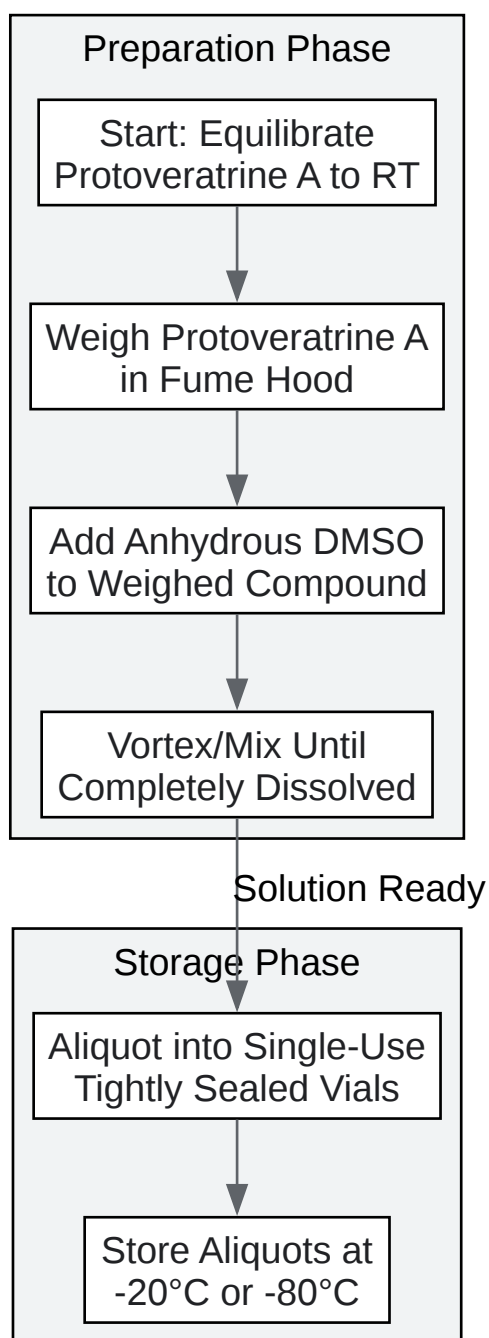
- **Protoveratrine A** (solid powder)
- Anhydrous, sterile Dimethyl Sulfoxide (DMSO)
- Calibrated analytical balance
- Microcentrifuge tubes or amber glass vials
- Sterile, chemical-resistant pipette and tips

#### Procedure:

- **Equilibration:** Allow the vial containing **Protoveratrine A** powder to equilibrate to room temperature for at least 1 hour before opening to prevent moisture condensation.[5]
- **Weighing:** In a chemical fume hood, carefully weigh the desired amount of **Protoveratrine A** powder. For example, to prepare 1 mL of a 10 mM stock solution, weigh 7.94 mg of **Protoveratrine A**.
  - Calculation:  $\text{Volume (L)} \times \text{Concentration (mol/L)} \times \text{Molecular Weight (g/mol)} = \text{Mass (g)}$
  - $0.001 \text{ L} \times 0.010 \text{ mol/L} \times 793.94 \text{ g/mol} = 0.00794 \text{ g} = 7.94 \text{ mg}$
- **Dissolution:** Add the weighed **Protoveratrine A** powder to a sterile vial. Using a calibrated pipette, add the calculated volume of DMSO (e.g., 1 mL for 7.94 mg) to the vial.
- **Mixing:** Cap the vial tightly and vortex thoroughly until the solid is completely dissolved. Gentle warming in a water bath (37°C) may aid dissolution if necessary.

- Aliquoting and Storage: To avoid repeated freeze-thaw cycles, aliquot the stock solution into smaller, single-use volumes in tightly sealed vials.[7]
- Storage Conditions: Store the aliquots at  $-20^{\circ}\text{C}$ . Under these conditions, the solution is generally stable for up to two weeks.[5] For longer-term storage,  $-80^{\circ}\text{C}$  is recommended.

## Workflow for Preparing Protoveratrine A Stock Solution



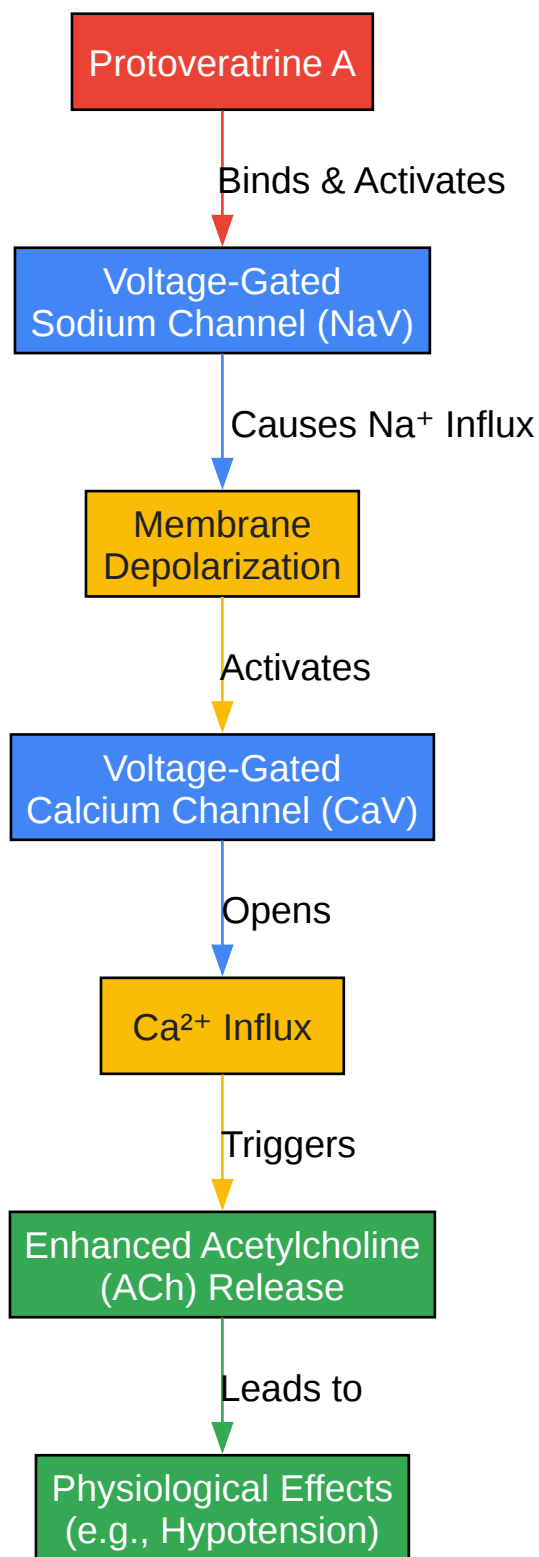
[Click to download full resolution via product page](#)

Caption: Workflow for preparing and storing **Protoveratrine A** stock solution.

## Mechanism of Action & Signaling

**Protoveratrine A** exerts its pharmacological effects primarily by interacting with ion channels. Its mechanism involves binding to voltage-gated sodium channels (NaV), leading to their persistent activation. This causes an influx of sodium ions, membrane depolarization, and subsequent opening of voltage-gated calcium channels (CaV). The resulting increase in intracellular calcium enhances the release of neurotransmitters, such as acetylcholine, from nerve terminals.[5] This activity underlies its effects on the cardiovascular and nervous systems, including its potent hypotensive action.[2][5] Studies suggest that **Protoveratrine A** and related alkaloids can interact with the cardiac sodium channel NaV1.5.[8]

## Simplified Signaling Pathway of Protoveratrine A



[Click to download full resolution via product page](#)

Caption: Simplified signaling pathway for **Protoveratrine A**'s mechanism of action.

**Need Custom Synthesis?**

BenchChem offers custom synthesis for rare earth carbides and specific isotopic labeling.

Email: [info@benchchem.com](mailto:info@benchchem.com) or [Request Quote Online](#).

## References

- [1. Buy protoveratrine A | 143-57-7 \[smolecule.com\]](#)
- [2. medchemexpress.com \[medchemexpress.com\]](#)
- [3. PROTOVERATRINE A | 143-57-7 \[chemicalbook.com\]](#)
- [4. Protoveratrine A \[drugfuture.com\]](#)
- [5. Protoveratrine A | CAS:143-57-7 | Manufacturer ChemFaces \[chemfaces.com\]](#)
- [6. Protoveratrine A | C41H63NO14 | CID 8931 - PubChem \[pubchem.ncbi.nlm.nih.gov\]](#)
- [7. Protoveratrine A \(NSC 7526; Protalba; Protoveratrin\) | Alkaloids | 143-57-7 | Invivochem \[invivochem.com\]](#)
- [8. Insights into the Cardiotoxic Effects of Veratrum Lobelianum Alkaloids: Pilot Study - PMC \[pmc.ncbi.nlm.nih.gov\]](#)
- To cite this document: BenchChem. [Application Notes: Preparing Protoveratrine A Stock Solutions]. BenchChem, [2026]. [Online PDF]. Available at: [\[https://www.benchchem.com/product/b190313/docs#application-notes-preparing-protoveratrine-a-stock-solutions\]](https://www.benchchem.com/product/b190313/docs#application-notes-preparing-protoveratrine-a-stock-solutions)

---

### Disclaimer & Data Validity:

The information provided in this document is for Research Use Only (RUO) and is strictly not intended for diagnostic or therapeutic procedures. While BenchChem strives to provide accurate protocols, we make no warranties, express or implied, regarding the fitness of this product for every specific experimental setup.

**Technical Support:** The protocols provided are for reference purposes. Unsure if this reagent suits your experiment?

**Need Industrial/Bulk Grade?** [Request Custom Synthesis Quote](#)

# BenchChem

Our mission is to be the trusted global source of essential and advanced chemicals, empowering scientists and researchers to drive progress in science and industry.

## Contact

Address: 3281 E Guasti Rd

Ontario, CA 91761, United States

Phone: (601) 213-4426

Email: [info@benchchem.com](mailto:info@benchchem.com)

[Contact our Ph.D. Support Team for a compatibility check](#)