

Technical Support Center: Adjusting NPD926 Protocol for Resistant Cell Lines

Author: BenchChem Technical Support Team. **Date:** April 2026

Compound of Interest

Compound Name: NPD926
Cat. No.: B1680004

[Get Quote](#)

This technical support center provides troubleshooting guides and frequently asked questions (FAQs) to help researchers and drug development professionals effectively use the novel anti-cancer compound **NPD926**, particularly when encountering resistant cell lines.

Frequently Asked Questions (FAQs)

Q1: What is the mechanism of action for **NPD926**?

A1: **NPD926** is a small molecule that induces rapid cell death in cancer cells. Its primary mechanism involves the depletion of cellular glutathione (GSH), a key antioxidant. This depletion leads to a significant increase in reactive oxygen species (ROS), causing overwhelming oxidative stress and subsequent cell death.^[1] **NPD926** has shown preferential effects in KRAS-transformed cells and can also sensitize cells to inhibitors of system x(c)⁻, a cystine-glutamate antiporter involved in GSH synthesis.^[1]

Q2: My cancer cell line is showing resistance to **NPD926**. What are the potential mechanisms of resistance?

A2: While specific resistance mechanisms to **NPD926** are still under investigation, resistance to ROS-inducing agents can arise from several factors:

- **Increased Antioxidant Capacity:** Cells may upregulate the expression of antioxidant enzymes (e.g., superoxide dismutase, catalase, glutathione peroxidase) or increase the synthesis of glutathione to neutralize the ROS induced by **NPD926**.
- **Enhanced Drug Efflux:** Overexpression of ATP-binding cassette (ABC) transporters can lead to the rapid efflux of **NPD926** from the cell, preventing it from reaching its target.
- **Alterations in Glutathione Metabolism:** Changes in the expression or activity of enzymes involved in glutathione synthesis and regeneration, such as glutamate-cysteine ligase (GCL) or glutathione reductase (GR), could confer resistance.
- **Activation of Pro-survival Signaling Pathways:** Upregulation of signaling pathways that protect cells from oxidative stress-induced apoptosis, such as the Nrf2 or Akt pathways, can contribute to resistance.

Q3: How can I confirm if my cell line has developed resistance to **NPD926**?

A3: Resistance is typically confirmed by a significant increase in the half-maximal inhibitory concentration (IC₅₀) of **NPD926** in the suspected resistant cell line compared to the parental, sensitive cell line. An increase in IC₅₀ of 3-fold or greater is generally considered an indication of resistance.^[2] This can be determined using a standard cell viability assay, such as the MTT or CellTiter-Glo assay.

Troubleshooting Guide

This guide addresses common issues encountered when using **NPD926** with resistant cell lines and provides potential solutions.

Problem	Possible Cause	Recommended Solution
Reduced or no cytotoxic effect of NPD926 at previously effective concentrations.	The cell line has developed resistance to NPD926.	<ol style="list-style-type: none"> 1. Confirm Resistance: Determine the IC50 of NPD926 in both the parental and suspected resistant cell lines. 2. Increase NPD926 Concentration: Perform a dose-response experiment with a wider and higher concentration range of NPD926 to determine the new IC50 for the resistant line. 3. Combination Therapy: Consider combining NPD926 with other agents to overcome resistance.
High variability in experimental repeats.	<ol style="list-style-type: none"> 1. Inconsistent cell seeding density. 2. Inconsistent drug concentration. 3. Cell line instability or heterogeneity. 	<ol style="list-style-type: none"> 1. Standardize Cell Seeding: Ensure a consistent number of cells are seeded in each well. 2. Accurate Drug Dilutions: Prepare fresh drug dilutions for each experiment and verify concentrations. 3. Single-Cell Cloning: If heterogeneity is suspected, consider single-cell cloning of the resistant population to establish a more homogenous cell line.^[2]
NPD926 is effective, but the resistant phenotype is lost over time in culture.	The selective pressure (NPD926) is absent, allowing sensitive cells to outgrow resistant ones.	To maintain the resistant phenotype, continuously culture the resistant cell line in the presence of a sub-lethal concentration of NPD926 (e.g., the IC10-IC20 of the resistant line). ^[3]

Experimental Protocols

Protocol 1: Determination of IC50 Value for NPD926

Objective: To determine the concentration of **NPD926** that inhibits cell viability by 50% (IC50).

Materials:

- Parental and resistant cancer cell lines
- Complete cell culture medium
- **NPD926** stock solution (e.g., 10 mM in DMSO)
- 96-well cell culture plates
- Cell viability reagent (e.g., MTT, CellTiter-Glo)
- Plate reader

Procedure:

- Cell Seeding:
 - Trypsinize and count the cells.
 - Seed the cells in a 96-well plate at a predetermined optimal density (e.g., 5,000 cells/well) in 100 μ L of complete medium.
 - Incubate for 24 hours to allow for cell attachment.
- Drug Treatment:
 - Prepare a serial dilution of **NPD926** in complete medium. A typical concentration range to test would be from 0.01 μ M to 100 μ M. Include a vehicle control (DMSO) at the same concentration as the highest **NPD926** treatment.
 - Remove the medium from the wells and add 100 μ L of the prepared **NPD926** dilutions.

- Incubate for the desired treatment duration (e.g., 48 or 72 hours).
- Cell Viability Assay (MTT Assay Example):
 - Add 10 μ L of MTT reagent (5 mg/mL in PBS) to each well.
 - Incubate for 2-4 hours at 37°C.
 - Add 100 μ L of solubilization buffer (e.g., 10% SDS in 0.01 M HCl) to each well.
 - Incubate overnight at 37°C in a humidified atmosphere.
 - Read the absorbance at 570 nm using a microplate reader.
- Data Analysis:
 - Normalize the absorbance values to the vehicle-treated control wells (representing 100% viability).
 - Plot the cell viability (%) against the logarithm of the **NPD926** concentration.
 - Use a non-linear regression analysis (e.g., sigmoidal dose-response curve) to calculate the IC50 value.

Protocol 2: Combination Therapy to Overcome NPD926 Resistance

Objective: To assess the synergistic effect of **NPD926** with a glutathione synthesis inhibitor (e.g., Buthionine sulfoximine - BSO) in resistant cell lines.

Materials:

- **NPD926**-resistant cancer cell line
- Complete cell culture medium
- **NPD926** stock solution
- BSO stock solution

- 96-well cell culture plates
- Cell viability reagent

Procedure:

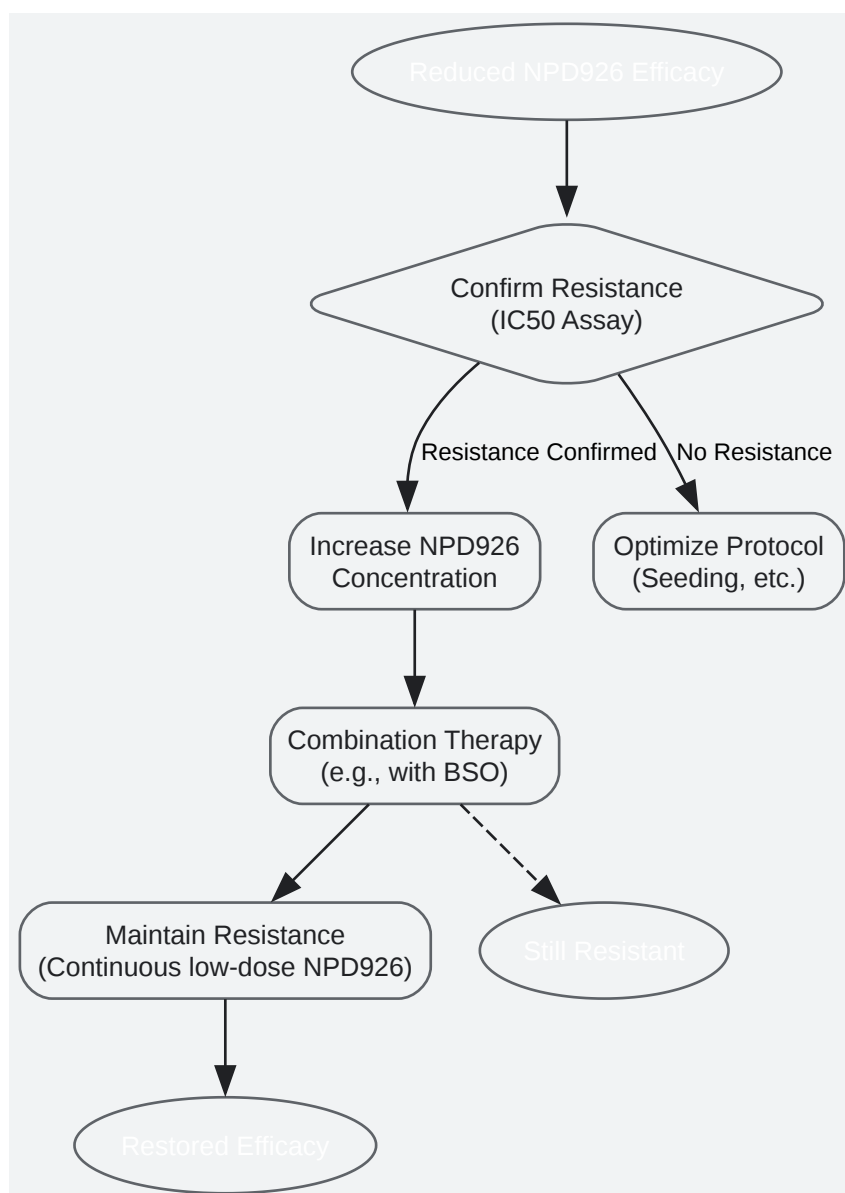
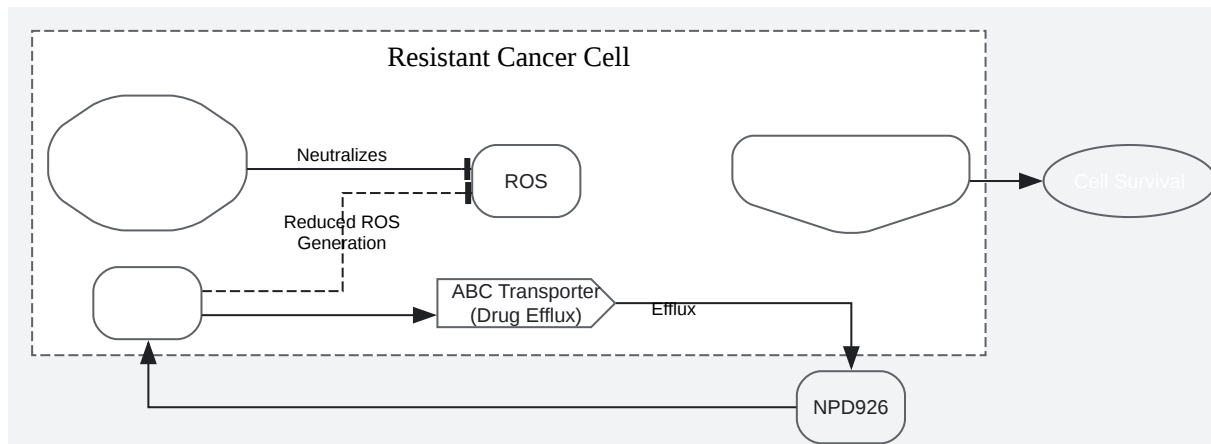
- Cell Seeding: Seed the resistant cells in 96-well plates as described in Protocol 1.
- Drug Treatment:
 - Determine the IC50 values of **NPD926** and BSO individually in the resistant cell line.
 - Prepare a matrix of drug concentrations. For example, use concentrations at 0.25x, 0.5x, 1x, and 2x the IC50 for each drug.
 - Treat the cells with **NPD926** alone, BSO alone, and the combination of both at the various concentrations. Include a vehicle control.
 - Incubate for 48 or 72 hours.
- Cell Viability Assay: Perform a cell viability assay as described in Protocol 1.
- Data Analysis:
 - Calculate the cell viability for each treatment condition.
 - Determine the Combination Index (CI) using the Chou-Talalay method. A CI value less than 1 indicates synergy, a CI value equal to 1 indicates an additive effect, and a CI value greater than 1 indicates antagonism.

Visualizations



[Click to download full resolution via product page](#)

Caption: Mechanism of action of **NPD926** leading to cancer cell death.



[Click to download full resolution via product page](#)

Need Custom Synthesis?

BenchChem offers custom synthesis for rare earth carbides and specific isotopic labeling.

Email: info@benchchem.com or [Request Quote Online](#).

References

- [1. A small molecule that induces reactive oxygen species via cellular glutathione depletion - PubMed \[pubmed.ncbi.nlm.nih.gov\]](#)
- [2. Protocol to identify small-molecule inhibitors against cancer drug resistance - PMC \[pmc.ncbi.nlm.nih.gov\]](#)
- [3. Development of Drug-resistant Cell Lines for Experimental Procedures - PMC \[pmc.ncbi.nlm.nih.gov\]](#)
- To cite this document: BenchChem. [Technical Support Center: Adjusting NPD926 Protocol for Resistant Cell Lines]. BenchChem, [2026]. [Online PDF]. Available at: [\[https://www.benchchem.com/product/b1680004/docs#technical-support-center-adjusting-npd926-protocol-for-resistant-cell-lines\]](https://www.benchchem.com/product/b1680004/docs#technical-support-center-adjusting-npd926-protocol-for-resistant-cell-lines)

Disclaimer & Data Validity:

The information provided in this document is for Research Use Only (RUO) and is strictly not intended for diagnostic or therapeutic procedures. While BenchChem strives to provide accurate protocols, we make no warranties, express or implied, regarding the fitness of this product for every specific experimental setup.

Technical Support: The protocols provided are for reference purposes. Unsure if this reagent suits your experiment?

Need Industrial/Bulk Grade? [Request Custom Synthesis Quote](#)

BenchChem

Our mission is to be the trusted global source of essential and advanced chemicals, empowering scientists and researchers to drive progress in science and industry.

Contact

Address: 3281 E Guasti Rd

Ontario, CA 91761, United States

Phone: (601) 213-4426

Email: info@benchchem.com

[Contact our Ph.D. Support Team for a compatibility check](#)