

Siphonaxanthin Standard for HPLC Calibration: Application Notes and Protocols

Author: BenchChem Technical Support Team. **Date:** April 2026

Compound of Interest

Compound Name: *Siphonaxanthin*

CAS No.: 28526-44-5

Cat. No.: B1680976

[Get Quote](#)

For Researchers, Scientists, and Drug Development Professionals

Introduction

Siphonaxanthin is a keto-carotenoid found in green algae, notable for its unique chemical structure and significant bioactive properties.[1] It has garnered interest in the fields of oncology, nutrition, and drug development due to its potential as an anti-angiogenic, anti-inflammatory, and apoptosis-inducing agent.[2][3] Accurate quantification of **siphonaxanthin** is crucial for research and development, necessitating the use of a reliable analytical standard for High-Performance Liquid Chromatography (HPLC) calibration.

This document provides detailed application notes and protocols for the use of a **siphonaxanthin** standard in HPLC calibration, methods for its extraction from natural sources, and an overview of its biological activities and associated signaling pathways.

Physicochemical Properties and Commercial Availability

A comprehensive understanding of the physicochemical properties of **siphonaxanthin** is essential for its accurate quantification and handling.

Table 1: Physicochemical Properties of **Siphonaxanthin**

Property	Value	Source
Molecular Formula	C ₄₀ H ₅₆ O ₄	[2]
Molecular Weight	600.87 g/mol	[2]
CAS Number	28526-44-5	Biosynth, Clearsynth
Appearance	Powder	[2]
Storage Conditions	-20°C for up to 2 years (powder), -80°C for up to 6 months (in DMSO)	[2]
Solubility	Soluble in DMSO	[2]
Molar Extinction Coefficient (ε)	Not explicitly stated in the searched literature. This value is crucial for quantitative analysis and should be obtained from the supplier's Certificate of Analysis or determined experimentally.	

Commercial Suppliers:

High-purity **siphonaxanthin** analytical standards can be procured from specialized chemical suppliers. It is imperative to obtain a Certificate of Analysis (CoA) with each standard, detailing its purity, concentration, and storage instructions.

- Biosynth: Offers **Siphonaxanthin** (Cat. No. XS177355) for pharmaceutical testing.[1]
- Clearsynth: Provides **Siphonaxanthin** (CAS No. 28526-44-5) with an accompanying Certificate of Analysis.[4]

- DC Chemicals: Supplies **Siphonaxanthin** (Cat. No. DC77183).[2]

Experimental Protocols

Protocol for HPLC Calibration with **Siphonaxanthin** Standard

This protocol outlines the steps for creating a calibration curve for the quantification of **siphonaxanthin** using a certified reference standard.

3.1.1. Materials and Equipment

- **Siphonaxanthin** analytical standard
- HPLC grade methanol, water, ammonium acetate, and ethyl acetate
- Volumetric flasks and pipettes
- HPLC system with a photodiode array (PDA) or UV-Vis detector
- C18 reverse-phase HPLC column (e.g., 4.6 x 250 mm)

3.1.2. Preparation of Standard Stock and Working Solutions

- Stock Solution (e.g., 1000 µg/mL): Accurately weigh a known amount of the **siphonaxanthin** standard and dissolve it in a precise volume of HPLC-grade methanol or another suitable solvent as per the supplier's instructions.
- Working Solutions: Prepare a series of dilutions from the stock solution to create calibration standards of varying concentrations (e.g., 1, 5, 10, 25, 50, 100 µg/mL).

3.1.3. HPLC Conditions

The following are example HPLC conditions that may require optimization based on the specific instrument and column used.

Table 2: Example HPLC Chromatographic Conditions for **Siphonaxanthin** Analysis

Parameter	Condition 1	Condition 2
Mobile Phase A	Methanol/Water (83:17, v/v) with 0.1% Ammonium Acetate	80:20 Methanol: 0.5 M Ammonium Acetate (v/v)
Mobile Phase B	Ethyl Acetate/Methanol (30:70, v/v) with 0.1% Ammonium Acetate	60:40 Methanol: Acetone (v/v)
Column	C18 reverse-phase	Eclipse plus C18 (4.6 x 250 mm)
Flow Rate	0.2 mL/min	1.0 mL/min
Gradient	0-30 min, 0% B; 30-45 min, 0-100% B; 45-60 min, 100% B; 60-65 min, 100-0% B; 65-70 min, 0% B	10 min linear gradient from A to B, followed by a 25 min isocratic hold at 100% B
Detection Wavelength	450 nm	430, 460, 610, and 660 nm
Injection Volume	10-20 μ L	20 μ L

Source: Adapted from[5][6]

3.1.4. Calibration Curve Construction

- Inject each calibration standard in triplicate.
- Record the peak area of **siphonaxanthin** for each injection.
- Plot a graph of the average peak area versus the corresponding concentration of the **siphonaxanthin** standards.
- Perform a linear regression analysis to determine the equation of the line ($y = mx + c$) and the correlation coefficient (R^2). An R^2 value > 0.99 is generally considered acceptable.

Protocol for Extraction of Siphonaxanthin from Green Algae

This protocol describes a general method for extracting **siphonaxanthin** from green algae, such as *Codium fragile* or *Caulerpa lentillifera*.^[7]

3.2.1. Materials and Equipment

- Fresh or freeze-dried green algae
- Acetone or methanol (HPLC grade)
- Homogenizer or mortar and pestle
- Centrifuge
- Rotary evaporator
- Filtration apparatus (e.g., 0.45 μm filter)

3.2.2. Extraction Procedure

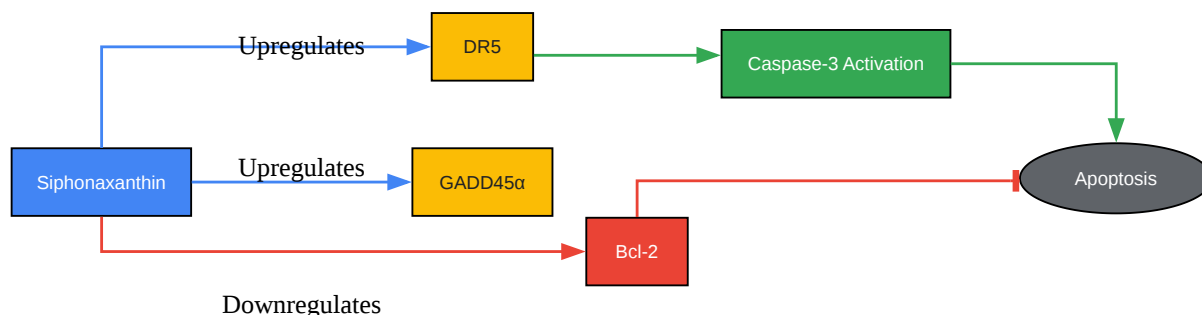
- Homogenization: Homogenize a known weight of the algal sample with acetone or methanol under dim light to prevent photo-oxidation.^[6]
- Extraction: Allow the mixture to stand for 24 hours at -20°C in the dark to facilitate complete pigment extraction.^[6]
- Centrifugation: Centrifuge the extract to pellet the solid algal debris.
- Solvent Evaporation: Carefully collect the supernatant and concentrate it using a rotary evaporator at a low temperature.
- Reconstitution and Filtration: Re-dissolve the dried extract in a known volume of the initial HPLC mobile phase and filter it through a 0.45 μm filter before HPLC analysis.

Biological Activities and Signaling Pathways

Siphonaxanthin has been shown to modulate several key signaling pathways involved in cancer and inflammation.

Apoptosis Induction in Cancer Cells

Siphonaxanthin induces apoptosis in human leukemia (HL-60) cells by upregulating the expression of Death Receptor 5 (DR5) and GADD45 α .^[3] This leads to the activation of caspase-3 and a decrease in the expression of the anti-apoptotic protein Bcl-2.^[3]

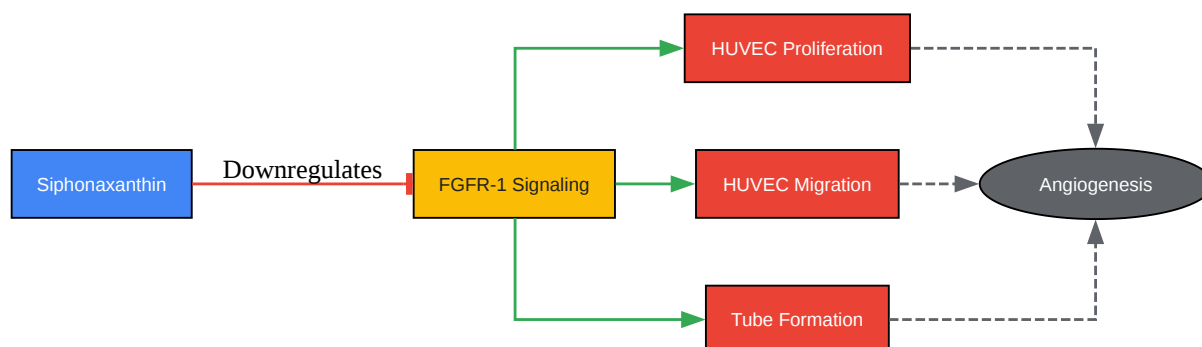


[Click to download full resolution via product page](#)

Caption: **Siphonaxanthin**-induced apoptosis pathway.

Anti-Angiogenic Effects

Siphonaxanthin inhibits angiogenesis by down-regulating the signal transduction of Fibroblast Growth Factor Receptor-1 (FGFR-1).^[1] This suppression of FGFR-1 signaling inhibits the proliferation, migration, and tube formation of human umbilical vein endothelial cells (HUVECs).^[1]

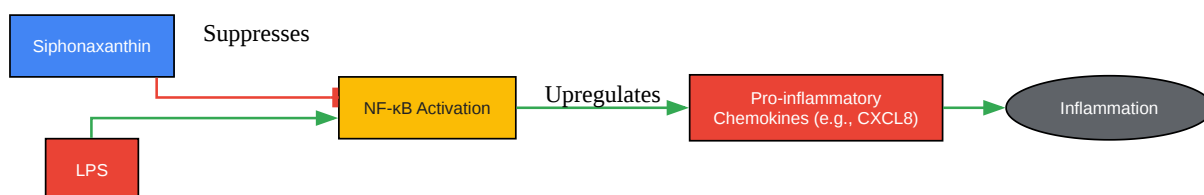


[Click to download full resolution via product page](#)

Caption: Anti-angiogenic mechanism of **siphonaxanthin**.

Anti-Inflammatory Action

Siphonaxanthin exhibits anti-inflammatory effects by suppressing the activation of NF- κ B. Siphonein, a fatty acid ester of **siphonaxanthin**, has been shown to modulate lipopolysaccharide-induced inflammatory responses and suppress the expression of proinflammatory chemokines.[8]

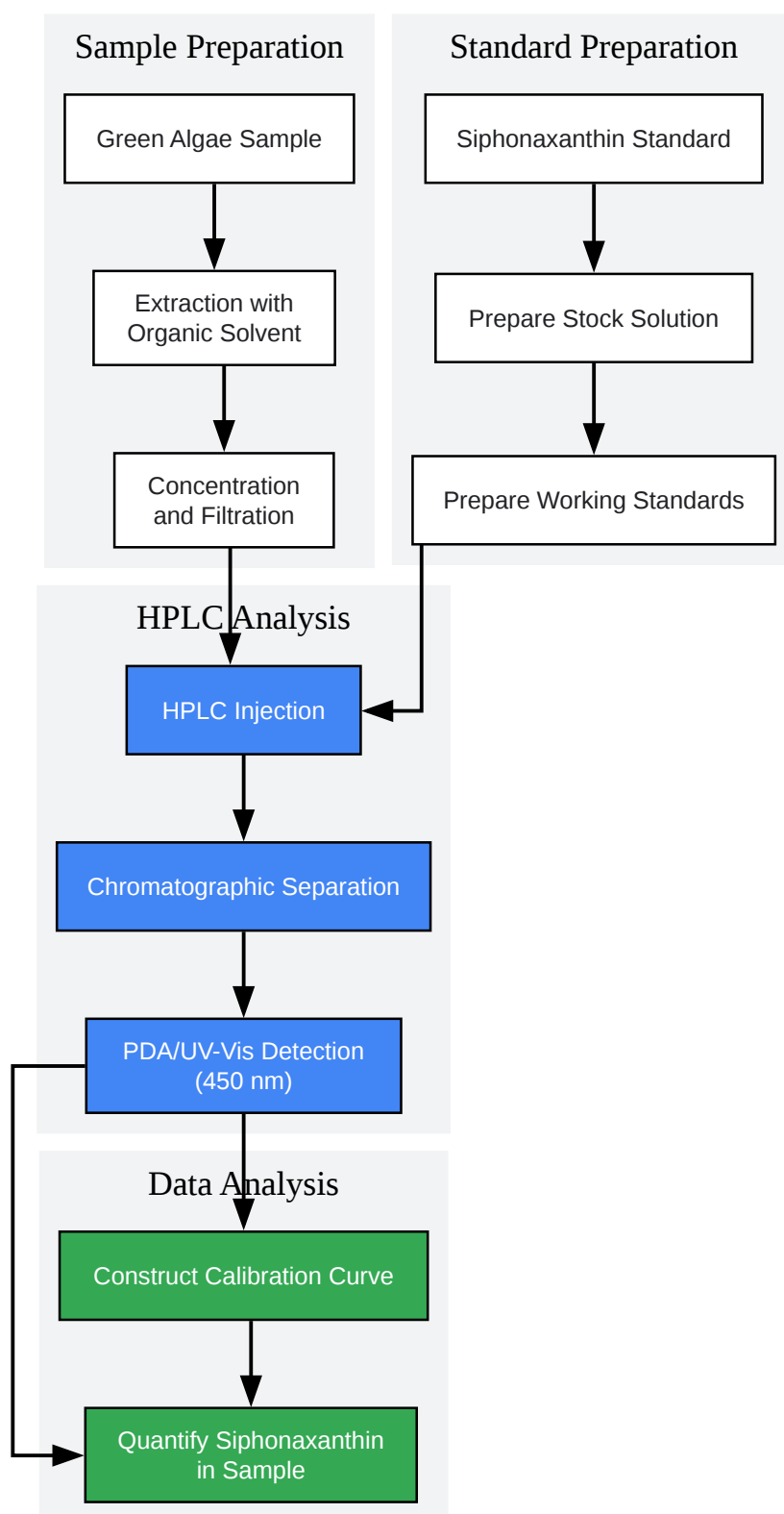


[Click to download full resolution via product page](#)

Caption: Anti-inflammatory action of **siphonaxanthin**.

Experimental Workflow Diagram

The following diagram illustrates the overall workflow from sample preparation to data analysis for the quantification of **siphonaxanthin**.



[Click to download full resolution via product page](#)

Caption: Workflow for **siphonaxanthin** quantification.

Conclusion

The use of a certified **siphonaxanthin** standard is indispensable for the accurate and reproducible quantification of this promising bioactive compound by HPLC. The protocols and data presented in these application notes provide a comprehensive guide for researchers in the fields of natural product chemistry, pharmacology, and drug development. Further investigation into the bioavailability and metabolic fate of **siphonaxanthin** will be crucial for translating its in vitro bioactivities into potential therapeutic applications.

Need Custom Synthesis?

BenchChem offers custom synthesis for rare earth carbides and specific isotopic labeling.

Email: info@benchchem.com or [Request Quote Online](#).

References

- [1. mdpi.com \[mdpi.com\]](#)
- [2. researchgate.net \[researchgate.net\]](#)
- [3. researchgate.net \[researchgate.net\]](#)
- [4. researchgate.net \[researchgate.net\]](#)
- [5. researchgate.net \[researchgate.net\]](#)
- [6. researchgate.net \[researchgate.net\]](#)
- [7. researchgate.net \[researchgate.net\]](#)
- [8. Intestinal Absorption and Anti-Inflammatory Effects of Siphonein, a Siphonaxanthin Fatty Acid Ester from Green Algae \[pubmed.ncbi.nlm.nih.gov\]](#)
- To cite this document: BenchChem. [Siphonaxanthin Standard for HPLC Calibration: Application Notes and Protocols]. BenchChem, [2026]. [Online PDF]. Available at: [<https://www.benchchem.com/product/b1680976/docs#siphonaxanthin-standard-for-hplc-calibration-application-notes-and-protocols>]

Disclaimer & Data Validity:

The information provided in this document is for Research Use Only (RUO) and is strictly not intended for diagnostic or therapeutic procedures. While BenchChem strives to provide accurate protocols, we make no warranties, express or implied, regarding the fitness of this product for every specific experimental setup.

Technical Support: The protocols provided are for reference purposes. Unsure if this reagent suits your experiment?

Need Industrial/Bulk Grade? [Request Custom Synthesis Quote](#)

BenchChem

Our mission is to be the trusted global source of essential and advanced chemicals, empowering scientists and researchers to drive progress in science and industry.

Contact

Address: 3281 E Guasti Rd
Ontario, CA 91761, United States
Phone: (601) 213-4426
Email: info@benchchem.com

[Contact our Ph.D. Support Team for a compatibility check](#)