

Technical Support Center: Optimizing Incubation Time for MRS2603 Treatment

Author: BenchChem Technical Support Team. **Date:** April 2026

Compound of Interest

Compound Name: MRS2603

Cat. No.: B1676840

[Get Quote](#)

This technical support center provides researchers, scientists, and drug development professionals with troubleshooting guides and frequently asked questions (FAQs) for optimizing **MRS2603** treatment in cell-based assays. **MRS2603** is an antagonist of the P2Y13 receptor, and this guide focuses on determining the optimal pre-incubation time to ensure effective receptor blockade before agonist stimulation.

Frequently Asked Questions (FAQs)

Q1: What is **MRS2603** and what is its mechanism of action?

A1: **MRS2603** is a selective antagonist for the P2Y13 receptor.^{[1][2]} The P2Y13 receptor is a G protein-coupled receptor (GPCR) that, upon activation by its endogenous agonist ADP, couples to Gi/o proteins. This activation leads to the inhibition of adenylyl cyclase, resulting in decreased intracellular cyclic AMP (cAMP) levels. **MRS2603** blocks the binding of agonists like ADP to the P2Y13 receptor, thereby preventing this downstream signaling cascade.

Q2: What is the primary application of **MRS2603** in research?

A2: **MRS2603** is primarily used in pharmacological studies to investigate the physiological and pathophysiological roles of the P2Y13 receptor.^{[1][2]} By selectively blocking this receptor,

researchers can explore its involvement in processes such as mast cell degranulation, metabolic effects, and neuroprotection.[1]

Q3: Why is optimizing the pre-incubation time for **MRS2603** important?

A3: Optimizing the pre-incubation time is crucial to ensure that the antagonist has sufficient time to bind to the P2Y13 receptors and reach equilibrium before the addition of an agonist. An insufficient pre-incubation time can lead to an underestimation of the antagonist's potency (a rightward shift in the IC50 curve), while an unnecessarily long pre-incubation time can prolong experiments and potentially lead to off-target effects or cytotoxicity. For antagonists, it is essential to equilibrate the antagonist before adding the agonist to obtain accurate and reproducible results.[3]

Q4: What are the typical downstream signaling pathways affected by P2Y13 receptor activation?

A4: The P2Y13 receptor is primarily coupled to the Gi/o signaling pathway.[4] Activation of this pathway leads to the inhibition of adenylyl cyclase, which decreases intracellular cAMP levels. [4] In some cellular contexts, the $\beta\gamma$ subunits of the dissociated G protein can activate other signaling pathways, such as phospholipase C (PLC), leading to an increase in intracellular calcium, or mitogen-activated protein kinase (MAPK) pathways.[5]

Troubleshooting Guide

Problem	Possible Cause	Suggested Solution
No or weak inhibition by MRS2603	<p>1. Insufficient pre-incubation time: The antagonist has not had enough time to bind to the receptor. 2. Inappropriate MRS2603 concentration: The concentration used may be too low to effectively compete with the agonist. 3. Cell line does not express functional P2Y13 receptors. 4. Degradation of MRS2603: The compound may not be stable under the experimental conditions.</p>	<p>1. Perform a time-course experiment: Pre-incubate cells with MRS2603 for varying durations (e.g., 15, 30, 60, 120 minutes) before adding the agonist to determine the optimal pre-incubation time. 2. Perform a dose-response experiment: Test a range of MRS2603 concentrations to determine its IC50 value. 3. Verify receptor expression: Confirm P2Y13 receptor expression using techniques like RT-PCR, Western blot, or by using a positive control agonist. 4. Prepare fresh solutions: Prepare MRS2603 solutions fresh for each experiment from a validated stock. Check for information on its stability in your specific cell culture medium.[6][7][8]</p>
High variability between replicate wells	<p>1. Inconsistent cell seeding: Uneven cell density across the plate. 2. Pipetting errors: Inaccurate dispensing of antagonist, agonist, or detection reagents. 3. Edge effects: Evaporation or temperature gradients at the edges of the microplate.</p>	<p>1. Ensure uniform cell suspension: Mix the cell suspension thoroughly before and during plating. 2. Use calibrated pipettes: Ensure pipettes are properly calibrated and use appropriate pipetting techniques. 3. Minimize edge effects: Avoid using the outermost wells of the plate or fill them with sterile buffer or media to maintain humidity.</p>

Unexpected agonist-like activity of MRS2603	1. Off-target effects: At high concentrations, MRS2603 might interact with other receptors. ^{[9][10][11][12][13]} 2. Contamination of the compound.	1. Test a lower concentration range: Use the lowest effective concentration of MRS2603 based on dose-response experiments. 2. Source a new batch of the compound: If contamination is suspected, obtain a new vial of MRS2603.
---	--	--

Cell death or morphological changes observed	1. Cytotoxicity of MRS2603: The compound may be toxic to the cells at the concentration or incubation time used. 2. Solvent toxicity: The vehicle used to dissolve MRS2603 (e.g., DMSO) may be at a toxic concentration.	1. Perform a cell viability assay: Test the effect of different concentrations of MRS2603 on cell viability over the planned incubation period. 2. Maintain a low solvent concentration: Ensure the final concentration of the solvent is below the toxic threshold for your cell line (typically <0.5% for DMSO).
--	--	--

Experimental Protocols

Protocol for Optimizing MRS2603 Pre-incubation Time using a cAMP Assay

This protocol is designed to determine the optimal pre-incubation time for **MRS2603** to inhibit the ADP-induced decrease in cAMP levels in a cell line expressing the P2Y13 receptor.

1. Cell Preparation:

- Culture cells expressing the P2Y13 receptor in appropriate media until they reach 80-90% confluency.
- Harvest the cells and resuspend them in a suitable assay buffer (e.g., HBSS with 5 mM HEPES, 0.1% BSA, and 0.5 mM IBMX to inhibit phosphodiesterase activity).

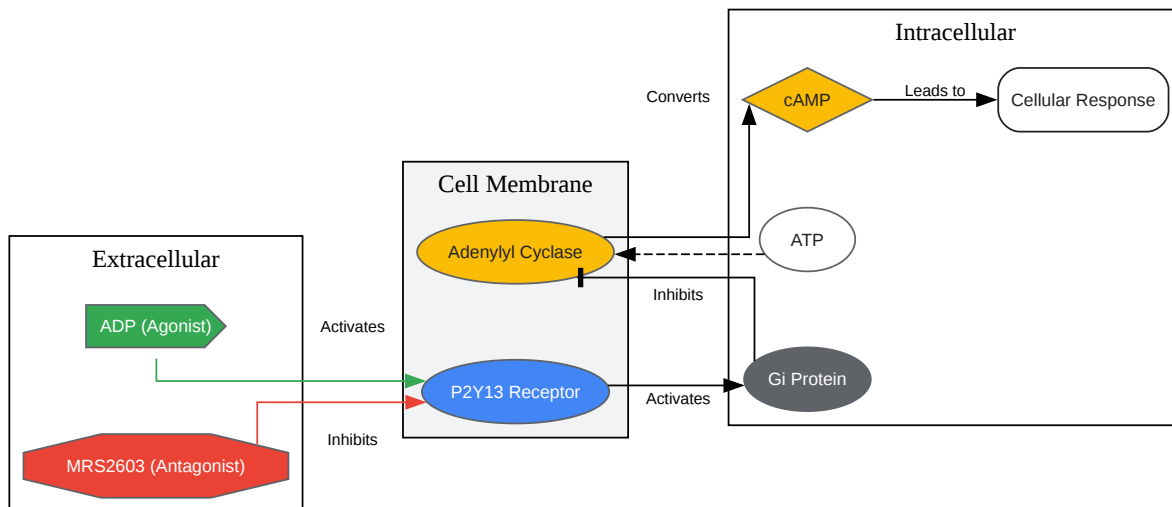
- Determine cell density and adjust to the optimal concentration for your cAMP assay.
2. Antagonist Pre-incubation Time Course:
- Dispense the cell suspension into a 384-well white opaque plate.
 - Add **MRS2603** at a fixed concentration (e.g., its approximate IC80) to the wells.
 - Incubate the plate at 37°C for different durations (e.g., 15, 30, 45, 60, 90, and 120 minutes).
3. Agonist Stimulation:
- Following the respective pre-incubation times, add a P2Y13 agonist (e.g., ADP at its EC80 concentration) to the wells.
 - Incubate for a fixed time that allows for a robust agonist response (e.g., 30 minutes).
4. cAMP Measurement:
- Lyse the cells and measure intracellular cAMP levels using a suitable detection kit (e.g., HTRF, AlphaScreen, or ELISA-based kits) according to the manufacturer's instructions.
5. Data Analysis:
- Plot the percentage of inhibition of the agonist response against the pre-incubation time.
 - The optimal pre-incubation time is the shortest duration that results in a stable and maximal inhibitory effect.

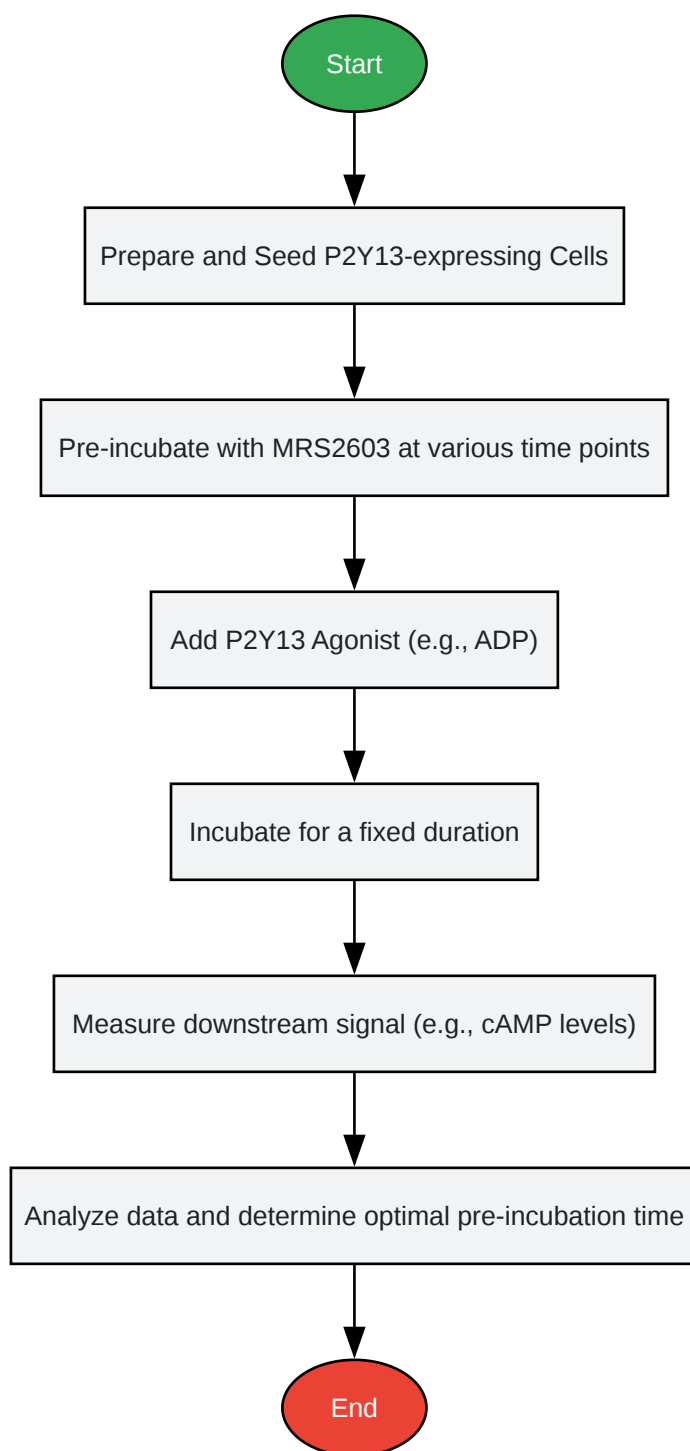
Data Presentation: Time-Course of MRS2603 Inhibition

Pre-incubation Time (minutes)	% Inhibition of ADP Response (Mean \pm SD)
0	5 \pm 2.1
15	45 \pm 4.5
30	75 \pm 3.8
45	88 \pm 2.9
60	92 \pm 2.5
90	93 \pm 2.3
120	91 \pm 3.1

Note: The data presented are hypothetical and for illustrative purposes only.

Visualizations





[Click to download full resolution via product page](#)

Need Custom Synthesis?

BenchChem offers custom synthesis for rare earth carbides and specific isotopic labeling.

Email: info@benchchem.com or [Request Quote Online](#).

References

- 1. Pharmacological characterization of P2Y receptor subtypes – an update - PMC [[pmc.ncbi.nlm.nih.gov](https://pubmed.ncbi.nlm.nih.gov/)]
- 2. [researchgate.net](https://www.researchgate.net/) [[researchgate.net](https://www.researchgate.net/)]
- 3. Structural insights into ligand recognition and activation of human purinergic receptor P2Y14 - PMC [[pmc.ncbi.nlm.nih.gov](https://pubmed.ncbi.nlm.nih.gov/)]
- 4. [researchgate.net](https://www.researchgate.net/) [[researchgate.net](https://www.researchgate.net/)]
- 5. Signalling and pharmacological properties of the P2Y14 receptor - PMC [[pmc.ncbi.nlm.nih.gov](https://pubmed.ncbi.nlm.nih.gov/)]
- 6. Vitamins in cell culture media: Stability and stabilization strategies - PubMed [pubmed.ncbi.nlm.nih.gov]
- 7. Vitamins in cell culture media: Stability and stabilization strategies - PMC [[pmc.ncbi.nlm.nih.gov](https://pubmed.ncbi.nlm.nih.gov/)]
- 8. Optimizing the stability and solubility of cell culture media ingredients - Evonik Industries [[healthcare.evonik.com](https://www.healthcare.evonik.com/)]
- 9. Off-target effects in CRISPR/Cas9 gene editing - PMC [[pmc.ncbi.nlm.nih.gov](https://pubmed.ncbi.nlm.nih.gov/)]
- 10. Off-target effects in CRISPR-Cas genome editing for human therapeutics: Progress and challenges - PubMed [pubmed.ncbi.nlm.nih.gov]
- 11. [dovepress.com](https://www.dovepress.com/) [[dovepress.com](https://www.dovepress.com/)]
- 12. News: Strategies to Avoid and Reduce Off-Target Effects - CRISPR Medicine [[crisprmedicineneeds.com](https://www.crisprmedicineneeds.com/)]
- 13. [mdpi.com](https://www.mdpi.com/) [[mdpi.com](https://www.mdpi.com/)]
- To cite this document: BenchChem. [Technical Support Center: Optimizing Incubation Time for MRS2603 Treatment]. BenchChem, [2026]. [Online PDF]. Available at: [<https://www.benchchem.com/product/b1676840/docs#technical-support-center-optimizing-incubation-time-for-mrs2603-treatment>]

Disclaimer & Data Validity:

The information provided in this document is for Research Use Only (RUO) and is strictly not intended for diagnostic or therapeutic procedures. While BenchChem strives to provide

accurate protocols, we make no warranties, express or implied, regarding the fitness of this product for every specific experimental setup.

Technical Support: The protocols provided are for reference purposes. Unsure if this reagent suits your experiment?

Need Industrial/Bulk Grade? [Request Custom Synthesis Quote](#)

BenchChem

Our mission is to be the trusted global source of essential and advanced chemicals, empowering scientists and researchers to drive progress in science and industry.

Contact

Address: 3281 E Guasti Rd

Ontario, CA 91761, United States

Phone: (601) 213-4426

Email: info@benchchem.com

[Contact our Ph.D. Support Team for a compatibility check](#)