

Application Notes and Protocols for In Vivo Studies of Dup 747

Author: BenchChem Technical Support Team. **Date:** April 2026

Compound of Interest

Compound Name:	Dup 747
CAS No.:	142515-44-4
Cat. No.:	B1670993

[Get Quote](#)

For Researchers, Scientists, and Drug Development Professionals

Abstract

This document provides detailed application notes and experimental protocols for the in vivo evaluation of **Dup 747**, a selective kappa-opioid receptor agonist. Due to the limited availability of specific published in vivo data for **Dup 747**, this guide presents generalized yet detailed protocols for assessing its analgesic efficacy, toxicity profile, and pharmacokinetic properties in rodent models. These protocols are based on standard methodologies for kappa-opioid agonists and are intended to serve as a comprehensive resource for designing and conducting preclinical studies. The information herein is designed to guide researchers in initiating their own in vivo investigations of **Dup 747**, with the understanding that specific parameters will require optimization.

Introduction

Dup 747 is a potent and selective agonist of the kappa-opioid receptor (KOR), a G protein-coupled receptor involved in a variety of physiological processes including nociception, mood,

and reward.[1] Activation of KORs is a promising therapeutic strategy for the management of pain, pruritus, and certain substance use disorders.[2] However, the clinical development of KOR agonists has been hampered by centrally-mediated side effects such as dysphoria, sedation, and hallucinations.[3] Therefore, a thorough in vivo characterization of novel KOR agonists like **Dup 747** is crucial to evaluate their therapeutic potential and safety profile.

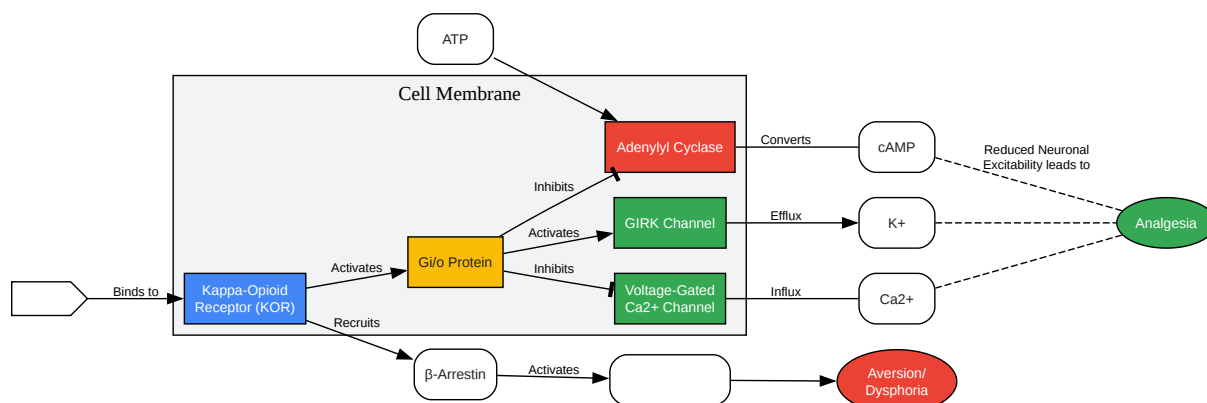
These application notes provide a framework for the in vivo investigation of **Dup 747**, covering its formulation, mechanism of action, and detailed protocols for key preclinical assays.

Mechanism of Action: Kappa-Opioid Receptor Signaling

Dup 747 exerts its pharmacological effects by binding to and activating kappa-opioid receptors. KORs are primarily coupled to inhibitory G proteins (G_i/o). Upon agonist binding, a conformational change in the receptor leads to the dissociation of the G protein heterotrimer into its G_α and $G_\beta\gamma$ subunits. These subunits then modulate downstream signaling pathways, ultimately leading to a reduction in neuronal excitability.

The primary signaling cascades initiated by KOR activation include:

- **Inhibition of Adenylyl Cyclase:** The $G_{i/o}$ subunit inhibits the activity of adenylyl cyclase, leading to decreased intracellular levels of cyclic AMP (cAMP).[4]
- **Modulation of Ion Channels:** The $G_\beta\gamma$ subunit can directly interact with and modulate the activity of ion channels. This includes the activation of G protein-coupled inwardly rectifying potassium (GIRK) channels, leading to potassium efflux and hyperpolarization of the neuronal membrane, and the inhibition of voltage-gated calcium channels (VGCCs), which reduces calcium influx and neurotransmitter release.[4]
- **Activation of Mitogen-Activated Protein Kinase (MAPK) Pathways:** KOR activation can also lead to the phosphorylation of various MAPKs, including p38 and c-Jun N-terminal kinase (JNK). The β -arrestin pathway is implicated in mediating some of these effects, which have been associated with the aversive properties of KOR agonists.



[Click to download full resolution via product page](#)

Figure 1: Simplified signaling pathway of **Dup 747** via the kappa-opioid receptor.

Formulation of Dup 747 for In Vivo Administration

The formulation of **Dup 747** for in vivo studies requires careful consideration of its physicochemical properties. The hydrochloride salt of **Dup 747** has been reported to have low aqueous solubility (3 mg/mL), which may be insufficient for preparing dosing solutions for parenteral administration, particularly for higher doses. In contrast, the methanesulfonate salt of **Dup 747** is more water-soluble and can form a micellar solution at a concentration of 60 mg/mL.

Recommended Formulations:

- Intra-peritoneal (IP) and Subcutaneous (SC) Administration: For parenteral routes, it is recommended to use the methanesulfonate salt of **Dup 747** dissolved in a sterile, isotonic vehicle such as 0.9% saline or phosphate-buffered saline (PBS). If the hydrochloride salt is used, a vehicle containing a solubilizing agent (e.g., Tween 80, DMSO, or cyclodextrins) may

be necessary. The final concentration of any organic solvent should be kept to a minimum to avoid vehicle-induced toxicity.

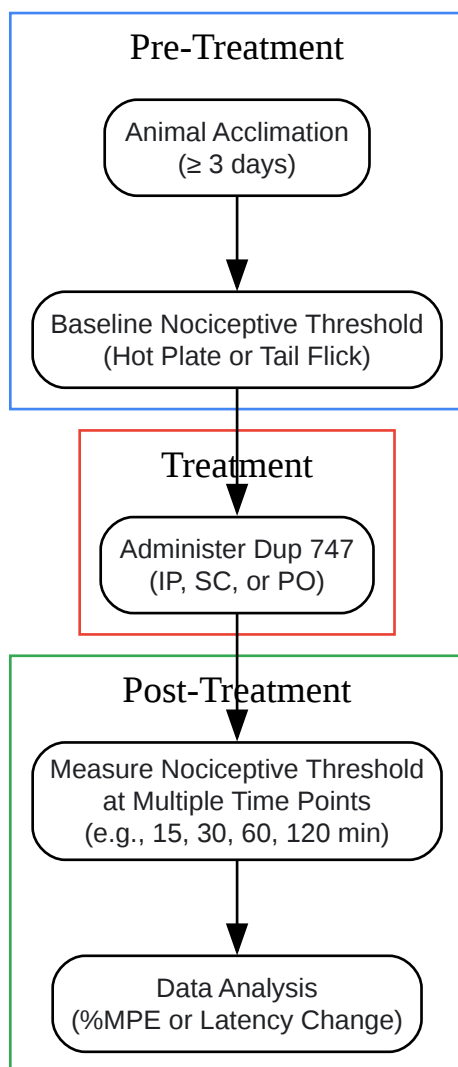
- Oral (PO) Administration: For oral gavage, **Dup 747** can be suspended in a vehicle such as 0.5% methylcellulose or carboxymethylcellulose in water. The use of a surfactant like Tween 80 can aid in wetting the compound and improving the homogeneity of the suspension.

Experimental Protocols

The following sections provide detailed protocols for the in vivo evaluation of **Dup 747**. These protocols are intended as a starting point and should be adapted and optimized based on the specific research question and institutional guidelines.

Analgesic Efficacy Studies

The analgesic properties of **Dup 747** can be assessed using various rodent models of nociception. The hot plate and tail flick tests are standard assays for evaluating centrally acting analgesics.



[Click to download full resolution via product page](#)

Figure 2: General experimental workflow for in vivo analgesic efficacy studies.

a) Hot Plate Test

The hot plate test measures the latency of a rodent to exhibit a nociceptive response (e.g., paw licking, jumping) when placed on a heated surface. This test assesses the supraspinal analgesic effects of a compound.

Protocol:

- Apparatus: A commercially available hot plate apparatus with a constant temperature setting (typically 52-55°C) and a transparent observation cylinder.
- Animals: Male Sprague-Dawley rats (200-250 g) or Swiss Webster mice (20-25 g).
- Procedure:
 - Acclimate the animals to the testing room for at least 1 hour before the experiment.
 - Determine the baseline latency for each animal by placing it on the hot plate and starting a timer. The latency is the time taken for the animal to lick its hind paw or jump. A cut-off time (e.g., 30-60 seconds) must be set to prevent tissue damage.
 - Administer **Dup 747** or vehicle via the desired route (e.g., IP, SC, or PO).
 - At predetermined time points after drug administration (e.g., 15, 30, 60, 90, and 120 minutes), place the animal back on the hot plate and measure the response latency.
- Data Analysis: The analgesic effect is typically expressed as the percentage of the maximal possible effect (%MPE), calculated using the following formula: $\%MPE = [(Post\text{-}drug\text{ latency} - Baseline\text{ latency}) / (Cut\text{-}off\text{ time} - Baseline\text{ latency})] \times 100$

b) Tail Flick Test

The tail flick test measures the latency of a rodent to withdraw its tail from a noxious thermal stimulus (e.g., a focused beam of light). This test primarily reflects spinal reflexes.

Protocol:

- Apparatus: A tail flick analgesia meter with a radiant heat source.
- Animals: Male Sprague-Dawley rats (180-220 g) or Swiss Webster mice (18-22 g).
- Procedure:
 - Gently restrain the animal, allowing its tail to be positioned over the radiant heat source.

- Measure the baseline tail flick latency by activating the heat source and recording the time until the animal flicks its tail. A cut-off time (e.g., 10-15 seconds) is used to prevent tissue damage.
- Administer **Dup 747** or vehicle.
- Measure the tail flick latency at various time points post-administration.
- Data Analysis: Similar to the hot plate test, the analgesic effect can be expressed as %MPE.

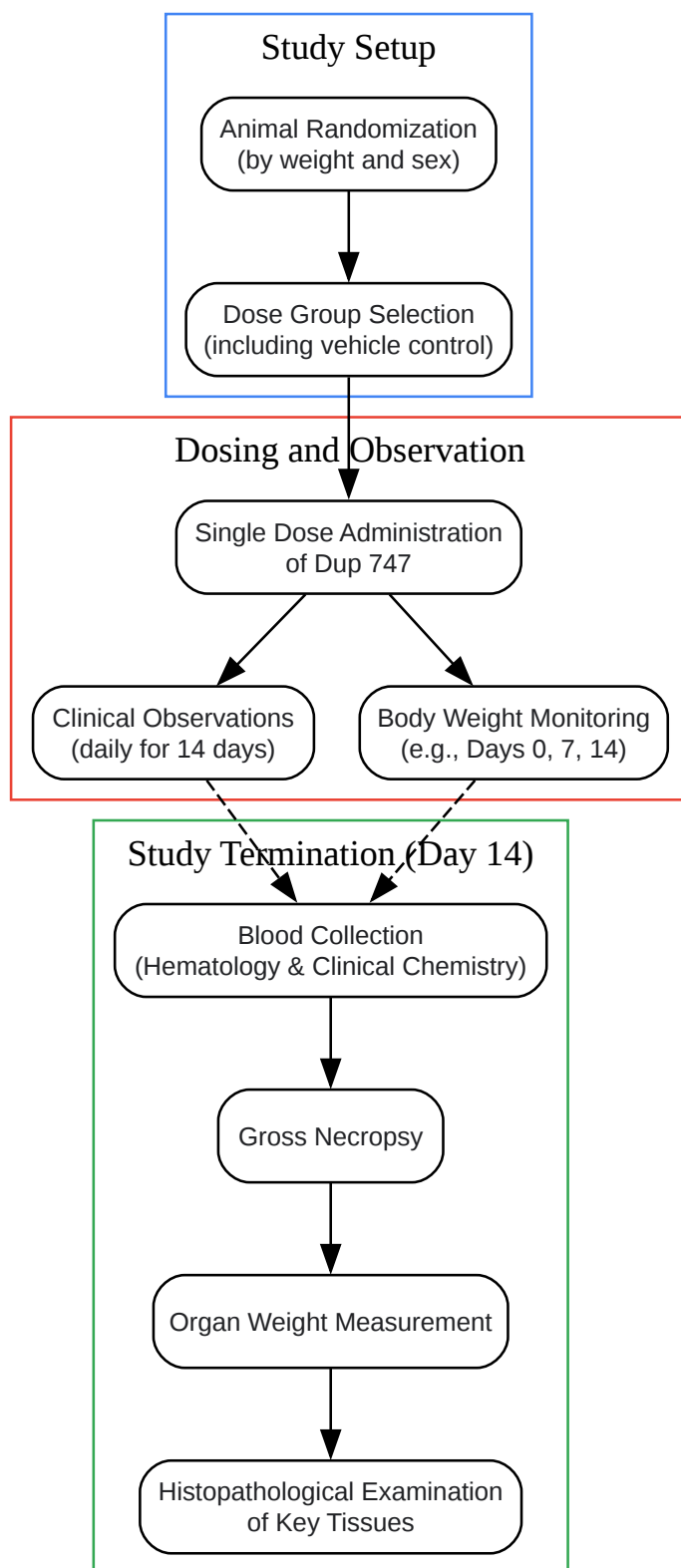
Table 1: Representative Analgesic Efficacy Data for a Kappa-Opioid Agonist (Illustrative)

Treatment Group	Dose (mg/kg)	Route	Hot Plate Latency (%MPE at 30 min)	Tail Flick Latency (%MPE at 30 min)
Vehicle	-	IP	5 ± 2	8 ± 3
Dup 747	1	IP	25 ± 5	30 ± 6
Dup 747	3	IP	55 ± 8	62 ± 7
Dup 747	10	IP	85 ± 6	90 ± 5
Morphine (Control)	5	SC	95 ± 4	98 ± 2

Note: The data in this table is illustrative for a representative kappa-opioid agonist and does not represent actual published data for **Dup 747**.

Toxicology Studies

Toxicology studies are essential to determine the safety profile of **Dup 747**. An acute toxicity study is typically the first step to identify the maximum tolerated dose (MTD) and potential target organs of toxicity.



[Click to download full resolution via product page](#)

Figure 3: Workflow for an acute in vivo toxicology study.

Protocol: Acute Oral Toxicity Study (Up-and-Down Procedure - OECD 425)

- Animals: Female Sprague-Dawley rats (8-12 weeks old).
- Procedure:
 - Fast the animals overnight before dosing.
 - Administer a single oral dose of **Dup 747** to one animal at a starting dose (e.g., 175 mg/kg).
 - Observe the animal for signs of toxicity and mortality for up to 48 hours.
 - If the animal survives, the next animal is dosed at a higher dose. If the animal dies, the next animal is dosed at a lower dose.
 - This sequential dosing continues until the criteria for stopping are met (e.g., four animals have been dosed after the first reversal of the outcome).
 - All animals are observed for a total of 14 days for clinical signs, and body weights are recorded weekly.
 - At the end of the study, a gross necropsy is performed on all animals.
- Data Analysis: The LD50 is calculated using the maximum likelihood method.

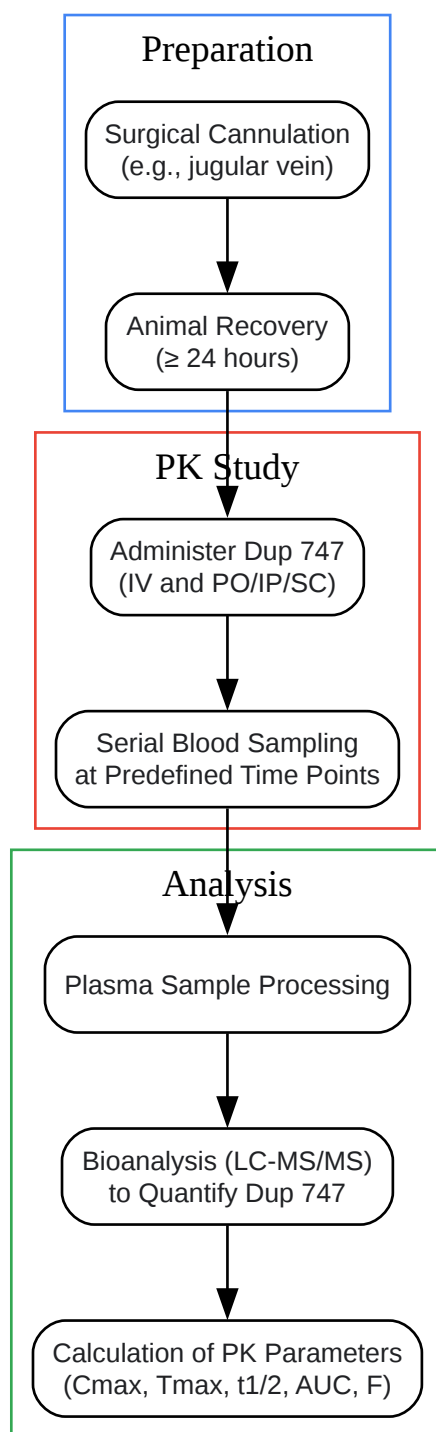
Table 2: Representative Acute Toxicity Data for a Kappa-Opioid Agonist (Illustrative)

Parameter	Vehicle Control	Dup 747 (Low Dose)	Dup 747 (Mid Dose)	Dup 747 (High Dose)
LD50 (mg/kg)	N/A	>2000 (Illustrative)		
Clinical Signs	No abnormalities	Sedation, ataxia at high doses		
Body Weight Change (Day 14)	+10%	+8%	+2%	-5%
Key Necropsy Findings	No abnormalities	No abnormalities	Gastric irritation	Gastric irritation, liver discoloration

Note: The data in this table is illustrative and does not represent actual published data for **Dup 747**.

Pharmacokinetic Studies

Pharmacokinetic (PK) studies are performed to understand the absorption, distribution, metabolism, and excretion (ADME) of **Dup 747**. This information is crucial for dose selection and understanding the exposure-response relationship.



[Click to download full resolution via product page](#)

Figure 4: Workflow for an in vivo pharmacokinetic study.

Protocol: Single-Dose Pharmacokinetic Study in Rats

- Animals: Male Sprague-Dawley rats (250-300 g) with jugular vein cannulation for serial blood sampling.
- Procedure:
 - Divide the animals into groups for each route of administration to be tested (e.g., intravenous, oral, intraperitoneal).
 - Administer a single dose of **Dup 747**.
 - Collect blood samples (approximately 0.2 mL) via the jugular vein cannula at predefined time points (e.g., 0, 5, 15, 30 minutes, and 1, 2, 4, 8, 12, 24 hours) into tubes containing an anticoagulant (e.g., K2EDTA).
 - Process the blood samples to obtain plasma by centrifugation.
 - Store the plasma samples at -80°C until analysis.
- Bioanalysis:
 - Develop and validate a sensitive bioanalytical method, such as liquid chromatography-tandem mass spectrometry (LC-MS/MS), for the quantification of **Dup 747** in plasma.
- Data Analysis:
 - Use non-compartmental analysis to determine the key pharmacokinetic parameters, including:
 - C_{max}: Maximum plasma concentration.
 - T_{max}: Time to reach C_{max}.
 - t_{1/2}: Elimination half-life.
 - AUC: Area under the plasma concentration-time curve.
 - F (%): Bioavailability (for non-intravenous routes), calculated as $(AUC_{oral} / AUC_{IV}) \times (Dose_{IV} / Dose_{oral}) \times 100$.

Table 3: Representative Pharmacokinetic Parameters for a Kappa-Opioid Agonist in Rats (Illustrative)

Parameter	Intravenous (1 mg/kg)	Oral (10 mg/kg)	Intraperitoneal (5 mg/kg)
C _{max} (ng/mL)	500 ± 75	150 ± 30	350 ± 50
T _{max} (h)	0.08	1.0	0.5
t _{1/2} (h)	2.5 ± 0.5	3.0 ± 0.6	2.8 ± 0.4
AUC (ng*h/mL)	1200 ± 150	900 ± 120	1100 ± 130
Bioavailability (F%)	100	7.5	91.7

Note: The data in this table is illustrative for a representative kappa-opioid agonist and does not represent actual published data for **Dup 747**.

Conclusion

The protocols and application notes provided in this document offer a comprehensive framework for the in vivo characterization of **Dup 747**. While specific data for **Dup 747** is limited in the public domain, the generalized methodologies for assessing the analgesic, toxicological, and pharmacokinetic properties of kappa-opioid agonists will enable researchers to design and execute robust preclinical studies. It is imperative that these protocols are adapted and optimized for the specific research objectives and that all animal studies are conducted in compliance with ethical guidelines and regulations. The data generated from such studies will be critical in elucidating the therapeutic potential and safety profile of **Dup 747**.

Need Custom Synthesis?

BenchChem offers custom synthesis for rare earth carbides and specific isotopic labeling.

Email: info@benchchem.com or [Request Quote Online](#).

References

- [1. Assessing spiradoline-like discriminative effects of DuP 747: influence of route of administration - PubMed \[pubmed.ncbi.nlm.nih.gov\]](#)
- [2. The Kappa Opioid Receptor: A Promising Therapeutic Target for Multiple Pathologies - PMC \[pmc.ncbi.nlm.nih.gov\]](#)
- [3. mdpi.com \[mdpi.com\]](#)
- [4. Kinase Cascades and Ligand-Directed Signaling at the Kappa Opioid Receptor - PMC \[pmc.ncbi.nlm.nih.gov\]](#)
- To cite this document: BenchChem. [Application Notes and Protocols for In Vivo Studies of Dup 747]. BenchChem, [2026]. [Online PDF]. Available at: [\[https://www.benchchem.com/product/b1670993/docs#application-notes-and-protocols-for-in-vivo-studies-of-dup-747\]](https://www.benchchem.com/product/b1670993/docs#application-notes-and-protocols-for-in-vivo-studies-of-dup-747)

Disclaimer & Data Validity:

The information provided in this document is for Research Use Only (RUO) and is strictly not intended for diagnostic or therapeutic procedures. While BenchChem strives to provide accurate protocols, we make no warranties, express or implied, regarding the fitness of this product for every specific experimental setup.

Technical Support: The protocols provided are for reference purposes. Unsure if this reagent suits your experiment?

Need Industrial/Bulk Grade? [Request Custom Synthesis Quote](#)

BenchChem

Our mission is to be the trusted global source of essential and advanced chemicals, empowering scientists and researchers to drive progress in science and industry.

Contact

Address: 3281 E Guasti Rd
Ontario, CA 91761, United States
Phone: (601) 213-4426
Email: info@benchchem.com

Contact our Ph.D. Support Team for a compatibility check