

CNS 5161 Dose-Response Curve Optimization: A Technical Support Guide

Author: BenchChem Technical Support Team. **Date:** April 2026

Compound of Interest

Compound Name:	Cns 5161
CAS No.:	160754-76-7
Cat. No.:	B1669275

[Get Quote](#)

This technical support center provides researchers, scientists, and drug development professionals with essential guidance for optimizing dose-response curve experiments using **CNS 5161**, a potent noncompetitive N-methyl-D-aspartate (NMDA) receptor antagonist.

Frequently Asked Questions (FAQs)

Q1: What is **CNS 5161** and what is its primary mechanism of action?

A1: **CNS 5161** is a novel and selective noncompetitive antagonist of the NMDA subtype of glutamate receptors.[1][2] It functions as an open-channel blocker, meaning it binds within the ion channel of the NMDA receptor to prevent the influx of ions like Ca²⁺. [1][3] This blockade is use-dependent, indicating that **CNS 5161** binds more effectively to NMDA receptors that are in an activated or open state, which occurs in the presence of glutamate and a co-agonist like glycine or D-serine.[4]

Q2: What are the key parameters of **CNS 5161**'s binding affinity?

A2: **CNS 5161** exhibits high affinity for the ion-channel binding site of the NMDA receptor complex. It has been shown to displace [3H] MK-801 binding with a K_i of 1.8 nM in

synaptosomal membrane preparations from the rat brain.

Q3: What are some common challenges when performing dose-response experiments with noncompetitive NMDA receptor antagonists like **CNS 5161**?

A3: Researchers may encounter several challenges, including:

- **Excitotoxicity:** Over-stimulation of NMDA receptors due to high concentrations of glutamate can lead to neuronal cell death, affecting assay results.
- **Use-Dependency:** As a use-dependent blocker, the inhibitory effect of **CNS 5161** is contingent on prior activation of the NMDA receptor. Inconsistent receptor activation can lead to variable results.
- **Assay System Sensitivity:** The choice of cell line or neuronal culture and the method of detecting receptor activity (e.g., calcium influx, electrophysiology) can significantly impact the observed potency and efficacy.
- **Compound Stability and Solubility:** Ensuring the compound is fully dissolved and stable in the assay buffer is crucial for accurate concentration-response relationships.

Q4: How can I minimize excitotoxicity in my in vitro assay?

A4: To mitigate excitotoxicity, consider the following:

- Optimize the concentration of glutamate and co-agonist (glycine or D-serine) to achieve sub-maximal but consistent receptor activation.
- Limit the duration of exposure to high concentrations of agonists.
- Use a transient expression system, such as baculovirus-mediated transduction, to express NMDA receptors, which can be less prone to the excitotoxicity seen in stable cell lines.
- Incorporate a recovery period in your experimental design to allow cells to return to a basal state.

Troubleshooting Guide

Problem	Potential Cause(s)	Recommended Solution(s)
High variability between replicate wells	<ul style="list-style-type: none"> - Inconsistent cell seeding density- Uneven agonist or antagonist application- Cell health issues (e.g., due to excitotoxicity) 	<ul style="list-style-type: none"> - Ensure a homogenous cell suspension and use a multichannel pipette for seeding.- Use automated liquid handling for precise additions.- Refer to Q4 for minimizing excitotoxicity.
No or very weak inhibitory response	<ul style="list-style-type: none"> - Inactive compound- Insufficient NMDA receptor activation- Incorrect assay conditions (e.g., pH, temperature)- Low expression of functional NMDA receptors 	<ul style="list-style-type: none"> - Verify the identity and purity of your CNS 5161 stock.- Confirm that the concentrations of glutamate and co-agonist are sufficient to activate the receptors.- Optimize assay buffer and incubation conditions.- Validate receptor expression using techniques like immunofluorescence or western blotting.
Steep or shallow dose-response curve	<ul style="list-style-type: none"> - Compound precipitation at high concentrations- Off-target effects- Complex binding kinetics 	<ul style="list-style-type: none"> - Check the solubility of CNS 5161 in your assay medium.- Perform counter-screens to assess activity at other receptors.- Consider more complex curve-fitting models if a standard sigmoidal fit is poor.
Assay window is too small	<ul style="list-style-type: none"> - Low signal-to-background ratio- Sub-optimal agonist concentration 	<ul style="list-style-type: none"> - Optimize the calcium indicator dye concentration and loading conditions.- Perform an agonist dose-response curve to determine the EC80-EC90 concentration for use in the antagonist assay.

Experimental Protocols

In Vitro Calcium-Flux Assay for CNS 5161 Dose-Response

This protocol is adapted from a high-throughput calcium-flux assay for studying NMDA receptors.

1. Cell Preparation:

- Culture HEK293 cells transiently expressing the desired NMDA receptor subunits (e.g., GluN1/GluN2A) using a suitable transfection or transduction method (e.g., baculovirus).
- Seed the cells into a 384-well black, clear-bottom plate at an optimized density and allow them to attach overnight.

2. Compound Preparation:

- Prepare a stock solution of **CNS 5161** in a suitable solvent (e.g., DMSO).
- Perform serial dilutions of **CNS 5161** in an appropriate assay buffer to create a concentration range for the dose-response curve (e.g., 10-point, 3-fold dilutions).

3. Calcium Indicator Loading:

- Prepare a loading buffer containing a calcium-sensitive fluorescent dye (e.g., Fluo-4 AM) according to the manufacturer's instructions.
- Remove the cell culture medium and add the loading buffer to each well.
- Incubate the plate at 37°C for a specified time (e.g., 60 minutes) to allow for dye uptake.

4. Assay Performance:

- Wash the cells with assay buffer to remove excess dye.
- Place the plate in a fluorescence imaging plate reader (e.g., FLIPR, FDSS).
- Add the prepared **CNS 5161** dilutions to the plate and incubate for a predetermined time to allow for compound binding.
- Establish a baseline fluorescence reading.
- Add a pre-determined concentration of glutamate and a co-agonist (e.g., glycine) to stimulate the NMDA receptors.
- Monitor the change in fluorescence intensity over time, which corresponds to the influx of calcium.

5. Data Analysis:

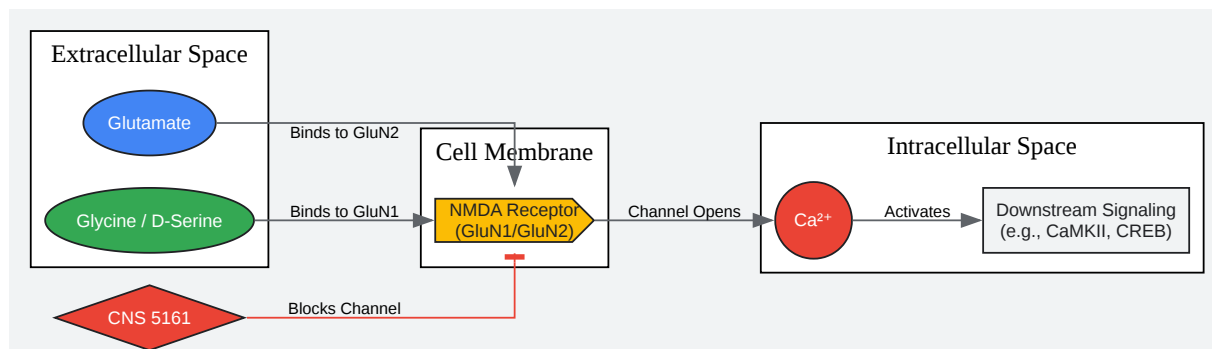
- Calculate the percent inhibition for each concentration of **CNS 5161** relative to control wells (agonist only).
- Plot the percent inhibition against the logarithm of the **CNS 5161** concentration.
- Fit the data to a four-parameter logistic equation to determine the IC50 value.

Data Presentation

Table 1: Representative Dose-Response Data for **CNS 5161** in a Calcium-Flux Assay

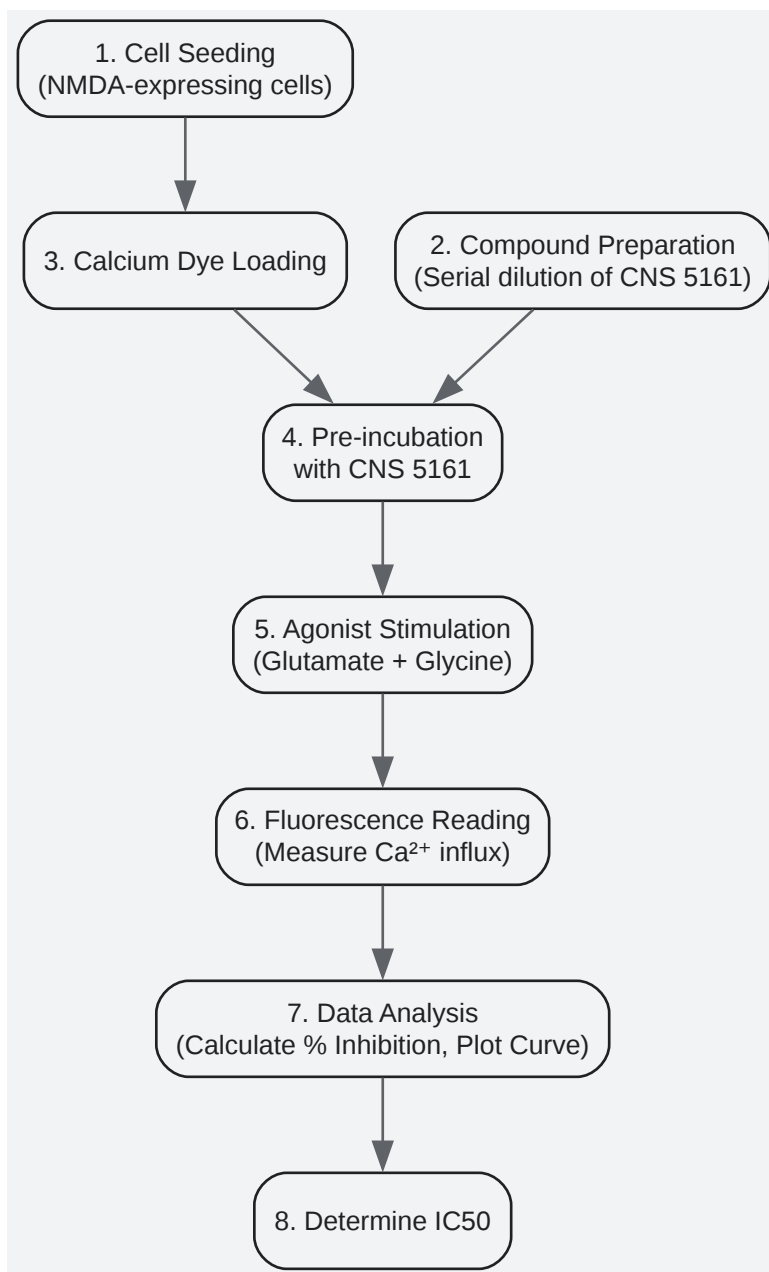
CNS 5161 Concentration (nM)	Log Concentration	% Inhibition (Mean)	% Inhibition (SD)
0.01	-11.0	2.5	1.1
0.03	-10.5	5.1	1.8
0.1	-10.0	10.2	2.5
0.3	-9.5	22.8	3.2
1.0	-9.0	48.9	4.1
3.0	-8.5	75.6	3.5
10.0	-8.0	90.1	2.8
30.0	-7.5	95.3	2.1
100.0	-7.0	98.2	1.5
300.0	-6.5	99.1	1.0

Mandatory Visualizations



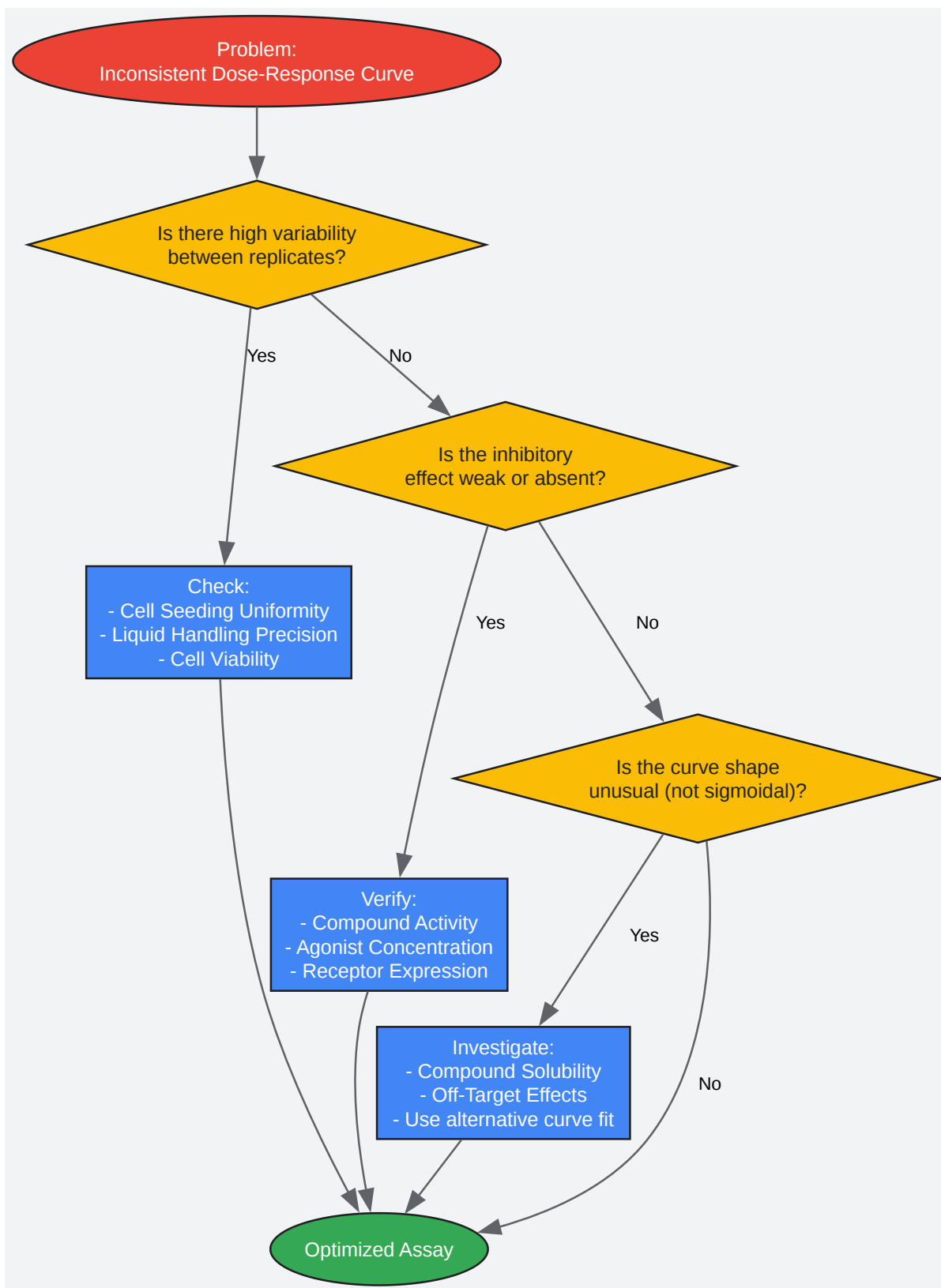
[Click to download full resolution via product page](#)

Caption: NMDA Receptor Signaling and **CNS 5161** Inhibition.



[Click to download full resolution via product page](#)

Caption: Experimental Workflow for **CNS 5161** Dose-Response Assay.



[Click to download full resolution via product page](#)

Caption: Troubleshooting Logic for Dose-Response Experiments.

Need Custom Synthesis?

BenchChem offers custom synthesis for rare earth carbides and specific isotopic labeling.

Email: info@benchchem.com or [Request Quote Online](#).

References

- [1. researchgate.net \[researchgate.net\]](https://www.researchgate.net)
- [2. jnm.snmjournals.org \[jnm.snmjournals.org\]](https://www.jnm.snmjournals.org)
- [3. NMDA Receptor Antagonists: Emerging Insights into Molecular Mechanisms and Clinical Applications in Neurological Disorders \[mdpi.com\]](https://www.mdpi.com)
- [4. In vitro and in vivo characterization of \[3H\]CNS-5161--a use-dependent ligand for the N-methyl-D-aspartate receptor in rat brain - PubMed \[pubmed.ncbi.nlm.nih.gov\]](https://pubmed.ncbi.nlm.nih.gov)
- To cite this document: BenchChem. [CNS 5161 Dose-Response Curve Optimization: A Technical Support Guide]. BenchChem, [2026]. [Online PDF]. Available at: [\[https://www.benchchem.com/product/b1669275/docs#cns-5161-dose-response-curve-optimization-a-technical-support-guide\]](https://www.benchchem.com/product/b1669275/docs#cns-5161-dose-response-curve-optimization-a-technical-support-guide)

Disclaimer & Data Validity:

The information provided in this document is for Research Use Only (RUO) and is strictly not intended for diagnostic or therapeutic procedures. While BenchChem strives to provide accurate protocols, we make no warranties, express or implied, regarding the fitness of this product for every specific experimental setup.

Technical Support: The protocols provided are for reference purposes. Unsure if this reagent suits your experiment?

Need Industrial/Bulk Grade? [Request Custom Synthesis Quote](#)

BenchChem

Our mission is to be the trusted global source of essential and advanced chemicals, empowering scientists and researchers to drive progress in science and industry.

Contact

Address: 3281 E Guasti Rd

Ontario, CA 91761, United States

Phone: (601) 213-4426

Email: info@benchchem.com

[Contact our Ph.D. Support Team for a compatibility check](#)