

# Adjusting experimental parameters for Budiodarone patch-clamp studies

**Author:** BenchChem Technical Support Team. **Date:** April 2026

## Compound of Interest

Compound Name: *Budiodarone*

CAS No.: *335148-45-3*

Cat. No.: *B1668027*

[Get Quote](#)

## Technical Support Center: Budiodarone Patch-Clamp Studies

This technical support center provides troubleshooting guidance and frequently asked questions (FAQs) for researchers utilizing patch-clamp electrophysiology to study the effects of **Budiodarone**, a multichannel ion channel blocker.

### Frequently Asked Questions (FAQs)

Q1: What is **Budiodarone** and what are its primary targets in the heart?

**Budiodarone** (also known as ATI-2042) is a chemical analog of amiodarone, designed as an antiarrhythmic agent with a significantly shorter half-life.<sup>[1][2]</sup> It is a multichannel ion channel blocker, meaning it inhibits the activity of several key cardiac ion channels. Its primary targets are:

- Potassium Channels: Specifically, the hERG (human Ether-à-go-go-Related Gene) channel, which is responsible for the rapid delayed rectifier potassium current (IKr). Inhibition of this

channel prolongs the cardiac action potential.

- Sodium Channels: It blocks voltage-gated sodium channels (primarily Nav1.5 in the heart), affecting the rapid depolarization phase of the action potential.
- Calcium Channels: It also inhibits L-type calcium channels (Cav1.2), which play a crucial role in the plateau phase of the action potential and excitation-contraction coupling.[2]

Q2: What makes **Budiodarone** different from Amiodarone?

While electrophysiologically similar to amiodarone, **Budiodarone** has a key structural difference: a sec-butyl acetate side chain.[2] This feature allows for faster metabolism, resulting in a much shorter half-life of approximately 7 hours, compared to the 35-68 days of amiodarone.[2] This rapid clearance is expected to reduce the incidence of the severe side effects associated with long-term amiodarone use.

Q3: Are there established patch-clamp protocols for studying **Budiodarone**?

While specific protocols for **Budiodarone** are not widely published in detail, standardized voltage-clamp protocols recommended by regulatory bodies like the FDA for assessing drug effects on its primary targets (hERG, Nav1.5, and Cav1.2) are available and highly relevant.[3] These protocols are designed to isolate and characterize the currents from each of these channels.

Q4: What are the expected IC50 values for **Budiodarone's** targets?

Directly published IC50 values for **Budiodarone** from patch-clamp studies are limited. However, data from its analog, amiodarone, can provide a useful starting point for experimental design. It is crucial to experimentally determine the precise IC50 values for **Budiodarone** in your specific cell system.

## Troubleshooting Guide

### Issue 1: Difficulty achieving a stable GΩ seal.

A stable giga-ohm seal is fundamental for high-quality patch-clamp recordings.

- Possible Cause 1: Poor cell health.

- Solution: Ensure cells are healthy and not overgrown. For cultured cells, use them at optimal confluency. For acutely isolated myocytes, use them within a few hours of isolation.
- Possible Cause 2: Pipette issues.
  - Solution: Use freshly pulled, fire-polished pipettes for each attempt. The ideal resistance for whole-cell recordings is typically 2-5 MΩ. Ensure the pipette tip is clean by applying positive pressure as it approaches the cell.
- Possible Cause 3: Suboptimal solutions.
  - Solution: Filter all solutions (internal and external) on the day of the experiment. Ensure the osmolarity of the internal solution is slightly lower (by ~10 mOsm) than the external solution.

## Issue 2: Unstable recordings or sudden loss of seal after drug application.

The application of **Budiodarone** or other compounds can sometimes destabilize the patch.

- Possible Cause 1: Mechanical disturbance from perfusion system.
  - Solution: Ensure your perfusion system has a slow and steady flow rate. Position the perfusion outlet away from the patched cell to avoid direct fluid streams causing mechanical stress. Use a gravity-fed or a very low-pulsation peristaltic pump system.
- Possible Cause 2: Compound precipitation.
  - Solution: **Budiodarone**, like amiodarone, can be "sticky" and may have limited solubility in aqueous solutions. Prepare fresh stock solutions and dilute to the final concentration immediately before use. Visually inspect the solution for any signs of precipitation. The addition of a surfactant to the extracellular medium may improve solubility.[4]
- Possible Cause 3: Vehicle effects.

- Solution: Always perform a vehicle control experiment to ensure that the solvent for **Budiodarone** (e.g., DMSO) does not affect the ion channels or seal stability at the concentration used.

### Issue 3: Inconsistent or unexpected drug effects.

The multichannel blocking nature of **Budiodarone** can lead to complex results.

- Possible Cause 1: Inadequate isolation of target currents.
  - Solution: To study the effect on a specific ion channel, ensure other confounding currents are blocked. For example, when studying IKr (hERG), use appropriate blockers for sodium and calcium channels in your external solution.
- Possible Cause 2: State-dependent block.
  - Solution: The blocking effect of many ion channel drugs is dependent on the state of the channel (resting, open, or inactivated). The chosen voltage protocol will significantly influence the observed block. Use protocols that assess block at different channel states to fully characterize the effect of **Budiodarone**.[\[5\]](#)
- Possible Cause 3: Time-dependent drug effects.
  - Solution: Some drugs take time to reach their binding site and exert their full effect. Ensure you are perfusing the drug for a sufficient duration to reach a steady-state block before taking measurements.

## Quantitative Data

The following tables summarize key electrophysiological parameters for the ion channels targeted by **Budiodarone**. Note that the IC50 values provided are for Amiodarone, the parent compound of **Budiodarone**, and should be used as an initial reference. Researchers should determine the specific values for **Budiodarone** in their experimental system.

Table 1: Amiodarone IC50 Values for Key Cardiac Ion Channels

Ion Channel	Current	Species/Cell Line	IC50 ( $\mu\text{M}$ )	Reference
hERG (Kv11.1)	IKr	HEK293	~0.8	[5]
Nav1.5	INa (late)	HEK293	~3.0	[5]
Nav1.5	INa (peak)	HEK293	~178.1	[5]
Nav1.5	INa	Rabbit Atrial Myocytes	~1.8	[6]
Nav1.5	INa	Rabbit Ventricular Myocytes	~40.4	[6]
-	-	Rat Cardiac	~3.6	[7]

Table 2: Recommended Internal and External Solutions for Patch-Clamp Recordings

Solution Type	Channel	Key Components (in mM)	pH	Reference
External	hERG	140 NaCl, 4 KCl, 2 CaCl <sub>2</sub> , 1 MgCl <sub>2</sub> , 10 HEPES, 10 Glucose	7.4	[8]
Nav1.5		130 NaCl, 4 CsCl, 2 CaCl <sub>2</sub> , 1 MgCl <sub>2</sub> , 10 HEPES, 10 Dextrose	7.4	[3]
Cav1.2		130 NaCl, 4 CsCl, 2 CaCl <sub>2</sub> , 1 MgCl <sub>2</sub> , 10 HEPES, 10 Dextrose	7.4	[3]
Internal	hERG	120 K-gluconate, 20 KCl, 5 EGTA, 10 HEPES, 1.5 MgATP	7.3	[3]
Nav1.5		130 CsCl, 7 NaCl, 5 EGTA, 5 HEPES, 5 MgATP, 0.4 TrisGTP	7.2	[3]
Cav1.2		120 Aspartic Acid, 120 CsOH, 10 CsCl, 10 EGTA, 5 MgATP, 0.4 TrisGTP	7.2	[3]

## Experimental Protocols

### Protocol 1: Whole-Cell Voltage-Clamp for hERG (IKr)

This protocol is based on the FDA's recommended CiPA step-ramp protocol to assess hERG block.

- Cell Preparation: Use a cell line stably expressing the hERG channel (e.g., HEK293-hERG).
- Solutions: Use the hERG external and internal solutions as detailed in Table 2.
- Seal Formation: Achieve a  $G\Omega$  seal and establish a whole-cell configuration.
- Voltage Protocol:
  - Hold the cell at -80 mV.
  - Apply a depolarizing step to +40 mV for 500 ms to activate and then inactivate the channels.
  - Apply a ramp down from +40 mV to -80 mV over 100 ms.
  - Repeat this protocol every 5 seconds.
- Data Acquisition: Measure the peak tail current during the repolarizing ramp.
- Drug Application: After obtaining a stable baseline recording for several minutes, perfuse with increasing concentrations of **Budiodarone** until a steady-state block is achieved at each concentration.

### Protocol 2: Whole-Cell Voltage-Clamp for Nav1.5 (Peak INa)

This protocol is designed to measure the peak sodium current.

- Cell Preparation: Use a cell line stably expressing the Nav1.5 channel (e.g., HEK293-Nav1.5).
- Solutions: Use the Nav1.5 external and internal solutions as detailed in Table 2.

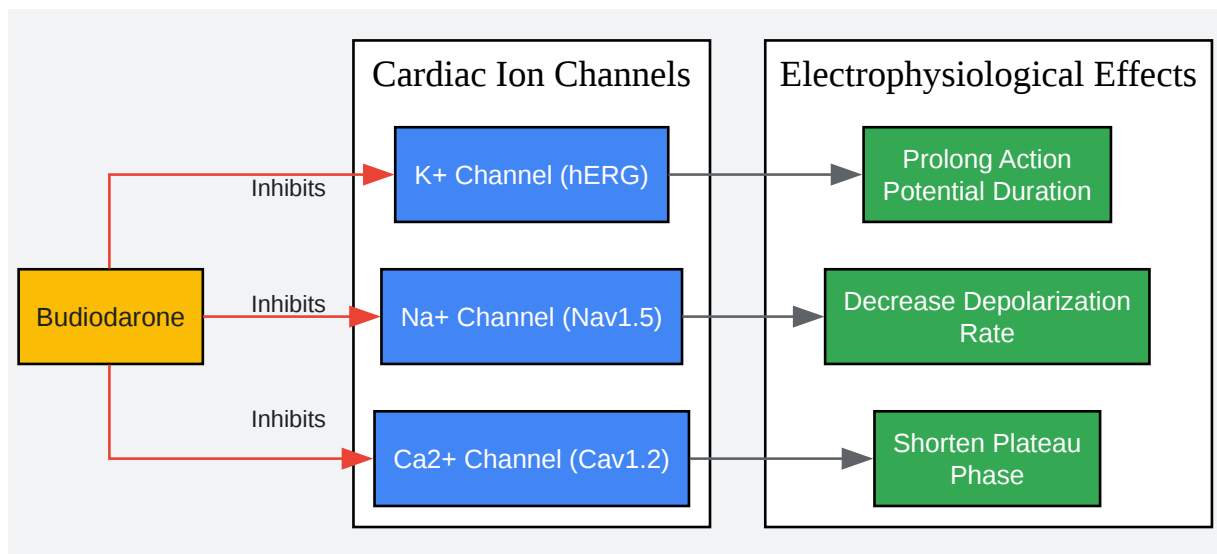
- Seal Formation: Achieve a GΩ seal and establish a whole-cell configuration.
- Voltage Protocol:
  - Hold the cell at a hyperpolarized potential (e.g., -120 mV) to ensure all channels are in the resting state.
  - Apply a depolarizing step to -10 mV for 20-50 ms to elicit the peak inward current.
  - Return to the holding potential.
- Data Acquisition: Measure the peak inward current during the depolarizing step.
- Drug Application: Follow the same procedure as for the hERG protocol.

### Protocol 3: Whole-Cell Voltage-Clamp for Cav1.2 (ICa,L)

This protocol is for measuring the L-type calcium current.

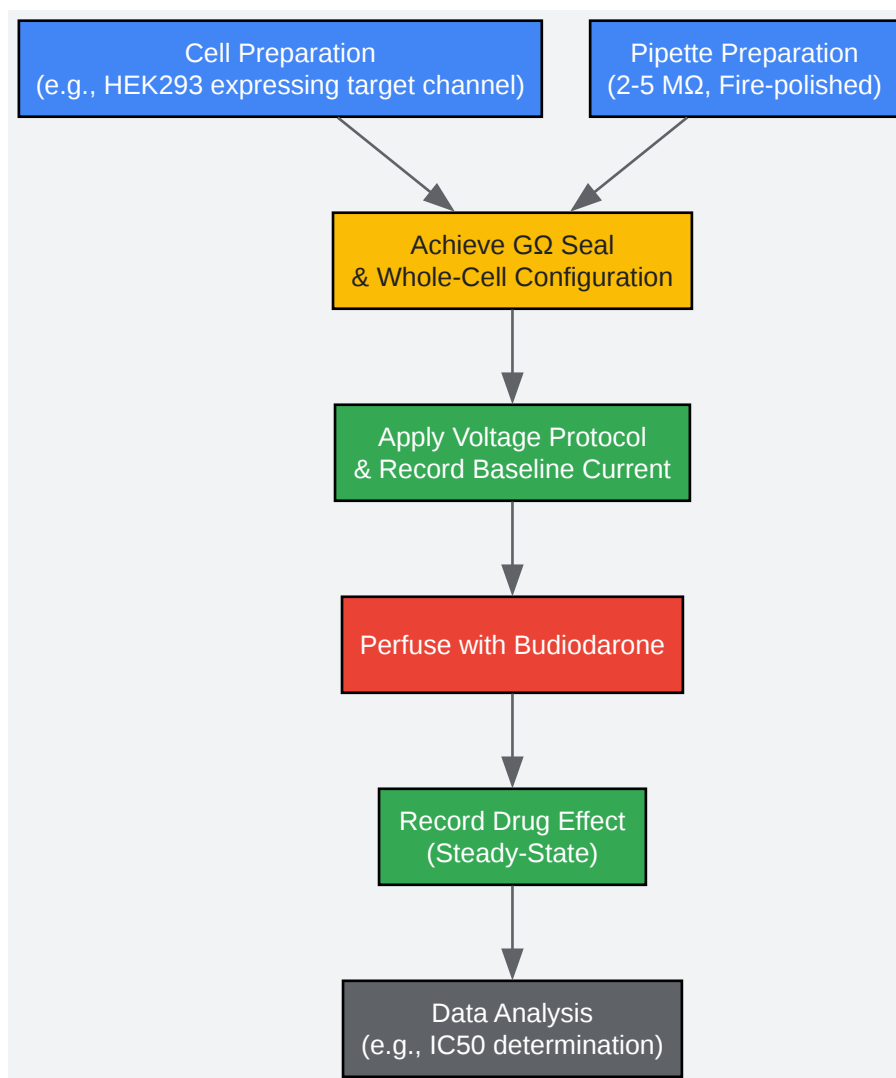
- Cell Preparation: Use a cell line stably expressing the Cav1.2 channel (e.g., HEK293-Cav1.2).
- Solutions: Use the Cav1.2 external and internal solutions as detailed in Table 2.
- Seal Formation: Achieve a GΩ seal and establish a whole-cell configuration.
- Voltage Protocol:
  - Hold the cell at -80 mV.
  - Apply a depolarizing step to +10 mV for 200-300 ms to activate the channels.
  - Return to the holding potential.
- Data Acquisition: Measure the peak inward current during the depolarizing step.
- Drug Application: Follow the same procedure as for the hERG protocol.

## Visualizations



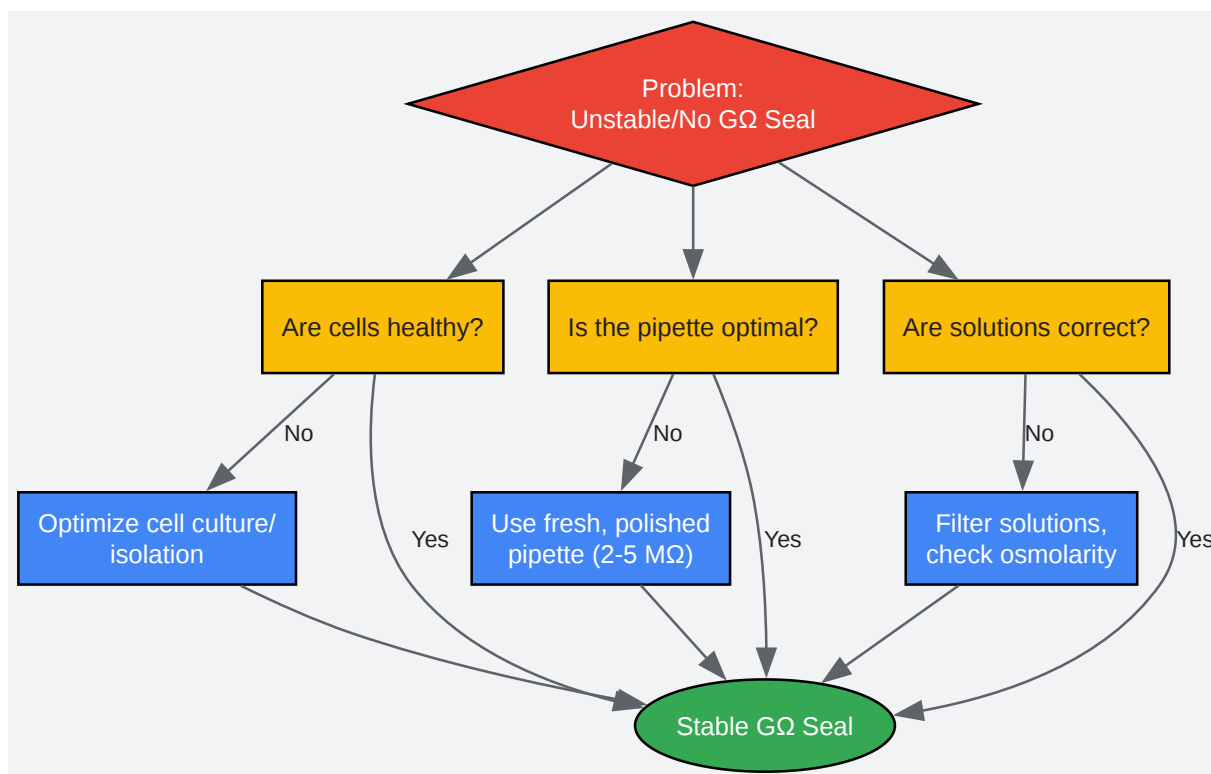
[Click to download full resolution via product page](#)

Caption: Mechanism of action of **Budiodarone** on cardiac ion channels.



[Click to download full resolution via product page](#)

Caption: General workflow for a **Budiodarone** patch-clamp experiment.



[Click to download full resolution via product page](#)

Caption: Logical troubleshooting flow for achieving a stable GΩ seal.

### Need Custom Synthesis?

BenchChem offers custom synthesis for rare earth carbides and specific isotopic labeling.

Email: [info@benchchem.com](mailto:info@benchchem.com) or [Request Quote Online](#).

## References

- 1. [ahajournals.org](http://ahajournals.org) [[ahajournals.org](http://ahajournals.org)]
- 2. [Budiodarone - Wikipedia](https://en.wikipedia.org/wiki/Budiodarone) [[en.wikipedia.org](https://en.wikipedia.org/wiki/Budiodarone)]
- 3. [fda.gov](http://fda.gov) [[fda.gov](http://fda.gov)]
- 4. Automated Patch-Clamp Methods for the hERG Cardiac Potassium Channel - PubMed [[pubmed.ncbi.nlm.nih.gov](https://pubmed.ncbi.nlm.nih.gov)]
- 5. Augmentation of late sodium current unmasks the proarrhythmic effects of amiodarone - PMC [[pmc.ncbi.nlm.nih.gov](https://pmc.ncbi.nlm.nih.gov)]

- [6. academic.oup.com \[academic.oup.com\]](https://academic.oup.com)
- [7. Amiodarone: biochemical evidence for binding to a receptor for class I drugs associated with the rat cardiac sodium channel - PubMed \[pubmed.ncbi.nlm.nih.gov\]](https://pubmed.ncbi.nlm.nih.gov)
- [8. sophion.com \[sophion.com\]](https://sophion.com)
- To cite this document: BenchChem. [Adjusting experimental parameters for Budiodarone patch-clamp studies]. BenchChem, [2026]. [Online PDF]. Available at: [\[https://www.benchchem.com/product/b1668027/docs#adjusting-experimental-parameters-for-budiodarone-patch-clamp-studies\]](https://www.benchchem.com/product/b1668027/docs#adjusting-experimental-parameters-for-budiodarone-patch-clamp-studies)

---

### Disclaimer & Data Validity:

The information provided in this document is for Research Use Only (RUO) and is strictly not intended for diagnostic or therapeutic procedures. While BenchChem strives to provide accurate protocols, we make no warranties, express or implied, regarding the fitness of this product for every specific experimental setup.

**Technical Support:** The protocols provided are for reference purposes. Unsure if this reagent suits your experiment?

**Need Industrial/Bulk Grade?** [Request Custom Synthesis Quote](#)

## BenchChem

Our mission is to be the trusted global source of essential and advanced chemicals, empowering scientists and researchers to drive progress in science and industry.

### Contact

Address: 3281 E Guasti Rd  
Ontario, CA 91761, United States  
Phone: (601) 213-4426  
Email: [info@benchchem.com](mailto:info@benchchem.com)

[Contact our Ph.D. Support Team for a compatibility check](#)

