

# AVE-9488 as an eNOS Transcription Enhancer: A Technical Guide

**Author:** BenchChem Technical Support Team. **Date:** April 2026

## Compound of Interest

Compound Name:	AVE-9488
CAS No.:	291756-32-6
Cat. No.:	B1666144

[Get Quote](#)

For Researchers, Scientists, and Drug Development Professionals

## Introduction

Endothelial nitric oxide synthase (eNOS) is a critical enzyme responsible for the production of nitric oxide (NO) in the vascular endothelium. NO is a key signaling molecule that plays a pivotal role in maintaining cardiovascular homeostasis, including the regulation of vascular tone, inhibition of platelet aggregation, and prevention of leukocyte adhesion. Endothelial dysfunction, characterized by reduced NO bioavailability, is a hallmark of many cardiovascular diseases. Consequently, enhancing eNOS expression and activity represents a promising therapeutic strategy. **AVE-9488** (4-fluoro-N-indan-2-yl-benzamide) is a small-molecule compound that has been identified as a potent eNOS transcription enhancer.<sup>[1]</sup> This technical guide provides an in-depth overview of the core scientific findings related to **AVE-9488**, focusing on its mechanism of action, quantitative effects, and the experimental methodologies used in its characterization.

## Mechanism of Action

**AVE-9488** enhances the transcription of the eNOS gene, leading to increased eNOS mRNA and protein levels.[1][2] This ultimately results in greater NO production and improved endothelial function. Studies have shown that **AVE-9488** enhances eNOS promoter activity, with the responsible cis-element located within the proximal 263 base pairs of the promoter region.[1] Interestingly, while the transcription factor Sp1 is crucial for basal eNOS promoter activity, its knockdown does not prevent the transcriptional activation by **AVE-9488**, suggesting that **AVE-9488** functions through an Sp1-independent pathway.[1] The precise upstream signaling cascade activated by **AVE-9488** to induce eNOS transcription has not yet been fully elucidated.

In addition to upregulating eNOS expression, **AVE-9488** has been shown to reverse eNOS uncoupling.[1] Under conditions of oxidative stress, eNOS can become "uncoupled," producing superoxide radicals instead of NO. **AVE-9488** treatment has been observed to enhance the vascular content of the essential eNOS cofactor (6R)-5,6,7,8-tetrahydro-l-biopterin (BH4), which is critical for maintaining the coupled state of the enzyme.[1]

## Quantitative Data Summary

The following tables summarize the quantitative effects of **AVE-9488** as reported in various preclinical studies.

Table 1: In Vitro Effects of **AVE-9488** on eNOS Expression and Activity

Cell Type	Treatment	Outcome Measure	Result	Reference
Human Umbilical Vein Endothelial Cells (HUVECs)	2 $\mu$ M AVE-9488 for 18h	eNOS mRNA expression	Increased (comparable to 5 $\mu$ M simvastatin)	[2]
HUVECs	AVE-9488 (concentration-dependent) for 18h	eNOS protein expression	Increased	[2]
HUVECs	2 $\mu$ M AVE-9488 (18h pretreatment), then 100 nM bradykinin (3 min)	Intracellular cGMP (indicator of NO production)	Significantly enhanced	[2]

 Table 2: In Vivo Effects of **AVE-9488** on eNOS Expression and Cardiovascular Parameters

Animal Model	Treatment	Tissue/Parameter	Outcome Measure	Result	Reference
Adult C57BL/6J mice	30 mg/kg/day AVE-9488 for 17 days	Aortas and femoral arteries	eNOS protein expression	Significantly higher amounts compared to controls	[3]
Mice	30 mg/kg/day AVE-9488 for 1 week, then ischemia/rep perfusion	Myocardium	Infarct/area at risk	36.9 ± 4.0% vs. 65.4 ± 4.1% in placebo	[4]
Mice	30 mg/kg/day AVE-9488 for 1 week, then ischemia/rep perfusion	Myocardium	Malondialdehyde-thiobarbituric acid levels (oxidative stress)	0.8 ± 0.07 μmol/l vs. 3.2 ± 0.5 μmol/l in placebo	[4]

## Experimental Protocols

This section provides an overview of the key experimental methodologies used to characterize the effects of **AVE-9488**.

### Cell Culture

- **Cell Line:** Human Umbilical Vein Endothelial Cells (HUVECs) are a primary cell type used for in vitro studies of **AVE-9488**.
- **Culture Conditions:** HUVECs are typically cultured in Endothelial Cell Growth Medium on surfaces coated with an extracellular matrix protein like gelatin or collagen I. Cells are maintained in a humidified incubator at 37°C with 5% CO<sub>2</sub>. The medium is changed every other day until the cells reach 85-90% confluency. For experiments, cells are treated with **AVE-9488** or vehicle control for specified durations.

## Quantification of eNOS mRNA by Real-Time RT-PCR

- **RNA Isolation:** Total RNA is extracted from cultured cells or tissues using a suitable method, such as TRIzol reagent. The quality and quantity of RNA are assessed by spectrophotometry.
- **Reverse Transcription (RT):** First-strand cDNA is synthesized from the total RNA using a reverse transcriptase enzyme and appropriate primers.
- **Real-Time PCR (qPCR):** The cDNA is then used as a template for qPCR with primers specific for the eNOS gene. A housekeeping gene (e.g., GAPDH or 18S rRNA) is used as an internal control for normalization. The relative expression of eNOS mRNA is calculated using the  $\Delta\Delta C_t$  method.

## Western Blot Analysis for eNOS Protein Expression

- **Protein Extraction:** Cells or tissues are lysed in a buffer containing protease and phosphatase inhibitors to extract total protein. Protein concentration is determined using a standard assay such as the BCA assay.
- **SDS-PAGE and Transfer:** Equal amounts of protein are separated by sodium dodecyl sulfate-polyacrylamide gel electrophoresis (SDS-PAGE) and then transferred to a nitrocellulose or PVDF membrane.
- **Immunoblotting:** The membrane is blocked to prevent non-specific antibody binding and then incubated with a primary antibody specific for eNOS. After washing, the membrane is incubated with a horseradish peroxidase (HRP)-conjugated secondary antibody.
- **Detection:** The protein bands are visualized using an enhanced chemiluminescence (ECL) detection system. The band intensity is quantified using densitometry software and normalized to a loading control such as  $\beta$ -actin or GAPDH.

## Measurement of NO Production (cGMP Assay)

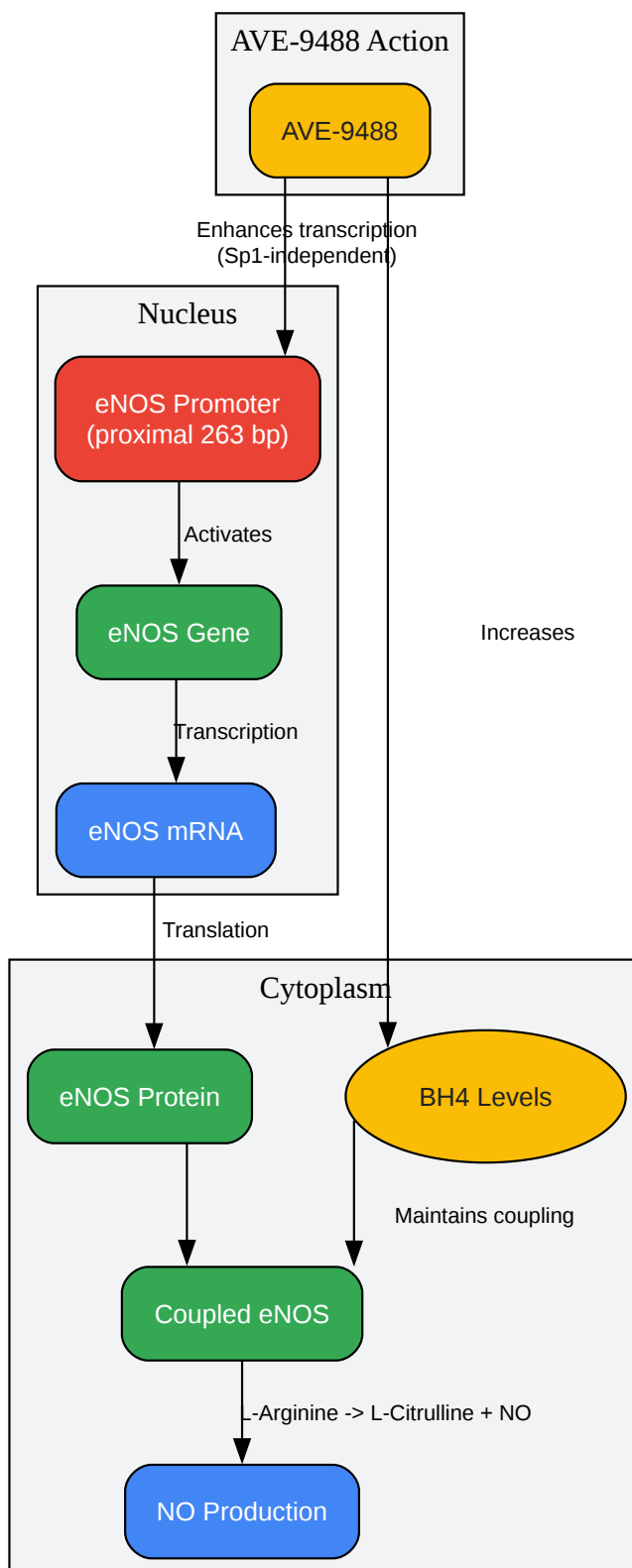
- **Principle:** As a surrogate for bioactive NO production, intracellular cyclic guanosine monophosphate (cGMP) levels are measured. NO activates soluble guanylate cyclase (sGC), which converts GTP to cGMP.

- Procedure: HUVECs are pretreated with **AVE-9488** and then stimulated with an eNOS agonist like bradykinin. The cells are then lysed, and the intracellular cGMP concentration is determined using a competitive radioimmunoassay or an enzyme-linked immunosorbent assay (ELISA) kit.

## In Vivo Animal Studies

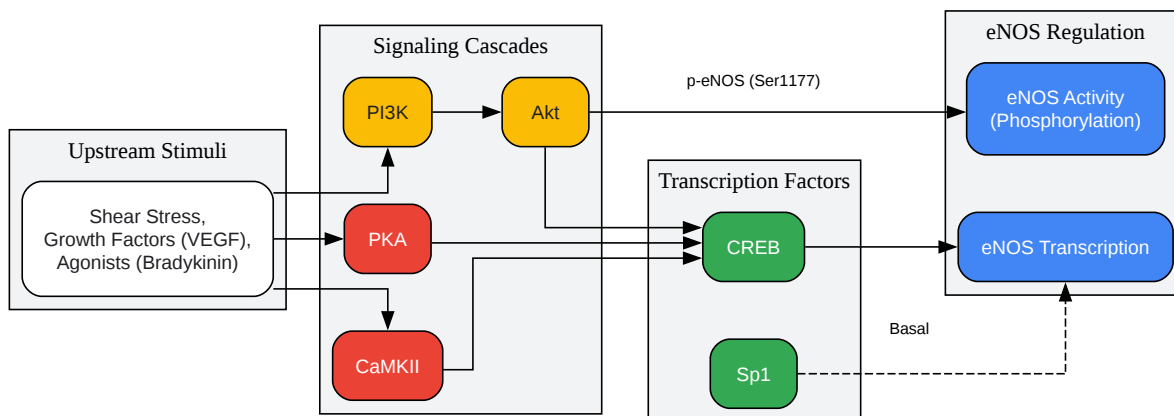
- Animal Models: Studies have utilized wild-type mice (e.g., C57BL/6J) and models of cardiovascular disease such as apolipoprotein E-knockout (apoE-KO) mice.
- Drug Administration: **AVE-9488** is typically administered orally, often mixed in the chow, at a specified dose (e.g., 30 mg/kg/day) for a defined period.
- Ischemia/Reperfusion Injury Model: To assess cardioprotective effects, mice can be subjected to coronary artery ligation for a period (e.g., 30 minutes) followed by reperfusion. Infarct size and markers of oxidative stress are then measured.
- Tissue Analysis: Following the treatment period, tissues such as the aorta, femoral arteries, and heart are harvested for analysis of eNOS protein expression by Western blot or immunohistochemistry.

## Visualizations: Signaling Pathways and Workflows



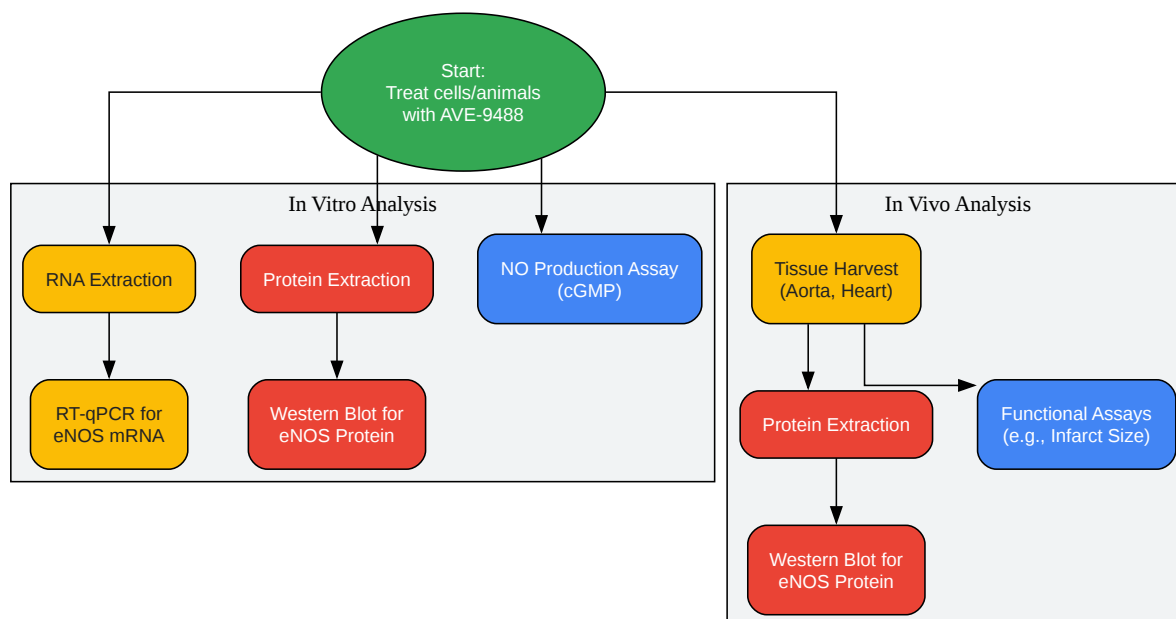
[Click to download full resolution via product page](#)

Caption: Proposed mechanism of **AVE-9488** action.



[Click to download full resolution via product page](#)

Caption: General signaling pathways regulating eNOS.



[Click to download full resolution via product page](#)

Caption: General experimental workflow for **AVE-9488**.

## Conclusion

**AVE-9488** is a potent small-molecule enhancer of eNOS transcription that has demonstrated significant potential in preclinical models of cardiovascular disease. Its ability to increase eNOS expression and activity, coupled with its capacity to reverse eNOS uncoupling, makes it an attractive candidate for further investigation. While the precise signaling pathway through which **AVE-9488** exerts its effects remains to be fully elucidated, the available data strongly support its role as a valuable tool for research and a potential lead for the development of novel therapies targeting endothelial dysfunction. Further studies are warranted to delineate its

molecular mechanism and to translate these promising preclinical findings into clinical applications.

### Need Custom Synthesis?

BenchChem offers custom synthesis for rare earth carbides and specific isotopic labeling.

Email: [info@benchchem.com](mailto:info@benchchem.com) or [Request Quote Online](#).

## References

- 1. BioKB - Publication [[biokb.lcsb.uni.lu](https://pubmed.ncbi.nlm.nih.gov/26111111/)]
- 2. [researchgate.net](https://www.researchgate.net/publication/328111111) [[researchgate.net](https://www.researchgate.net)]
- 3. [researchgate.net](https://www.researchgate.net/publication/328111111) [[researchgate.net](https://www.researchgate.net)]
- 4. The eNOS enhancer AVE 9488: a novel cardioprotectant against ischemia reperfusion injury - PubMed [[pubmed.ncbi.nlm.nih.gov](https://pubmed.ncbi.nlm.nih.gov/26111111/)]
- To cite this document: BenchChem. [AVE-9488 as an eNOS Transcription Enhancer: A Technical Guide]. BenchChem, [2026]. [Online PDF]. Available at: [<https://www.benchchem.com/product/b1666144/docs#ave-9488-as-an-enos-transcription-enhancer-a-technical-guide>]

---

### Disclaimer & Data Validity:

The information provided in this document is for Research Use Only (RUO) and is strictly not intended for diagnostic or therapeutic procedures. While BenchChem strives to provide accurate protocols, we make no warranties, express or implied, regarding the fitness of this product for every specific experimental setup.

**Technical Support:** The protocols provided are for reference purposes. Unsure if this reagent suits your experiment?

**Need Industrial/Bulk Grade?** [Request Custom Synthesis Quote](#)

# BenchChem

Our mission is to be the trusted global source of essential and advanced chemicals, empowering scientists and researchers to drive progress in science and industry.

## Contact

Address: 3281 E Guasti Rd

Ontario, CA 91761, United States

Phone: (601) 213-4426

Email: [info@benchchem.com](mailto:info@benchchem.com)

[Contact our Ph.D. Support Team for a compatibility check](#)