

# interpreting variable Telavancin MIC results in susceptibility testing

**Author:** BenchChem Technical Support Team. **Date:** April 2026

## Compound of Interest

Compound Name: *Telavancin hydrochloride*

CAS No.: *560130-42-9*

Cat. No.: *B1663081*

[Get Quote](#)

## Technical Support Center: Interpreting Telavancin MIC Results

This technical support center provides troubleshooting guidance and frequently asked questions (FAQs) for researchers, scientists, and drug development professionals engaged in Telavancin susceptibility testing. Our aim is to help you navigate and interpret variable Telavancin Minimum Inhibitory Concentration (MIC) results.

## Troubleshooting Guide for Telavancin MIC Assays

Variability in Telavancin MIC results can arise from several factors, from procedural deviations to specific characteristics of the isolate being tested. The following table outlines common issues, their potential causes, and recommended solutions.

| Problem  | Potential Cause(s)  | Recommended Solution(s)  |
|--|---|--|
| Higher-than-expected MIC values  | Inoculum too heavy: An excessively high bacterial concentration can overwhelm the antimicrobial agent.  | Ensure the inoculum is standardized to a 0.5 McFarland turbidity standard.   |
| Drug binding to plasticware: Telavancin is a lipoglycopeptide and can adhere to the plastic surfaces of microtiter plates, reducing its effective concentration. <a href="#">[1]</a> <a href="#">[2]</a>               | Use cation-adjusted Mueller-Hinton broth (CAMHB) supplemented with 0.002% polysorbate 80 (P-80) to prevent drug binding. <a href="#">[1]</a> <a href="#">[2]</a>                        |  |
| Improper drug preparation: Telavancin is poorly soluble in water.  | Prepare the stock solution in 100% dimethyl sulfoxide (DMSO) as recommended by CLSI guidelines. <a href="#">[1]</a> <a href="#">[2]</a>   |  |
| Use of outdated testing methods: The previous CLSI method for Telavancin susceptibility testing is known to produce higher MIC values. <a href="#">[3]</a> <a href="#">[4]</a> <a href="#">[5]</a> <a href="#">[6]</a> | Adopt the revised CLSI broth microdilution method which incorporates DMSO for stock solution preparation and polysorbate 80 in the test medium. <a href="#">[1]</a> <a href="#">[2]</a> |  |
| Lower-than-expected MIC values   | Inoculum too light: An insufficient bacterial concentration can lead to falsely low MICs.   | Verify the inoculum density using a spectrophotometer or by performing colony counts.  |
| Degradation of Telavancin: Improper storage of the drug powder or stock solutions can lead to loss of potency.   | Store Telavancin powder and stock solutions at the recommended temperatures and protect from light.   |  |
| Trailing Endpoints (Hazy Growth)   | Reduced but not complete inhibition: Some isolates may exhibit diminished growth over a range of concentrations,  | The MIC should be read as the lowest concentration that causes a significant reduction in growth compared to the positive control well. For hazy |

|  |   |   |
|--|---|---|
|  | making the endpoint difficult to determine.   | growth, this is often interpreted as the concentration at which there is ~80% inhibition of growth.                         |
| Skipped Wells  | Technical error: Inaccurate pipetting or cross-contamination can lead to inconsistent growth patterns.                            | Review pipetting techniques and ensure proper aseptic methods are used. Repeat the assay with fresh reagents and materials. |
| Contamination: The presence of a contaminating organism with a different susceptibility profile can cause unexpected growth in some wells. | Check the purity of the inoculum by subculturing onto an appropriate agar plate.  |   |
| Inconsistent Results Between Replicates  | Procedural variability: Minor differences in inoculum preparation, pipetting, or incubation can lead to variations in MIC values. | Ensure all steps of the protocol are performed consistently and with calibrated equipment.                                  |
| Heteroresistance: The bacterial population may contain a subpopulation of more resistant cells.  | Consider performing population analysis profiles (PAPs) to investigate heteroresistance.  |   |

## Frequently Asked Questions (FAQs)

Q1: Why are my Telavancin MIC values for *Staphylococcus aureus* higher than what is reported in recent literature?

A1: This is likely due to the use of an outdated testing method. In 2014, the Clinical and Laboratory Standards Institute (CLSI) revised the reference broth microdilution method for Telavancin.<sup>[1][7]</sup> The revised method, which includes the use of DMSO as a solvent for the drug and the addition of 0.002% polysorbate 80 to the broth, yields more accurate and reproducible MICs that are typically 4- to 8-fold lower than those obtained with the previous method.<sup>[1][5][6]</sup>

Q2: What are the current CLSI-recommended quality control (QC) ranges for Telavancin?

A2: The CLSI M100 document provides the following QC ranges for Telavancin when using the revised broth microdilution method[3][4][8]:

| QC Strain                | ATCC Number | MIC Range (µg/mL) |
|--------------------------|-------------|-------------------|
| Staphylococcus aureus    | 29213       | 0.03 - 0.12       |
| Enterococcus faecalis    | 29212       | 0.03 - 0.12       |
| Streptococcus pneumoniae | 49619       | 0.004 - 0.015     |

Q3: What are the FDA-approved susceptibility breakpoints for Telavancin?

A3: The FDA has established the following susceptible-only breakpoints for Telavancin[7]:

| Organism   | Susceptible MIC (µg/mL) |
|--|-------------------------|
| Staphylococcus aureus (including MRSA)                       | ≤ 0.12                  |
| Streptococcus pyogenes                                       | ≤ 0.12                  |
| Streptococcus agalactiae                                     | ≤ 0.12                  |
| Streptococcus anginosus group                                | ≤ 0.06                  |
| Enterococcus faecalis (vancomycin-susceptible isolates only) | ≤ 0.25                  |

Q4: Can I use a commercial automated system for Telavancin susceptibility testing?

A4: While some commercial systems may offer Telavancin testing, it is crucial to verify that their methodology is aligned with the revised CLSI reference method to ensure accurate results. Discrepancies between methods have been observed.[9]

Q5: How does the dual mechanism of action of Telavancin affect its in vitro activity?

A5: Telavancin has a dual mechanism of action: it inhibits bacterial cell wall synthesis by binding to the D-Ala-D-Ala terminus of peptidoglycan precursors, and it disrupts the bacterial

cell membrane potential.[1][7] This dual action contributes to its potent and rapid bactericidal activity against a broad range of Gram-positive pathogens.

## Experimental Protocols

### CLSI-Recommended Broth Microdilution Method for Telavancin

This protocol is based on the CLSI M07-A10 guidelines and specific recommendations for Telavancin.

#### 1. Preparation of Telavancin Stock Solution:

- Weigh a sufficient amount of Telavancin powder.
- Dissolve the powder in 100% DMSO to a final concentration of 1.28 mg/mL.

#### 2. Preparation of Microtiter Plates:

- Perform serial twofold dilutions of the Telavancin stock solution in cation-adjusted Mueller-Hinton broth (CAMHB) supplemented with 0.002% polysorbate 80.
- The final volume in each well should be 100  $\mu$ L.
- Include a growth control well (broth and inoculum only) and a sterility control well (broth only).

#### 3. Inoculum Preparation:

- From a fresh (18-24 hour) culture, select 3-5 colonies and suspend them in a suitable broth or saline.
- Adjust the turbidity of the suspension to a 0.5 McFarland standard (equivalent to approximately  $1-2 \times 10^8$  CFU/mL).
- Within 15 minutes of standardization, dilute the suspension in CAMHB to achieve a final inoculum density of approximately  $5 \times 10^5$  CFU/mL in each well.

#### 4. Inoculation and Incubation:

- Inoculate each well with 10  $\mu$ L of the standardized inoculum.
- Incubate the plates at  $35^{\circ}\text{C} \pm 2^{\circ}\text{C}$  for 16-20 hours in ambient air.

#### 5. Reading and Interpreting Results:

- The MIC is the lowest concentration of Telavancin that completely inhibits visible growth.
- A button of growth at the bottom of the well or definite turbidity indicates growth.

## Data Presentation

### Comparison of Telavancin MIC Values: Old vs. Revised CLSI Method

| Organism                    | Previous Method<br>MIC50/MIC90<br>( $\mu\text{g}/\text{mL}$ ) | Revised Method<br>MIC50/MIC90<br>( $\mu\text{g}/\text{mL}$ ) | Fold-Change in<br>MIC90 |
|-----------------------------|---|--|-------------------------|
| Staphylococcus aureus       | 0.25 / 0.5  | 0.03 / 0.06  | 8-fold lower            |
| Enterococcus faecalis (VSE) | 0.25 / 0.5  | 0.12 / 0.12  | 4-fold lower            |
| Streptococcus pneumoniae    | 0.03 / 0.06   | 0.008 / 0.015  | 4-fold lower            |

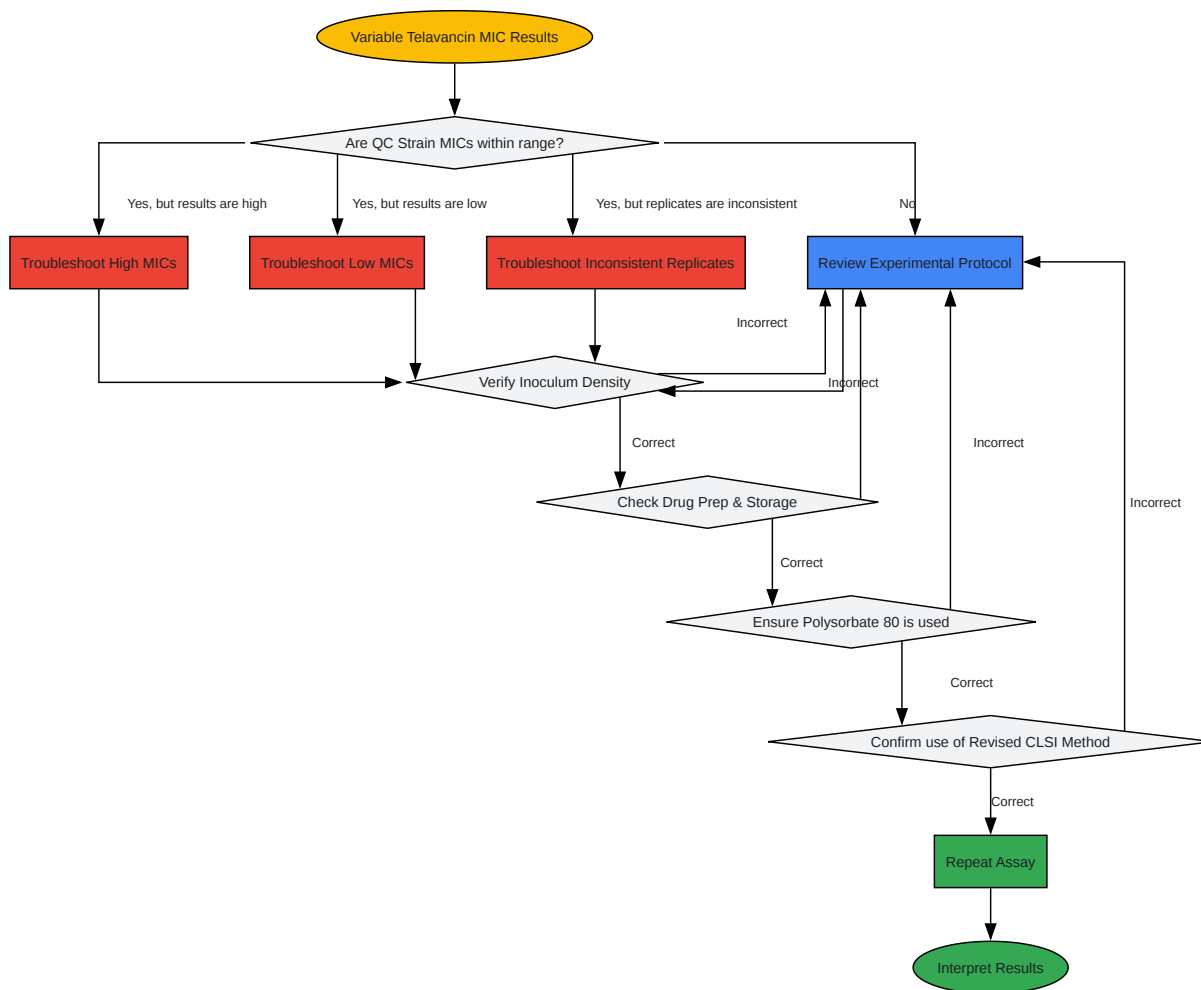
Data compiled from multiple surveillance studies.[\[2\]](#)[\[5\]](#)[\[10\]](#)[\[11\]](#)[\[12\]](#)[\[13\]](#)[\[14\]](#)

### Telavancin MIC Distribution for Key Pathogens (Revised Method)

| Organism                     | MIC50 ( $\mu\text{g/mL}$ ) | MIC90 ( $\mu\text{g/mL}$ ) | % Susceptible |
|------------------------------|----------------------------|----------------------------|---------------|
| Staphylococcus aureus (MSSA) | 0.03                       | 0.06                       | 100           |
| Staphylococcus aureus (MRSA) | 0.03                       | 0.06                       | 100           |
| Enterococcus faecalis (VSE)  | 0.12                       | 0.12                       | 100           |
| Enterococcus faecium (VSE)   | 0.03                       | 0.06                       | N/A           |

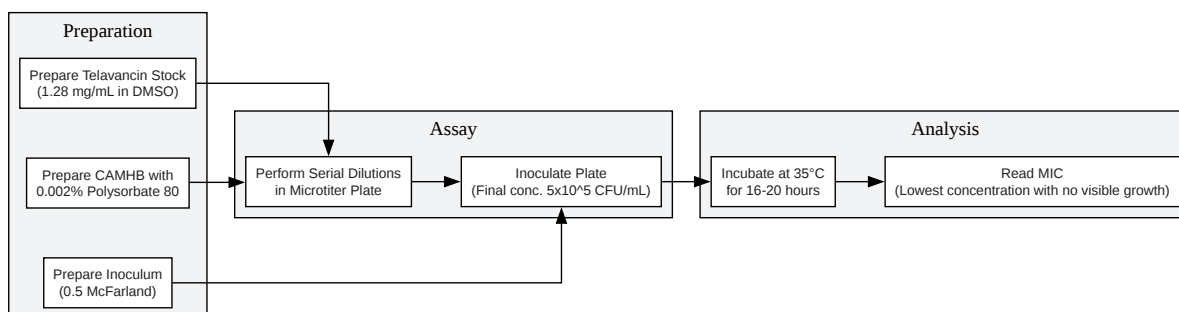
VSE: Vancomycin-Susceptible Enterococcus. N/A: Breakpoint not established.[\[10\]](#)[\[11\]](#)[\[12\]](#)

## Visualizations



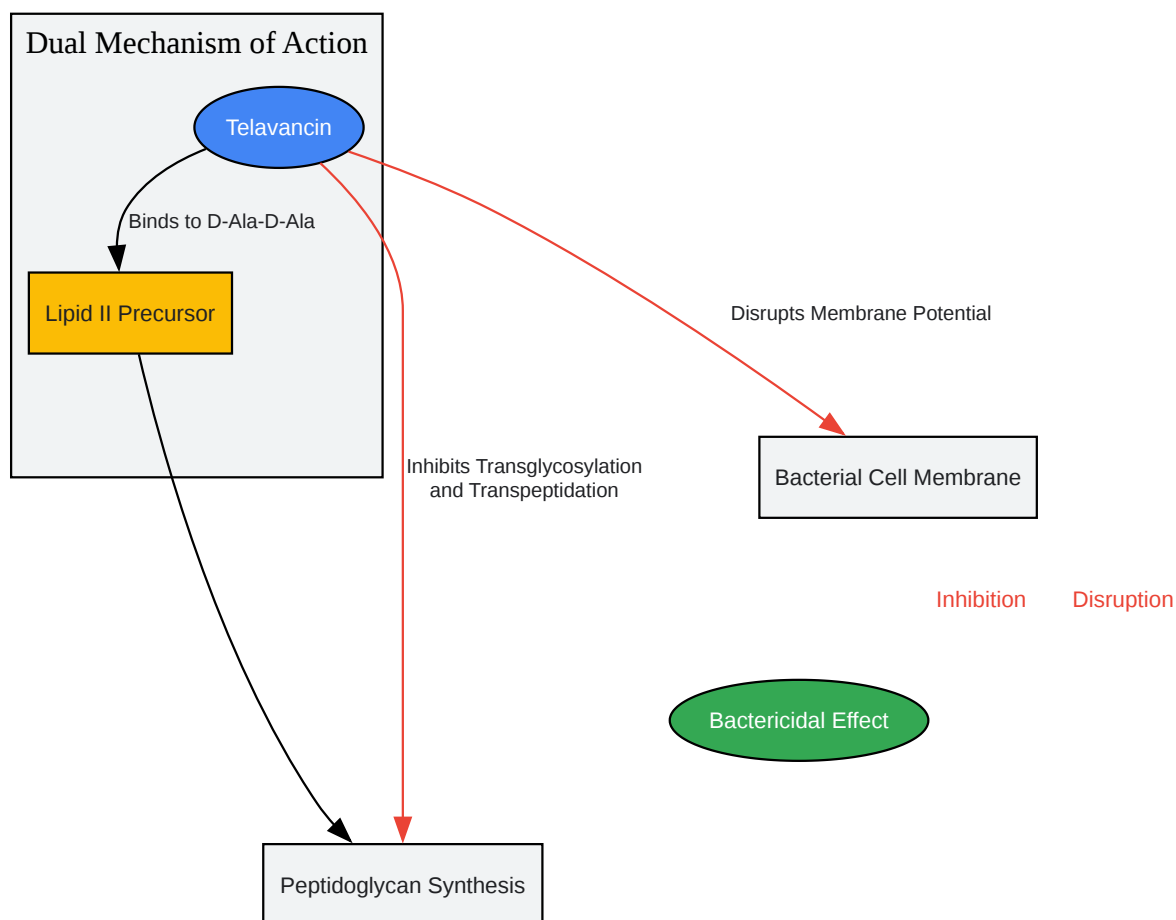
[Click to download full resolution via product page](#)

Caption: Troubleshooting workflow for variable Telavancin MIC results.



[Click to download full resolution via product page](#)

Caption: Experimental workflow for Telavancin MIC determination.



[Click to download full resolution via product page](#)

Caption: Dual mechanism of action of Telavancin.

### Need Custom Synthesis?

BenchChem offers custom synthesis for rare earth carbides and specific isotopic labeling.

Email: [info@benchchem.com](mailto:info@benchchem.com) or [Request Quote Online](#).

## References

- [1. Revised Reference Broth Microdilution Method for Testing Telavancin: Effect on MIC Results and Correlation with Other Testing Methodologies - PMC \[pmc.ncbi.nlm.nih.gov\]](#)
- [2. Telavancin activity when tested by a revised susceptibility testing method against uncommonly isolated Gram-positive pathogens responsible for documented infections in hospitals worldwide \(2011-2013\) - PubMed \[pubmed.ncbi.nlm.nih.gov\]](#)
- [3. Quality control MIC ranges used for telavancin with application of a revised CLSI reference broth microdilution method - PubMed \[pubmed.ncbi.nlm.nih.gov\]](#)
- [4. Quality Control MIC Ranges Used for Telavancin with Application of a Revised CLSI Reference Broth Microdilution Method - PMC \[pmc.ncbi.nlm.nih.gov\]](#)
- [5. Revised reference broth microdilution method for testing telavancin: effect on MIC results and correlation with other testing methodologies - PubMed \[pubmed.ncbi.nlm.nih.gov\]](#)
- [6. Assessment of telavancin minimal inhibitory concentrations by revised broth microdilution method in phase 3 complicated skin and skin-structure infection clinical trial isolates - PubMed \[pubmed.ncbi.nlm.nih.gov\]](#)
- [7. In Vitro Activities of Telavancin and Vancomycin against Biofilm-Producing Staphylococcus aureus, S. epidermidis, and Enterococcus faecalis Strains - PMC \[pmc.ncbi.nlm.nih.gov\]](#)
- [8. jmilabs.com \[jmilabs.com\]](#)
- [9. Telavancin Demonstrates Activity against Methicillin-Resistant Staphylococcus aureus Isolates with Reduced Susceptibility to Vancomycin, Daptomycin, and Linezolid in Broth Microdilution MIC and One-Compartment Pharmacokinetic/Pharmacodynamic Models - PMC \[pmc.ncbi.nlm.nih.gov\]](#)
- [10. In Vitro Activity of Telavancin Against Clinically Important Gram-Positive Pathogens from 69 U.S. Medical Centers \(2015\): Potency Analysis by U.S. Census Divisions - PMC \[pmc.ncbi.nlm.nih.gov\]](#)
- [11. researchgate.net \[researchgate.net\]](#)
- [12. Baseline Activity of Telavancin against Gram-Positive Clinical Isolates Responsible for Documented Infections in U.S. Hospitals \(2011-2012\) as Determined by the Revised Susceptibility Testing Method - PMC \[pmc.ncbi.nlm.nih.gov\]](#)
- [13. researchgate.net \[researchgate.net\]](#)
- [14. Comparative Surveillance Study of Telavancin Activity against Recently Collected Gram-Positive Clinical Isolates from across the United States - PMC \[pmc.ncbi.nlm.nih.gov\]](#)
- To cite this document: BenchChem. [interpreting variable Telavancin MIC results in susceptibility testing]. BenchChem, [2026]. [Online PDF]. Available at: [\[https://www.benchchem.com/product/b1663081/docs#interpreting-variable-telavancin-mic-results-in-susceptibility-testing\]](https://www.benchchem.com/product/b1663081/docs#interpreting-variable-telavancin-mic-results-in-susceptibility-testing)

**Disclaimer & Data Validity:**

The information provided in this document is for Research Use Only (RUO) and is strictly not intended for diagnostic or therapeutic procedures. While BenchChem strives to provide accurate protocols, we make no warranties, express or implied, regarding the fitness of this product for every specific experimental setup.

**Technical Support:** The protocols provided are for reference purposes. Unsure if this reagent suits your experiment?

**Need Industrial/Bulk Grade?** [Request Custom Synthesis Quote](#)

## BenchChem

Our mission is to be the trusted global source of essential and advanced chemicals, empowering scientists and researchers to drive progress in science and industry.

### Contact

Address: 3281 E Guasti Rd  
Ontario, CA 91761, United States  
Phone: (601) 213-4426  
Email: [info@benchchem.com](mailto:info@benchchem.com)

[Contact our Ph.D. Support Team for a compatibility check](#)