

Anlotinib's Role in Blocking ERK and AKT Signaling Pathways: A Technical Guide

Author: BenchChem Technical Support Team. **Date:** December 2025

Compound of Interest

Compound Name: Anlotinib

Cat. No.: B1662124

[Get Quote](#)

For Researchers, Scientists, and Drug Development Professionals

Abstract

Anlotinib is a novel, orally administered multi-target tyrosine kinase inhibitor (TKI) that has demonstrated broad-spectrum anti-tumor activity. Its mechanism of action involves the simultaneous inhibition of several receptor tyrosine kinases (RTKs), including Vascular Endothelial Growth Factor Receptor (VEGFR), Fibroblast Growth Factor Receptor (FGFR), and Platelet-Derived Growth Factor Receptor (PDGFR), as well as the stem cell factor receptor (c-Kit).[1][2] This upstream blockade effectively disrupts key downstream signaling cascades, most notably the RAS/RAF/MEK/ERK (MAPK) and PI3K/AKT/mTOR pathways, which are critical for tumor cell proliferation, survival, angiogenesis, and metastasis.[1][3] This technical guide provides an in-depth analysis of **anlotinib**'s inhibitory effects on the ERK and AKT signaling pathways, supported by quantitative data, detailed experimental protocols, and visual representations of the molecular interactions.

Mechanism of Action: Dual Blockade of Pro-Survival Pathways

Anlotinib exerts its anti-cancer effects by binding to the ATP-binding pocket of multiple RTKs, thereby inhibiting their autophosphorylation and subsequent activation.[4] This action directly impacts the following critical signaling axes:

- VEGFR Inhibition: By targeting VEGFR-1, -2, and -3, **anlotinib** potently inhibits angiogenesis, the formation of new blood vessels essential for tumor growth and nutrient supply.[4][5] Downstream signaling from VEGFR, including the activation of the PI3K/AKT and MAPK/ERK pathways, is consequently suppressed.[1]
- PDGFR Inhibition: **Anlotinib**'s blockade of PDGFR- α and - β disrupts signaling related to tumor growth, angiogenesis, and metastasis.[2][3]
- FGFR Inhibition: Targeting FGFR1-3 allows **anlotinib** to interfere with pathways that promote cell proliferation, survival, and resistance to therapy.[1][4]

The concurrent inhibition of these RTKs leads to a significant reduction in the phosphorylation levels of key downstream effector proteins, ERK and AKT.[6][7] The inactivation of the ERK pathway leads to decreased cell proliferation and survival.[8][9] Similarly, the inhibition of the AKT pathway, a central regulator of cell survival and metabolism, promotes apoptosis.[9][10] This dual blockade of two major oncogenic signaling pathways underscores the potent and broad-spectrum anti-tumor activity of **anlotinib**.

Quantitative Data

The efficacy of **anlotinib** has been quantified in numerous preclinical studies. The following tables summarize key inhibitory concentrations (IC50) and other relevant metrics.

Table 1: In Vitro Kinase Inhibition Profile of **Anlotinib**

Kinase	IC50 (nmol/L, mean \pm SD)
VEGFR1	26.9
VEGFR2	0.2 \pm 0.1
VEGFR3	0.7
c-Kit	14.8
PDGFR β	115.0

Data sourced from preclinical studies.[11]

Table 2: **Anlotinib** IC50 Values in Various Cancer Cell Lines

Cell Line	Cancer Type	IC50 (μmol/L)	Treatment Duration
CT26	Colorectal Cancer	16.16	24 hours
CT26	Colorectal Cancer	11.73	48 hours
CT26	Colorectal Cancer	2.89	72 hours
Nalm6 (Ph-)	B-cell Acute Lymphoblastic Leukemia	3.224 ± 0.875	24 hours
SupB15 (Ph+)	B-cell Acute Lymphoblastic Leukemia	3.803 ± 0.409	24 hours
Nalm6 (Ph-)	B-cell Acute Lymphoblastic Leukemia	2.468 ± 0.378	48 hours
SupB15 (Ph+)	B-cell Acute Lymphoblastic Leukemia	2.459 ± 0.443	48 hours
TE-1	Esophageal Cancer	9.454	24 hours
KYSE30	Esophageal Squamous Cell Carcinoma	124.85	24 hours
KYSE30	Esophageal Squamous Cell Carcinoma	21.226	48 hours
KYSE30	Esophageal Squamous Cell Carcinoma	13.03	72 hours
HSC-3	Oral Squamous Cell Carcinoma	11.7307	24 hours
HSC-3	Oral Squamous Cell Carcinoma	6.6207	48 hours

HSC-3	Oral Squamous Cell Carcinoma	1.001	72 hours
-------	------------------------------	-------	----------

Data compiled from multiple in vitro studies.[\[3\]](#)[\[12\]](#)[\[13\]](#)[\[14\]](#)[\[15\]](#)

Table 3: Inhibition of Receptor Phosphorylation by **Anlotinib**

Receptor	Stimulating Ligand	Anlotinib Concentration	Inhibition Rate (p-Receptor/Total Receptor)
VEGFR2	VEGF	1 μ M	56.37%
PDGFR β	PDGF-BB	1 μ M	41.1%
FGFR1	FGF-2	1 μ M	45.0%

Results from a study on the anti-angiogenic effects of **anlotinib**.[\[16\]](#)

Experimental Protocols

The following is a detailed methodology for a key experiment used to demonstrate **anlotinib**'s effect on ERK and AKT signaling: Western Blot Analysis.

Western Blot Analysis for Phosphorylated and Total ERK and AKT

This protocol outlines the steps to measure the levels of phosphorylated (active) and total ERK and AKT in cancer cells following treatment with **anlotinib**.

3.1.1. Materials

- Cancer cell line of interest (e.g., CT26, HUVEC)
- Cell culture medium (e.g., DMEM, RPMI-1640) with fetal bovine serum (FBS) and antibiotics
- **Anlotinib** (stock solution in DMSO)

- Ice-cold Phosphate-Buffered Saline (PBS)
- RIPA Lysis Buffer supplemented with protease and phosphatase inhibitor cocktails
- BCA Protein Assay Kit
- Laemmli sample buffer
- SDS-PAGE gels
- PVDF membranes
- Tris-buffered saline with Tween-20 (TBST)
- Blocking buffer (e.g., 5% non-fat dry milk or BSA in TBST)
- Primary antibodies:
 - Rabbit anti-phospho-ERK1/2
 - Rabbit anti-ERK1/2
 - Rabbit anti-phospho-AKT
 - Rabbit anti-AKT
 - Mouse anti- β -actin (loading control)
- Secondary antibodies:
 - HRP-conjugated goat anti-rabbit IgG
 - HRP-conjugated goat anti-mouse IgG
- Enhanced chemiluminescence (ECL) detection kit
- Imaging system for chemiluminescence detection

3.1.2. Procedure

- Cell Culture and Treatment:
 - Culture cells to 70-80% confluency.
 - For experiments investigating ligand-stimulated phosphorylation, serum-starve the cells for 12-24 hours in a low-serum medium (e.g., 0.5% FBS).
 - Treat cells with varying concentrations of **anlotinib** or vehicle control (DMSO) for the desired time period (e.g., 24 hours). If applicable, stimulate with the appropriate ligand (e.g., VEGF, PDGF-BB, FGF-2) for a short period (e.g., 10-30 minutes) before harvesting.
- Protein Extraction:
 - Wash cells twice with ice-cold PBS.
 - Lyse the cells by adding ice-cold RIPA buffer with inhibitors.
 - Scrape the cells and transfer the lysate to a microcentrifuge tube.
 - Incubate on ice for 30 minutes, vortexing occasionally.
 - Centrifuge at 14,000 rpm for 20 minutes at 4°C.
 - Collect the supernatant containing the total protein.
- Protein Quantification:
 - Determine the protein concentration of each lysate using the BCA Protein Assay Kit according to the manufacturer's instructions.
- Sample Preparation and SDS-PAGE:
 - Normalize the protein concentrations of all samples with lysis buffer.
 - Mix a specific amount of protein (e.g., 20-40 µg) with Laemmli sample buffer.
 - Boil the samples at 95-100°C for 5-10 minutes.

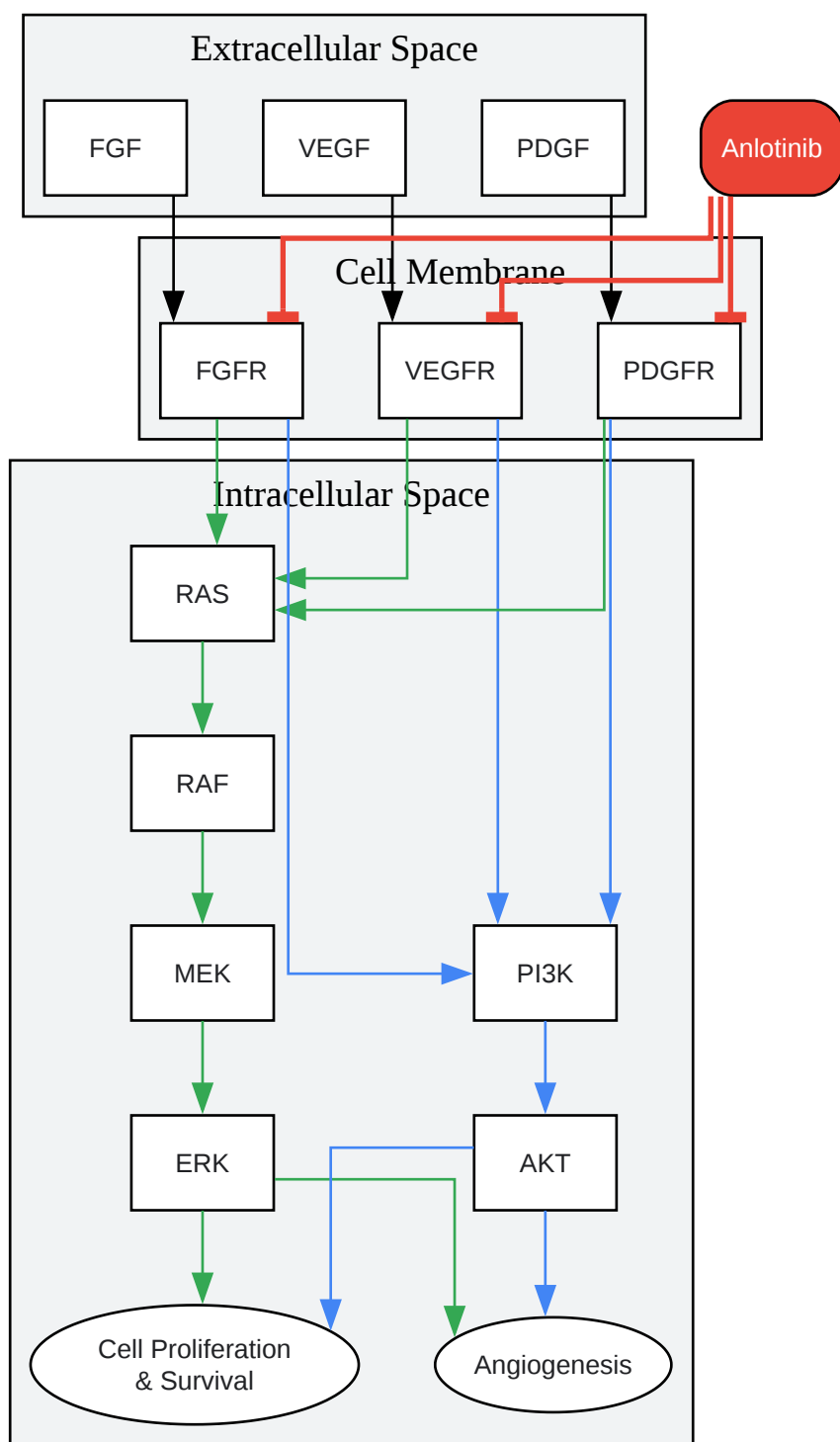
- Load the denatured protein samples onto an SDS-PAGE gel and run the electrophoresis until the dye front reaches the bottom.
- Protein Transfer:
 - Transfer the separated proteins from the gel to a PVDF membrane using a wet or semi-dry transfer system.
- Blocking:
 - Block the membrane with blocking buffer for 1 hour at room temperature with gentle agitation to prevent non-specific antibody binding.
- Primary Antibody Incubation:
 - Incubate the membrane with the primary antibody against the phosphorylated protein of interest (e.g., anti-phospho-ERK1/2 or anti-phospho-AKT) diluted in blocking buffer overnight at 4°C with gentle agitation.
- Secondary Antibody Incubation:
 - Wash the membrane three times with TBST for 10 minutes each.
 - Incubate the membrane with the appropriate HRP-conjugated secondary antibody diluted in blocking buffer for 1 hour at room temperature.
- Detection:
 - Wash the membrane three times with TBST for 10 minutes each.
 - Prepare the ECL substrate according to the manufacturer's instructions and incubate it with the membrane.
 - Capture the chemiluminescent signal using an imaging system.
- Stripping and Re-probing (for total protein):

- To detect the total protein levels, the membrane can be stripped of the bound antibodies. Incubate the membrane in a stripping buffer for 15-30 minutes at room temperature.[17]
- Wash the membrane extensively with TBST.
- Repeat the blocking step.
- Incubate the membrane with the primary antibody for the total protein (e.g., anti-ERK1/2 or anti-AKT).
- Repeat the secondary antibody incubation and detection steps.
- Finally, probe for a loading control like β -actin to ensure equal protein loading.
- Densitometry Analysis:
 - Quantify the band intensities for both the phosphorylated and total proteins using image analysis software (e.g., ImageJ).
 - Normalize the phosphorylated protein signal to the total protein signal for each sample.

Visualizing the Signaling Pathways and Experimental Workflow

The following diagrams, generated using the DOT language, illustrate the signaling pathways affected by **anlotinib** and the experimental workflow for Western blot analysis.

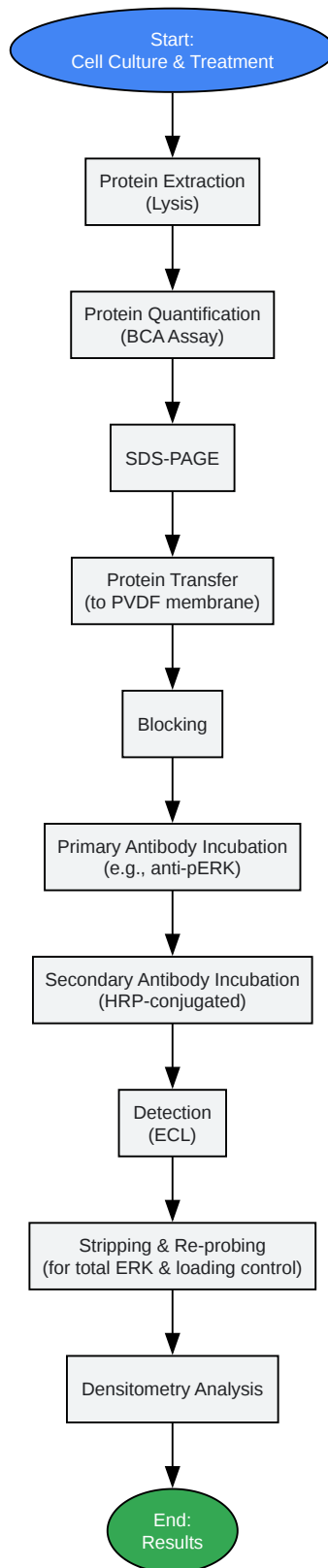
Anlotinib's Inhibition of the ERK and AKT Signaling Pathways



[Click to download full resolution via product page](#)

Anlotinib inhibits VEGFR, PDGFR, and FGFR, blocking downstream ERK and AKT pathways.

Experimental Workflow for Western Blot Analysis



[Click to download full resolution via product page](#)

Workflow for analyzing protein phosphorylation via Western blot.

Conclusion

Anlotinib's potent anti-tumor activity is fundamentally linked to its ability to simultaneously inhibit multiple RTKs, leading to a robust and dual blockade of the critical ERK and AKT signaling pathways. This multifaceted mechanism of action, supported by compelling preclinical quantitative data, positions **anlotinib** as a significant therapeutic agent in oncology. The detailed experimental protocols provided herein serve as a guide for researchers to further investigate and validate the molecular effects of **anlotinib** and other TKIs. The continued exploration of these pathways will be crucial for optimizing cancer therapies and overcoming mechanisms of drug resistance.

Need Custom Synthesis?

BenchChem offers custom synthesis for rare earth carbides and specific isotopic labeling.

Email: info@benchchem.com or [Request Quote Online](#).

References

- 1. researchgate.net [researchgate.net]
- 2. Anlotinib: a novel multi-targeting tyrosine kinase inhibitor in clinical development - PMC [pmc.ncbi.nlm.nih.gov]
- 3. Anlotinib Suppresses Colorectal Cancer Proliferation and Angiogenesis via Inhibition of AKT/ERK Signaling Cascade - PMC [pmc.ncbi.nlm.nih.gov]
- 4. Synergizing Success: The Role of Anlotinib Combinations in Advanced Non-Small Cell Lung Cancer Treatment - PMC [pmc.ncbi.nlm.nih.gov]
- 5. dovepress.com [dovepress.com]
- 6. researchgate.net [researchgate.net]
- 7. Research Progress on Mechanism and Management of Adverse Drug Reactions of Anlotinib - PMC [pmc.ncbi.nlm.nih.gov]
- 8. researchgate.net [researchgate.net]
- 9. Anlotinib induces hepatocellular carcinoma apoptosis and inhibits proliferation via Erk and Akt pathway - PubMed [pubmed.ncbi.nlm.nih.gov]
- 10. researchgate.net [researchgate.net]

- 11. Preclinical characterization of anlotinib, a highly potent and selective vascular endothelial growth factor receptor-2 inhibitor - PMC [pmc.ncbi.nlm.nih.gov]
- 12. Anlotinib exerts potent antileukemic activities in Ph chromosome negative and positive B-cell acute lymphoblastic leukemia via perturbation of PI3K/AKT/mTOR pathway - PMC [pmc.ncbi.nlm.nih.gov]
- 13. Anlotinib inhibits growth of human esophageal cancer TE-1 cells by negative regulating PI3K/Akt signaling pathway - PMC [pmc.ncbi.nlm.nih.gov]
- 14. researchgate.net [researchgate.net]
- 15. Anlotinib Suppresses Oral Squamous Cell Carcinoma Growth and Metastasis by Targeting the RAS Protein to Inhibit the PI3K/Akt Signalling Pathway - PMC [pmc.ncbi.nlm.nih.gov]
- 16. Inskaxh.com [Inskaxh.com]
- 17. benchchem.com [benchchem.com]
- To cite this document: BenchChem. [Anlotinib's Role in Blocking ERK and AKT Signaling Pathways: A Technical Guide]. BenchChem, [2025]. [Online PDF]. Available at: [https://www.benchchem.com/product/b1662124#anlotinib-s-role-in-blocking-erk-and-akt-signaling-pathways]

Disclaimer & Data Validity:

The information provided in this document is for Research Use Only (RUO) and is strictly not intended for diagnostic or therapeutic procedures. While BenchChem strives to provide accurate protocols, we make no warranties, express or implied, regarding the fitness of this product for every specific experimental setup.

Technical Support: The protocols provided are for reference purposes. Unsure if this reagent suits your experiment? [[Contact our Ph.D. Support Team for a compatibility check](#)]

Need Industrial/Bulk Grade? [Request Custom Synthesis Quote](#)

BenchChem

Our mission is to be the trusted global source of essential and advanced chemicals, empowering scientists and researchers to drive progress in science and industry.

Contact

Address: 3281 E Guasti Rd

Ontario, CA 91761, United States

Phone: (601) 213-4426

Email: info@benchchem.com