

CP-547632 hydrochloride solubility issues and solutions

Author: BenchChem Technical Support Team. **Date:** April 2026

Compound of Interest

Compound Name: CP-547632 hydrochloride

CAS No.: 252003-71-7

Cat. No.: B1649335

[Get Quote](#)

Technical Support Center: CP-547632 Hydrochloride

This technical support center provides researchers, scientists, and drug development professionals with a comprehensive guide to the solubility and handling of **CP-547632 hydrochloride**. Below you will find troubleshooting guides, frequently asked questions (FAQs), detailed experimental protocols, and visual aids to assist in your research.

Frequently Asked Questions (FAQs)

Q1: What is **CP-547632 hydrochloride** and what is its mechanism of action?

A1: **CP-547632 hydrochloride** is a potent, orally bioavailable, ATP-competitive inhibitor of Vascular Endothelial Growth Factor Receptor 2 (VEGFR-2) and Fibroblast Growth Factor Receptor 2 (FGFR-2) kinases.[1] It plays a critical role in angiogenesis, the formation of new blood vessels, by blocking the signaling pathways that lead to endothelial cell proliferation, migration, and survival.[2][3][4][5][6][7][8]

Q2: What are the primary downstream signaling pathways inhibited by **CP-547632 hydrochloride**?

A2: By inhibiting VEGFR-2 and FGFR-2, **CP-547632 hydrochloride** blocks several key downstream signaling cascades, including the MAPK/ERK, PI3K/Akt, and PLC γ pathways.^[2]^[3]^[4]^[5]^[6]^[7]^[8]^[9] These pathways are crucial for cell proliferation, survival, and migration.

Q3: In what solvents is **CP-547632 hydrochloride** soluble?

A3: **CP-547632 hydrochloride** is highly soluble in dimethyl sulfoxide (DMSO).^[10] It has very low solubility in water and aqueous buffers like phosphate-buffered saline (PBS).^[10] For in vivo studies, it can be formulated in a mixture of DMSO, PEG300, Tween 80, and saline.^[1]^[10]

Q4: My **CP-547632 hydrochloride**, dissolved in DMSO, is precipitating when I add it to my aqueous cell culture medium. What should I do?

A4: This is a common issue known as "crashing out," which occurs when a compound that is soluble in an organic solvent is rapidly introduced into an aqueous environment where its solubility is low.^[11]^[12]^[13] Refer to the Troubleshooting Guide below for detailed solutions.

Data Presentation: Solubility of CP-547632 Hydrochloride

Solvent/Formulation	Concentration	Observations
DMSO	≥ 33.33 mg/mL (~58.59 mM)	Clear solution. Warming and sonication may be required. [10]
Water	< 0.1 mg/mL	Insoluble.[10]
In Vivo Formulation 1	≥ 2.5 mg/mL (~4.39 mM)	Clear solution.[1][10]
10% DMSO		
40% PEG300		
5% Tween 80		
45% Saline		
In Vivo Formulation 2	≥ 2.5 mg/mL (~4.39 mM)	Clear solution.[1][10]
10% DMSO		
90% (20% SBE- β -CD in Saline)		
In Vivo Formulation 3	≥ 2.5 mg/mL (~4.39 mM)	Clear solution.[1][10]
10% DMSO		
90% Corn Oil		

Note: The in vivo formulations require sequential addition of solvents with thorough mixing after each addition.

Troubleshooting Guide: Solubility Issues

Issue: Precipitate forms when diluting DMSO stock solution in aqueous buffer (e.g., PBS, cell culture media).

Possible Cause	Solution
Rapid Dilution/Solvent Shock	Perform a stepwise or "reverse" dilution. Instead of adding the aqueous buffer to the DMSO stock, add the small volume of the DMSO stock dropwise to the full volume of the pre-warmed (37°C) aqueous buffer while gently vortexing. This ensures rapid dispersal of the DMSO and compound. [11] [12]
High Final Concentration	The final concentration of CP-547632 hydrochloride in the aqueous medium may exceed its solubility limit. Try lowering the final concentration if your experimental design allows. [13]
Low Final DMSO Concentration	While high concentrations of DMSO can be toxic to cells, a final concentration of 0.1% to 0.5% is often tolerated and can help maintain compound solubility. [12] Always include a vehicle control with the same final DMSO concentration in your experiments.
pH of the Aqueous Buffer	The solubility of some compounds is pH-dependent. Although specific data for CP-547632 hydrochloride is limited, you can empirically test the solubility in buffers with slightly different pH values (within a physiologically acceptable range for your cells). [14] [15] [16]
Use of Co-solvents or Solubility Enhancers	For challenging cases, consider using a co-solvent system (e.g., DMSO and polyethylene glycol) for the initial stock solution. Alternatively, cyclodextrins can be used in the aqueous medium to encapsulate the hydrophobic compound and increase its solubility. [12] [13] [17] [18]

Old or Hydrated DMSO

DMSO is hygroscopic and can absorb water from the atmosphere, which reduces its solvating power for hydrophobic compounds. Use anhydrous DMSO and store it in small, tightly sealed aliquots to minimize exposure to moisture.[11]

Experimental Protocols

Protocol 1: Preparation of CP-547632 Hydrochloride Stock Solution

- Materials:
 - **CP-547632 hydrochloride** powder
 - Anhydrous Dimethyl Sulfoxide (DMSO)
 - Sterile, amber microcentrifuge tubes
 - Vortex mixer
 - Sonicator (optional)
- Procedure:
 1. Bring the vial of **CP-547632 hydrochloride** powder to room temperature before opening to prevent condensation.
 2. Calculate the volume of DMSO required to achieve the desired stock concentration (e.g., 10 mM).
 3. Add the calculated volume of anhydrous DMSO to the vial of **CP-547632 hydrochloride**.
 4. Vortex the solution for several minutes until the powder is completely dissolved. A brief sonication in a water bath may be used to aid dissolution.
 5. Visually inspect the solution to ensure there are no visible particles.

6. Aliquot the stock solution into smaller, single-use volumes in sterile, amber microcentrifuge tubes to avoid repeated freeze-thaw cycles and light exposure.

7. Store the aliquots at -20°C or -80°C for long-term storage.

Protocol 2: Cell Proliferation Assay (MTS/MTT)

This protocol provides a general framework for assessing the effect of **CP-547632 hydrochloride** on the proliferation of endothelial cells (e.g., HUVECs).

- Materials:
 - Human Umbilical Vein Endothelial Cells (HUVECs) or other suitable endothelial cell line
 - Complete endothelial cell growth medium
 - Serum-free or low-serum basal medium
 - **CP-547632 hydrochloride** stock solution (in DMSO)
 - Recombinant human VEGF-A
 - 96-well clear-bottom, black-walled tissue culture plates
 - MTS or MTT cell proliferation assay kit
 - Microplate reader
- Procedure:
 1. Cell Seeding:
 - Trypsinize and count the HUVECs.
 - Seed the cells into a 96-well plate at a density of 5,000-10,000 cells per well in 100 µL of complete growth medium.
 - Incubate the plate overnight at 37°C in a humidified 5% CO₂ incubator to allow for cell attachment.

2. Compound Treatment:

- The next day, gently aspirate the complete growth medium.
- Wash the cells once with serum-free or low-serum basal medium.
- Add 90 μL of low-serum basal medium to each well.
- Prepare serial dilutions of **CP-547632 hydrochloride** in low-serum basal medium from your DMSO stock solution. Ensure the final DMSO concentration in all wells, including the vehicle control, is consistent and non-toxic (typically $\leq 0.5\%$).
- Add 10 μL of the diluted **CP-547632 hydrochloride** or vehicle control (DMSO in medium) to the respective wells.
- Pre-incubate the cells with the compound for 1-2 hours at 37°C.

3. Cell Stimulation:

- Prepare a solution of VEGF-A in low-serum basal medium.
- Add 10 μL of the VEGF-A solution to each well to achieve a final concentration that induces robust proliferation (e.g., 20-50 ng/mL). Add 10 μL of medium without VEGF-A to the "no stimulation" control wells.

4. Incubation:

- Incubate the plate for 48-72 hours at 37°C in a humidified 5% CO₂ incubator.

5. Cell Viability Measurement:

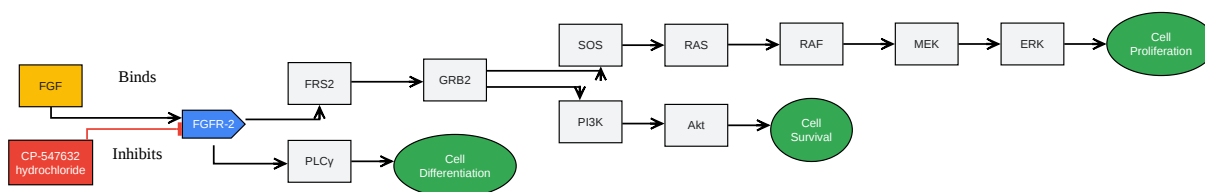
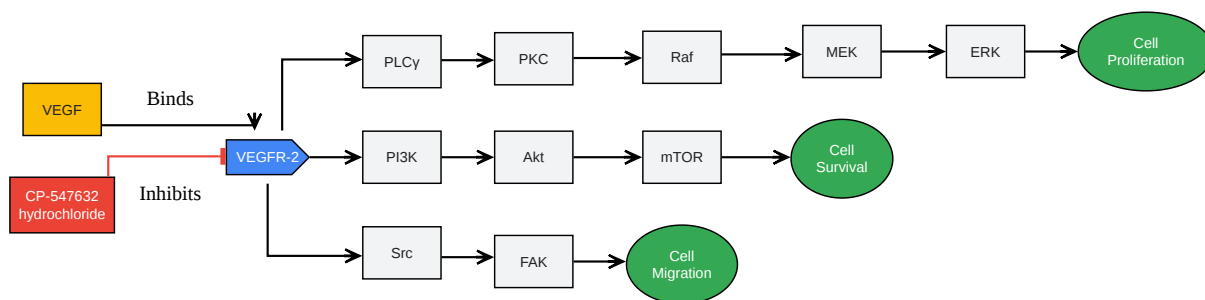
- At the end of the incubation period, add the MTS or MTT reagent to each well according to the manufacturer's instructions.
- Incubate for the recommended time (typically 1-4 hours) at 37°C.
- Measure the absorbance at the appropriate wavelength using a microplate reader.[\[19\]](#)
[\[20\]](#)[\[21\]](#)[\[22\]](#)

6. Data Analysis:

- Subtract the background absorbance (media only).
- Normalize the data to the vehicle-treated, VEGF-stimulated control (considered 100% proliferation).
- Plot the percentage of proliferation against the logarithm of the **CP-547632 hydrochloride** concentration.
- Calculate the IC_{50} value using a non-linear regression analysis.

Signaling Pathway Diagrams

Below are simplified diagrams of the VEGFR-2 and FGFR-2 signaling pathways, which are inhibited by **CP-547632 hydrochloride**.



[Click to download full resolution via product page](#)

Need Custom Synthesis?

BenchChem offers custom synthesis for rare earth carbides and specific isotopic labeling.

Email: info@benchchem.com or [Request Quote Online](#).

References

- 1. [CP-547632 hydrochloride \(PAN-90806\) | VEGFR inhibitor | CAS 252003-71-7 | Buy CP-547632 hydrochloride \(PAN-90806\) from Supplier InvivoChem \[invivochem.com\]](#)
- 2. [researchgate.net \[researchgate.net\]](#)
- 3. [researchgate.net \[researchgate.net\]](#)

- [4. researchgate.net \[researchgate.net\]](#)
- [5. commerce.bio-rad.com \[commerce.bio-rad.com\]](#)
- [6. Molecular Bases of VEGFR-2-Mediated Physiological Function and Pathological Role - PMC \[pmc.ncbi.nlm.nih.gov\]](#)
- [7. assaygenie.com \[assaygenie.com\]](#)
- [8. The Fibroblast Growth Factor signaling pathway - PMC \[pmc.ncbi.nlm.nih.gov\]](#)
- [9. researchgate.net \[researchgate.net\]](#)
- [10. file.medchemexpress.com \[file.medchemexpress.com\]](#)
- [11. benchchem.com \[benchchem.com\]](#)
- [12. benchchem.com \[benchchem.com\]](#)
- [13. benchchem.com \[benchchem.com\]](#)
- [14. Cocrystals Mitigate Negative Effects of High pH on Solubility and Dissolution of a Basic Drug - PMC \[pmc.ncbi.nlm.nih.gov\]](#)
- [15. Impact of Gastric pH Variations on the Release of Amorphous Solid Dispersion Formulations Containing a Weakly Basic Drug and Enteric Polymers - PMC \[pmc.ncbi.nlm.nih.gov\]](#)
- [16. deepblue.lib.umich.edu \[deepblue.lib.umich.edu\]](#)
- [17. researchgate.net \[researchgate.net\]](#)
- [18. researchgate.net \[researchgate.net\]](#)
- [19. Cell Viability Assays - Assay Guidance Manual - NCBI Bookshelf \[ncbi.nlm.nih.gov\]](#)
- [20. Cell Proliferation and Cytotoxicity Assays, The Fundamentals for Drug Discovery \[sciltp.com\]](#)
- [21. Leukocyte Proliferation Assay \(Immunostimulation\) - National Cancer Institute's Nanotechnology Characterization Laboratory Assay Cascade Protocols - NCBI Bookshelf \[ncbi.nlm.nih.gov\]](#)
- [22. cdn.thewellbio.com \[cdn.thewellbio.com\]](#)
- To cite this document: BenchChem. [CP-547632 hydrochloride solubility issues and solutions]. BenchChem, [2026]. [Online PDF]. Available at: [\[https://www.benchchem.com/product/b1649335/docs#cp-547632-hydrochloride-solubility-issues-and-solutions\]](https://www.benchchem.com/product/b1649335/docs#cp-547632-hydrochloride-solubility-issues-and-solutions)

Disclaimer & Data Validity:

The information provided in this document is for Research Use Only (RUO) and is strictly not intended for diagnostic or therapeutic procedures. While BenchChem strives to provide accurate protocols, we make no warranties, express or implied, regarding the fitness of this product for every specific experimental setup.

Technical Support: The protocols provided are for reference purposes. Unsure if this reagent suits your experiment?

Need Industrial/Bulk Grade? [Request Custom Synthesis Quote](#)

BenchChem

Our mission is to be the trusted global source of essential and advanced chemicals, empowering scientists and researchers to drive progress in science and industry.

Contact

Address: 3281 E Guasti Rd
Ontario, CA 91761, United States
Phone: (601) 213-4426
Email: info@benchchem.com

[Contact our Ph.D. Support Team for a compatibility check](#)