

The Role of SAHM1 in Inhibiting Notch Complex Assembly: A Technical Guide

Author: BenchChem Technical Support Team. **Date:** April 2026

Compound of Interest

Compound Name: SAHM1
Cat. No.: B15623454

[Get Quote](#)

For Researchers, Scientists, and Drug Development Professionals

Abstract

The Notch signaling pathway is a critical regulator of cell fate decisions, and its aberrant activation is implicated in a variety of diseases, including T-cell acute lymphoblastic leukemia (T-ALL). A key event in Notch signaling is the formation of a nuclear transcriptional activation complex. This guide provides an in-depth technical overview of **SAHM1**, a stabilized alpha-helical peptide derived from Mastermind-like 1 (MAML1), which acts as a potent inhibitor of this complex. We will delve into the mechanism of action of **SAHM1**, present quantitative data on its inhibitory activity, provide detailed experimental protocols for its characterization, and visualize the key pathways and experimental workflows.

Introduction to Notch Signaling and the Target for Inhibition

The canonical Notch signaling pathway is initiated by ligand binding to a Notch receptor, leading to a series of proteolytic cleavages that release the Notch intracellular domain (NICD). [1][2] NICD then translocates to the nucleus, where it forms a ternary complex with the DNA-

binding protein CSL (CBF1/Su(H)/Lag-1) and a co-activator of the Mastermind-like (MAML) family.[1][2] This complex recruits other co-activators to drive the transcription of Notch target genes, which regulate cell proliferation, differentiation, and survival.

The protein-protein interface between NICD, CSL, and MAML1 is a critical node for the assembly and function of the Notch transcriptional activation complex. Disrupting this interface presents a promising therapeutic strategy for diseases driven by aberrant Notch signaling.

SAHM1 was designed as a hydrocarbon-stapled peptide that mimics the MAML1 helix responsible for binding to the NICD-CSL complex, thereby acting as a competitive inhibitor.[1][3]

Mechanism of Action of SAHM1

SAHM1 is a stabilized alpha-helical peptide that directly targets the protein-protein interface of the Notch transactivation complex.[3][4] By mimicking the binding domain of MAML1, **SAHM1** competitively inhibits the recruitment of endogenous MAML1 to the NICD-CSL complex.[1][2] This prevents the assembly of a functional transcriptional activation complex, leading to the repression of Notch target gene expression.[1][5] This direct inhibition of the Notch transcriptional program underlies the anti-proliferative effects of **SAHM1** observed in cancer cells.[3][6]

Quantitative Data on SAHM1 Inhibition

The inhibitory potency of **SAHM1** has been quantified using various biophysical and cell-based assays. The following tables summarize the key quantitative data.

Parameter	Value	Assay Method	Reference
IC50	6.5 ± 1.6 μM	Luciferase Reporter Assay	[1][5]
Kd (apparent)	Matches fluorescence polarization value	Surface Plasmon Resonance (SPR)	[1]
Competition IC50 (dnMAML1)	3.9 ± 0.9 μM	Fluorescence Polarization	[1]

Experimental Protocols

Co-Immunoprecipitation (Co-IP) to Demonstrate Competitive Inhibition

This protocol is designed to demonstrate that **SAHM1** can disrupt the interaction between the Notch intracellular domain (ICN1) and MAML1 in a cellular context.

Materials:

- KOPT-K1 human T-ALL cells (or other suitable cell line with activated Notch signaling)
- Cell lysis buffer (e.g., RIPA buffer with protease and phosphatase inhibitors)
- Antibody against MAML1 for immunoprecipitation
- Antibody against ICN1 for western blotting
- Protein A/G agarose or magnetic beads
- **SAHM1** and a negative control peptide (e.g., **SAHM1-D1**)
- SDS-PAGE gels and western blotting reagents

Procedure:

- Cell Culture and Treatment: Culture KOPT-K1 cells to the desired density. Treat cells with increasing concentrations of **SAHM1** or the control peptide for a specified time (e.g., 24 hours).
- Cell Lysis: Harvest cells and lyse them on ice using a non-denaturing lysis buffer to preserve protein-protein interactions.
- Pre-clearing: Centrifuge the lysates to pellet cell debris. Pre-clear the supernatant by incubating with protein A/G beads to reduce non-specific binding.
- Immunoprecipitation: Incubate the pre-cleared lysates with an anti-MAML1 antibody overnight at 4°C with gentle rotation.

- Immune Complex Capture: Add protein A/G beads to the lysate-antibody mixture and incubate for 1-2 hours at 4°C to capture the immune complexes.
- Washing: Pellet the beads by centrifugation and wash them several times with cold lysis buffer to remove non-specifically bound proteins.
- Elution: Elute the bound proteins from the beads by boiling in SDS-PAGE sample buffer.
- Western Blotting: Separate the eluted proteins by SDS-PAGE, transfer to a PVDF membrane, and probe with an anti-ICN1 antibody to detect the amount of ICN1 that was co-immunoprecipitated with MAML1. A decrease in the ICN1 signal with increasing **SAHM1** concentration indicates competitive inhibition.

Luciferase Reporter Assay for Notch Inhibition

This assay quantitatively measures the ability of **SAHM1** to inhibit Notch-driven gene transcription.

Materials:

- HEK293 cells (or other suitable reporter cell line)
- A luciferase reporter plasmid containing a Notch-responsive promoter (e.g., CSL-luciferase)
- A plasmid expressing a constitutively active form of Notch1 (ICN1)
- A control plasmid for normalization (e.g., Renilla luciferase)
- Transfection reagent
- **SAHM1** and control peptides
- Luciferase assay reagent

Procedure:

- Cell Seeding: Seed HEK293 cells in a 96-well plate.

- **Transfection:** Co-transfect the cells with the CSL-luciferase reporter plasmid, the ICN1 expression plasmid, and the Renilla luciferase control plasmid.
- **Treatment:** After transfection, treat the cells with a serial dilution of **SAHM1** or a control peptide.
- **Incubation:** Incubate the cells for 24-48 hours.
- **Lysis and Luciferase Assay:** Lyse the cells and measure both firefly and Renilla luciferase activities using a dual-luciferase reporter assay system.
- **Data Analysis:** Normalize the firefly luciferase activity to the Renilla luciferase activity for each well. Plot the normalized luciferase activity against the logarithm of the **SAHM1** concentration and fit the data to a dose-response curve to determine the IC50 value.^{[1][5]}

Surface Plasmon Resonance (SPR) for Binding Kinetics

SPR is used to measure the binding affinity and kinetics of **SAHM1** to the pre-formed NICD-CSL complex in real-time.

Materials:

- SPR instrument and sensor chips (e.g., streptavidin-coated)
- Biotinylated **SAHM1** (bio**SAHM1**)
- Purified recombinant RAMANK (the CSL-binding domain of ICN1) and CSL proteins
- SPR running buffer

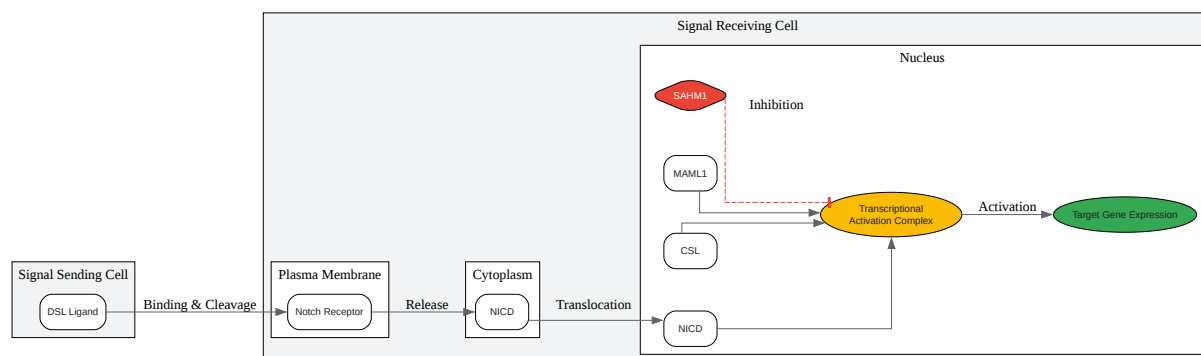
Procedure:

- **Immobilization:** Immobilize bio**SAHM1** onto a streptavidin-coated sensor chip surface.
- **Complex Formation:** Pre-incubate equimolar concentrations of RAMANK and CSL to form the binary complex.

- Binding Analysis: Inject increasing concentrations of the pre-formed RAMANK-CSL complex over the sensor chip surface containing the immobilized bioSAHM1.
- Data Acquisition: Monitor the change in the SPR signal (response units, RU) over time to generate sensorgrams for association and dissociation phases.
- Data Analysis: Fit the sensorgram data to a suitable binding model (e.g., a two-step association model) to determine the association rate constant (k_{on}), dissociation rate constant (k_{off}), and the equilibrium dissociation constant (K_d).^[1]

Visualizations

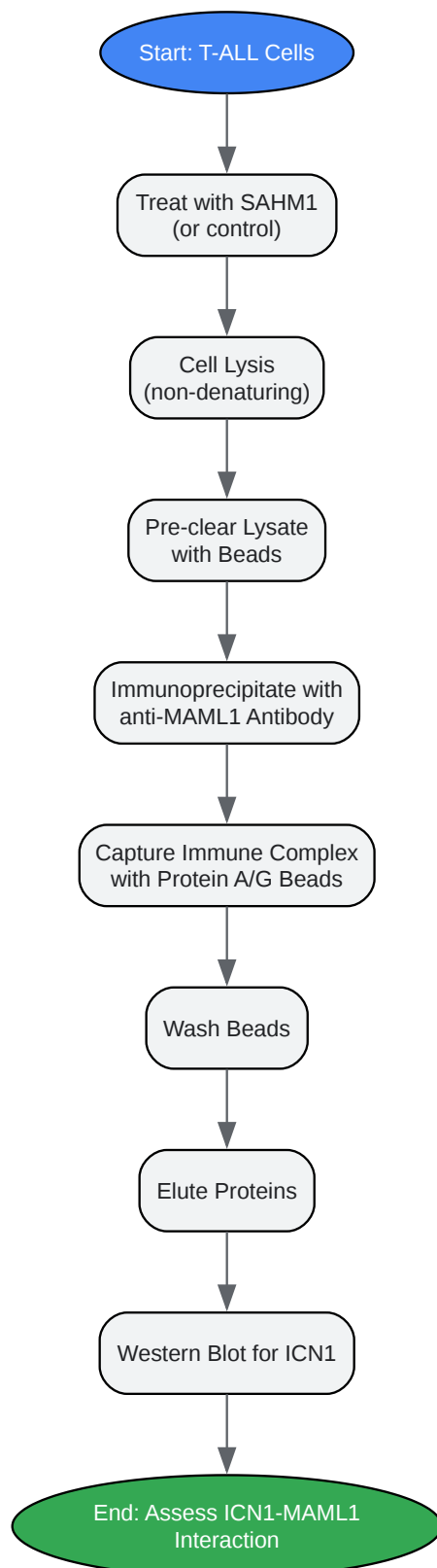
Signaling Pathway Diagram



[Click to download full resolution via product page](#)

Caption: Canonical Notch signaling pathway and the inhibitory action of **SAHM1**.

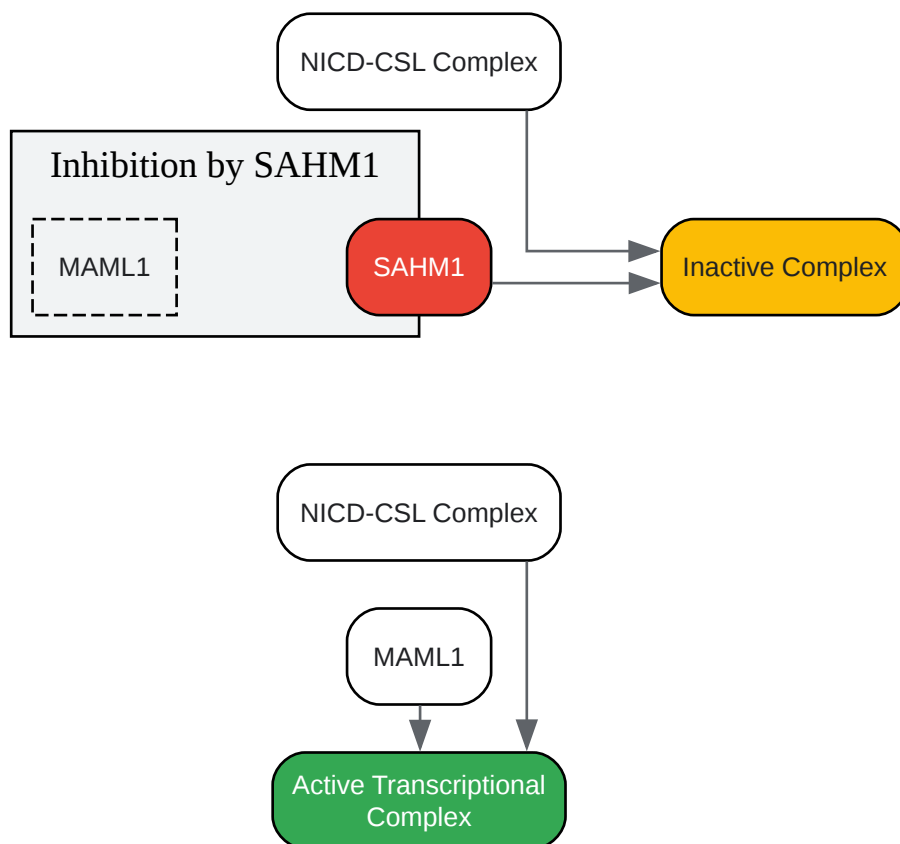
Experimental Workflow: Co-Immunoprecipitation



[Click to download full resolution via product page](#)

Caption: Workflow for Co-IP to test **SAHM1**'s effect on protein interaction.

Logical Relationship: **SAHM1**'s Inhibition Mechanism



[Click to download full resolution via product page](#)

Caption: Logical diagram of **SAHM1**'s competitive inhibition mechanism.

Conclusion

SAHM1 represents a significant advancement in the targeted inhibition of transcription factor complexes. Its ability to directly and potently disrupt the assembly of the Notch transcriptional activation complex provides a powerful tool for both basic research and as a potential therapeutic agent. The data and protocols presented in this guide offer a comprehensive resource for researchers seeking to understand and utilize **SAHM1** in their studies of Notch signaling and its role in disease.

Need Custom Synthesis?

BenchChem offers custom synthesis for rare earth carbides and specific isotopic labeling.

Email: info@benchchem.com or [Request Quote Online](#).

References

- 1. Direct inhibition of the NOTCH transcription factor complex - PMC [[pmc.ncbi.nlm.nih.gov](https://pubmed.ncbi.nlm.nih.gov/)]
- 2. The Notch pathway inhibitor stapled α -helical peptide derived from mastermind-like 1 (SAHM1) abrogates the hallmarks of allergic asthma - PMC [[pmc.ncbi.nlm.nih.gov](https://pubmed.ncbi.nlm.nih.gov/)]
- 3. Direct inhibition of the NOTCH transcription factor complex - PubMed [pubmed.ncbi.nlm.nih.gov]
- 4. SAHM1 | Other Notch Signaling | Tocris Bioscience [[tocris.com](https://www.tocris.com/)]
- 5. [researchgate.net](https://www.researchgate.net/) [[researchgate.net](https://www.researchgate.net/)]
- 6. [researchgate.net](https://www.researchgate.net/) [[researchgate.net](https://www.researchgate.net/)]
- To cite this document: BenchChem. [The Role of SAHM1 in Inhibiting Notch Complex Assembly: A Technical Guide]. BenchChem, [2026]. [Online PDF]. Available at: [<https://www.benchchem.com/product/b15623454/docs#the-role-of-sahm1-in-inhibiting-notch-complex-assembly-a-technical-guide>]

Disclaimer & Data Validity:

The information provided in this document is for Research Use Only (RUO) and is strictly not intended for diagnostic or therapeutic procedures. While BenchChem strives to provide accurate protocols, we make no warranties, express or implied, regarding the fitness of this product for every specific experimental setup.

Technical Support: The protocols provided are for reference purposes. Unsure if this reagent suits your experiment?

Need Industrial/Bulk Grade? [Request Custom Synthesis Quote](#)

BenchChem

Our mission is to be the trusted global source of essential and advanced chemicals, empowering scientists and researchers to drive progress in science and industry.

Contact

Address: 3281 E Guasti Rd

Ontario, CA 91761, United States

Phone: (601) 213-4426

Email: info@benchchem.com

[Contact our Ph.D. Support Team for a compatibility check](#)