

Application Notes and Protocols: OICR-41103

NanoBRET Assay

Author: BenchChem Technical Support Team. **Date:** April 2026

Compound of Interest

Compound Name: OICR-41103

Cat. No.: B15621836

[Get Quote](#)

For Researchers, Scientists, and Drug Development Professionals

Introduction

OICR-41103 is a potent and selective chemical probe for DCAF1 (DDB1-Cul4 associated factor 1), a substrate receptor for the CRL4 E3 ubiquitin ligase.[1][2][3] DCAF1 is implicated in various cellular processes, including cell cycle regulation and protein degradation, and is a target of interest in oncology and antiviral therapies.[2][3] The NanoBRET™ (Bioluminescence Resonance Energy Transfer) assay is a proximity-based method used to measure the engagement of a target protein by a small molecule within living cells.[4][5][6] This document provides a detailed protocol for a NanoBRET™ target engagement assay to characterize the interaction of **OICR-41103** with the WD40 domain of DCAF1.

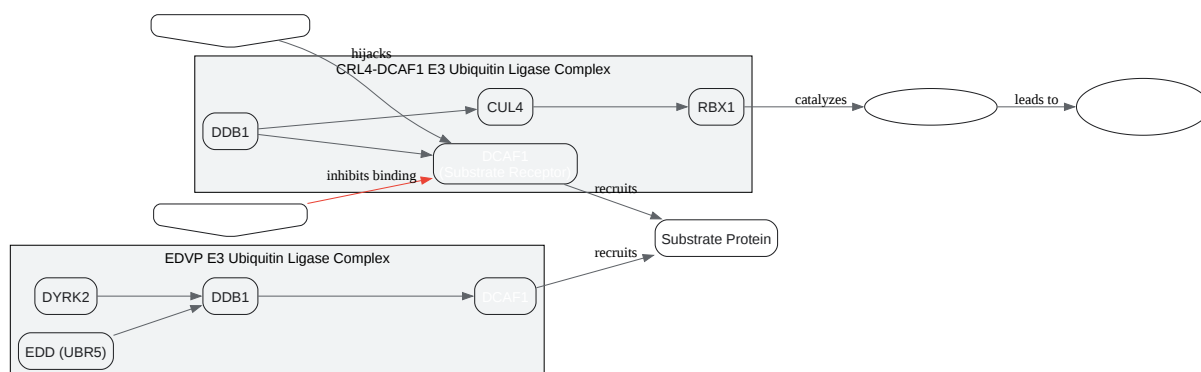
Principle of the Assay

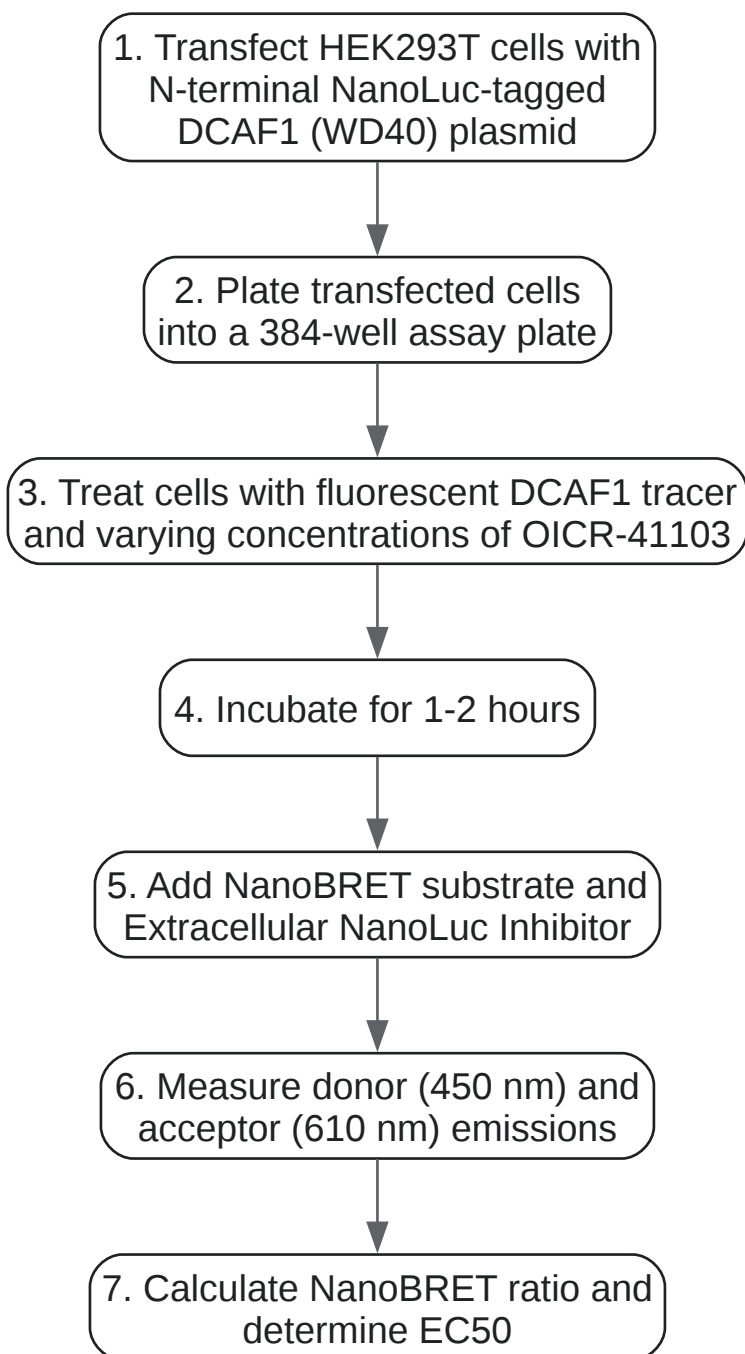
The NanoBRET™ Target Engagement assay for **OICR-41103** works on the principle of competitive displacement.[6][7] The target protein, DCAF1 (specifically its WD40 domain), is fused to NanoLuc® (NLuc) luciferase, a bright energy donor.[8] A fluorescently labeled tracer molecule that binds to the DCAF1 WD40 domain acts as the energy acceptor. When the tracer is bound to the NLuc-DCAF1 fusion protein, their close proximity allows for energy transfer

from the NLuc donor to the fluorescent acceptor upon addition of the NLuc substrate, generating a BRET signal.[4][5][9] When an unlabeled compound like **OICR-41103** is introduced, it competes with the tracer for binding to DCAF1.[6] This displacement of the tracer leads to a decrease in the BRET signal in a dose-dependent manner, which can be used to determine the potency of the test compound.[8]

Signaling Pathway and Experimental Workflow

The following diagrams illustrate the DCAF1 signaling pathway and the experimental workflow of the **OICR-41103** NanoBRET assay.





[Click to download full resolution via product page](#)

Need Custom Synthesis?

BenchChem offers custom synthesis for rare earth carbides and specific isotopic labeling.

Email: info@benchchem.com or [Request Quote Online](#).

References

- 1. DCAF1-based PROTACs with activity against clinically validated targets overcoming intrinsic- and acquired-degrader resistance - PMC [[pmc.ncbi.nlm.nih.gov](https://pubmed.ncbi.nlm.nih.gov/)]
- 2. eubopen.org [eubopen.org]
- 3. [researchgate.net](https://www.researchgate.net/) [[researchgate.net](https://www.researchgate.net/)]
- 4. [researchgate.net](https://www.researchgate.net/) [[researchgate.net](https://www.researchgate.net/)]
- 5. Discovery of a Novel DCAF1 Ligand Using a Drug–Target Interaction Prediction Model: Generalizing Machine Learning to New Drug Targets - PMC [[pmc.ncbi.nlm.nih.gov](https://pubmed.ncbi.nlm.nih.gov/)]
- 6. VprBP/DCAF1 Regulates the Degradation and Nonproteolytic Activation of the Cell Cycle Transcription Factor FoxM1 - PMC [[pmc.ncbi.nlm.nih.gov](https://pubmed.ncbi.nlm.nih.gov/)]
- 7. [biorxiv.org](https://www.biorxiv.org/) [[biorxiv.org](https://www.biorxiv.org/)]
- 8. Protocol for measuring BRAF autoinhibition in live cells using a proximity-based NanoBRET assay - PMC [[pmc.ncbi.nlm.nih.gov](https://pubmed.ncbi.nlm.nih.gov/)]
- 9. [researchgate.net](https://www.researchgate.net/) [[researchgate.net](https://www.researchgate.net/)]
- To cite this document: BenchChem. [Application Notes and Protocols: OICR-41103 NanoBRET Assay]. BenchChem, [2026]. [Online PDF]. Available at: [<https://www.benchchem.com/product/b15621836/docs#application-notes-and-protocols-oicr-41103-nanobret-assay>]

Disclaimer & Data Validity:

The information provided in this document is for Research Use Only (RUO) and is strictly not intended for diagnostic or therapeutic procedures. While BenchChem strives to provide accurate protocols, we make no warranties, express or implied, regarding the fitness of this product for every specific experimental setup.

Technical Support: The protocols provided are for reference purposes. Unsure if this reagent suits your experiment?

Need Industrial/Bulk Grade? [Request Custom Synthesis Quote](#)

BenchChem

Our mission is to be the trusted global source of essential and advanced chemicals, empowering scientists and researchers to drive progress in science and industry.

Contact

Address: 3281 E Guasti Rd
Ontario, CA 91761, United States
Phone: (601) 213-4426
Email: info@benchchem.com

[Contact our Ph.D. Support Team for a compatibility check](#)