

# RO27-3225 in Preclinical Models of Neurological Disorders: A Technical Guide

**Author:** BenchChem Technical Support Team. **Date:** April 2026

## Compound of Interest

Compound Name: RO27-3225

Cat. No.: B15620705

[Get Quote](#)

For Researchers, Scientists, and Drug Development Professionals

## Executive Summary

**RO27-3225** is a potent and selective non-peptide agonist for the melanocortin 4 receptor (MC4R). Emerging preclinical research has highlighted its significant neuroprotective and anti-inflammatory properties, particularly in acute neurological injury models such as ischemic stroke and intracerebral hemorrhage. This technical guide provides a comprehensive overview of the current state of research on **RO27-3225** in the context of neurological disorders. It details the compound's mechanism of action, summarizes key quantitative findings from preclinical studies, outlines experimental protocols, and visualizes the involved signaling pathways. This document is intended to serve as a valuable resource for researchers and drug development professionals interested in the therapeutic potential of targeting the MC4R pathway for the treatment of neurological diseases.

## Introduction to RO27-3225

**RO27-3225** is a small molecule agonist with high selectivity for the melanocortin 4 receptor (MC4R), a G protein-coupled receptor predominantly expressed in the central nervous system. The melanocortin system is known to play a crucial role in regulating energy homeostasis,

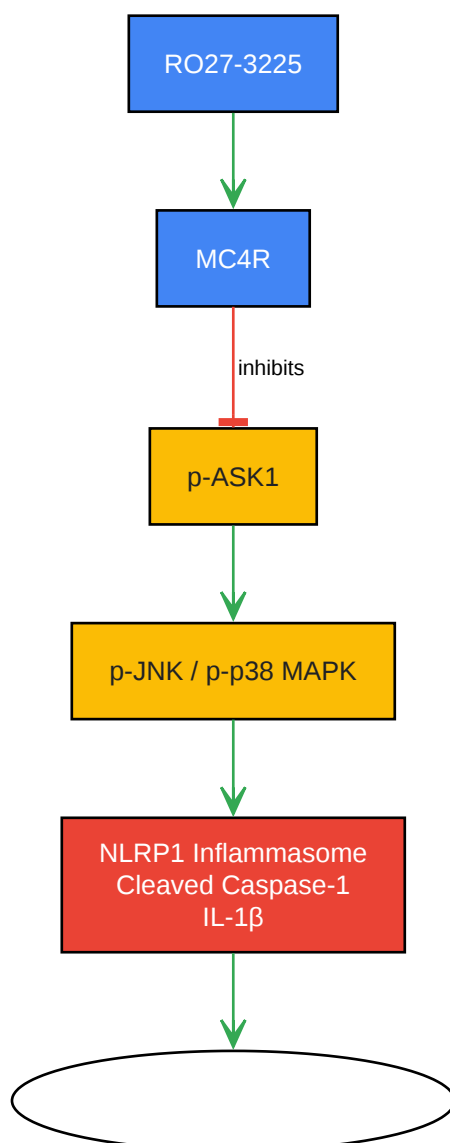
inflammation, and neuroprotection. By activating MC4R, **RO27-3225** has been shown to exert potent anti-inflammatory and neuroprotective effects in animal models of acute brain injury.

## Mechanism of Action and Signaling Pathways

**RO27-3225** exerts its neuroprotective effects through the activation of MC4R, which in turn modulates downstream signaling cascades to mitigate neuroinflammation and neuronal death. Two key pathways have been identified in the context of intracerebral hemorrhage (ICH).

### Inhibition of the ASK1/JNK/p38 MAPK Pathway

In a mouse model of ICH, **RO27-3225** has been shown to suppress neuronal pyroptosis, a form of programmed cell death, by inhibiting the Apoptosis Signal-regulating Kinase 1 (ASK1)/c-Jun N-terminal Kinase (JNK)/p38 Mitogen-Activated Protein Kinase (MAPK) signaling pathway.<sup>[1]</sup> Activation of MC4R by **RO27-3225** leads to a reduction in the phosphorylation of ASK1, JNK, and p38 MAPK.<sup>[1]</sup> This, in turn, downregulates the expression of the NLRP1 inflammasome, cleaved caspase-1, and interleukin-1 $\beta$  (IL-1 $\beta$ ), key mediators of pyroptosis.<sup>[1]</sup>

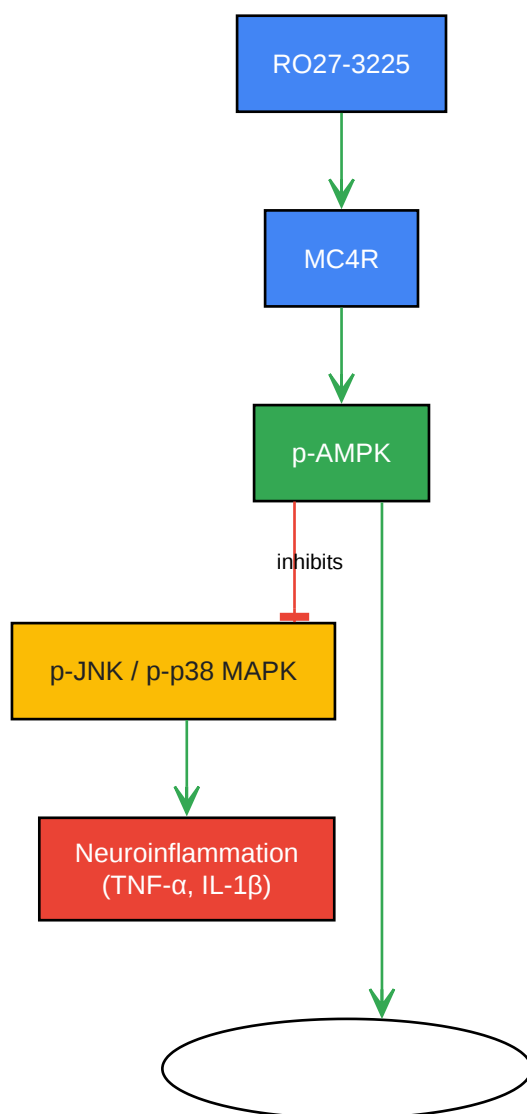


[Click to download full resolution via product page](#)

**Figure 1:** RO27-3225 inhibits the ASK1/JNK/p38 MAPK pathway.

## Activation of the AMPK/JNK/p38 MAPK Pathway

Another crucial mechanism involves the activation of AMP-activated protein kinase (AMPK).[2] Treatment with **RO27-3225** in an ICH model leads to an increase in the phosphorylation of AMPK.[2] Activated AMPK then acts to inhibit the JNK and p38 MAPK signaling pathways, resulting in a downstream reduction of pro-inflammatory cytokines such as TNF- $\alpha$  and IL-1 $\beta$ . [2] This pathway highlights the role of **RO27-3225** in attenuating neuroinflammation.[2]



[Click to download full resolution via product page](#)

**Figure 2:** RO27-3225 activates the AMPK pathway to reduce inflammation.

## Efficacy in Neurological Disorder Models

The primary evidence for the therapeutic potential of **RO27-3225** comes from preclinical studies in rodent models of acute brain injury.

### Intracerebral Hemorrhage (ICH)

In a mouse model of collagenase-induced ICH, administration of **RO27-3225** has been shown to significantly improve neurological outcomes. The optimal dose was identified as 180 µg/kg,

which led to reduced neurobehavioral deficits at 24 and 72 hours post-ICH.[1] The treatment also decreased neuronal pyroptosis and reduced the expression of key inflammatory and pyroptotic markers.[1] Furthermore, **RO27-3225** attenuated neuroinflammation by suppressing microglia/macrophage activation and neutrophil infiltration, and reduced brain edema.[2]

Model	Species	Dosage	Key Findings	Reference
Collagenase-induced ICH	Mouse (CD1)	60, 180, 540 $\mu\text{g}/\text{kg}$ (i.p.)	180 $\mu\text{g}/\text{kg}$ dose significantly improved neurobehavioral scores (forelimb placement, corner turn, modified Garcia tests). Reduced neuronal pyroptosis. Decreased expression of p-ASK1, p-JNK, p-p38 MAPK, NLRP1, cleaved caspase-1, and IL-1 $\beta$ .	[1]
Collagenase-induced ICH	Mouse (CD1)	180 $\mu\text{g}/\text{kg}$ (i.p.)	Improved neurobehavioral function and decreased brain edema. Suppressed microglia/macrophage activation and neutrophil infiltration. Increased expression of p-AMPK and decreased p-JNK, p-p38 MAPK, TNF- $\alpha$ , and IL-1 $\beta$ .	[2]

## Cerebral Infarction (Ischemic Stroke)

Data on the effects of **RO27-3225** in models of cerebral infarction is also emerging. Studies are investigating its potential to reduce infarct volume, brain edema, and neurological deficits in models such as transient middle cerebral artery occlusion (tMCAO). The proposed mechanisms in this context also revolve around the anti-inflammatory and neuroprotective properties of the compound.

Model	Species	Dosage	Key Findings	Reference
tMCAO	Mouse	Not Specified	Under investigation for reduction of infarct volume, brain water content, and neurological deficits.	

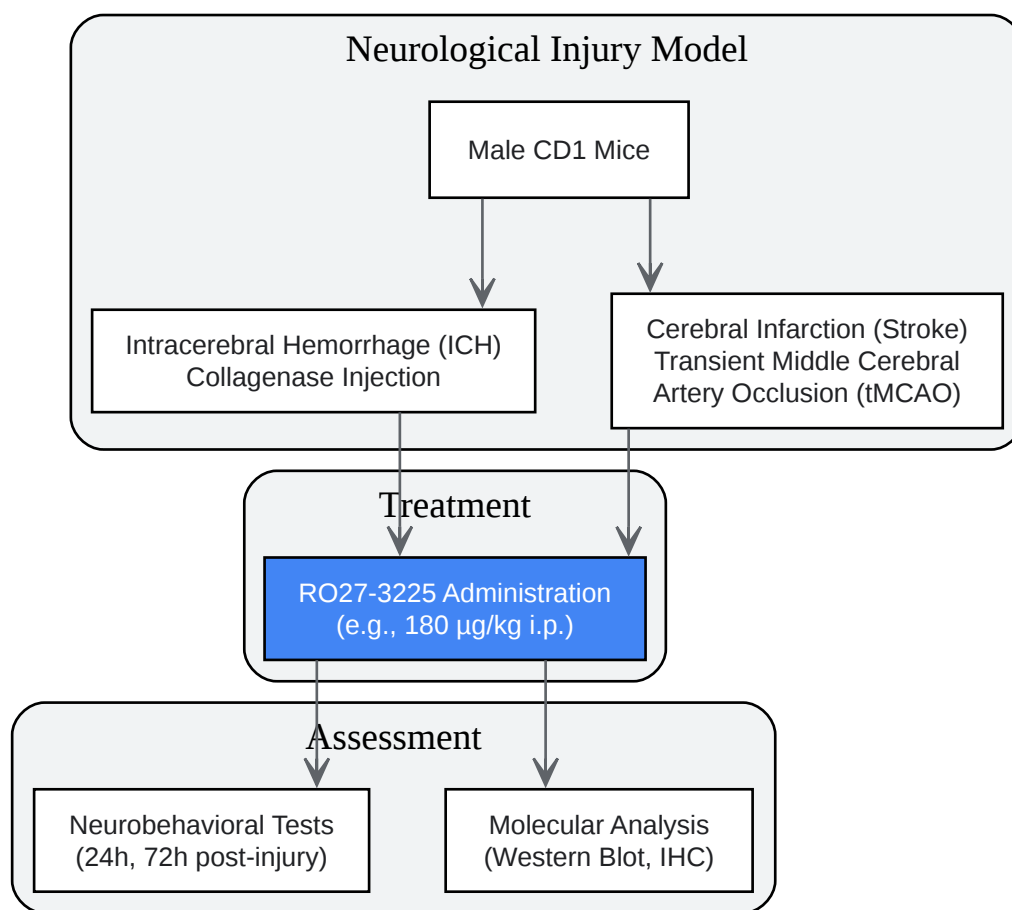
## Other Neurological Disorders

Extensive searches of the scientific literature did not yield any studies on the use of **RO27-3225** in preclinical models of other major neurological disorders, including Alzheimer's disease, Parkinson's disease, epilepsy, Huntington's disease, or amyotrophic lateral sclerosis (ALS). This indicates a significant gap in the current research landscape and a potential area for future investigation.

## Experimental Protocols

This section provides an overview of the methodologies used in key preclinical studies of **RO27-3225**.

## Animal Models and Neurological Injury Induction



[Click to download full resolution via product page](#)

**Figure 3:** General experimental workflow for evaluating **RO27-3225**.

- Intracerebral Hemorrhage (ICH) Model:
  - Species: Male CD1 mice.[1][2]
  - Induction: Stereotactic injection of bacterial collagenase into the right basal ganglia.[1]  
This method induces a focal hemorrhage that mimics clinical ICH.
- Transient Middle Cerebral Artery Occlusion (tMCAO) Model:
  - Species: Mice.
  - Induction: An intraluminal suture is used to occlude the middle cerebral artery for a defined period, followed by reperfusion. This model simulates ischemic stroke with subsequent

restoration of blood flow.

## Drug Administration

- Compound: **RO27-3225**, a selective MC4R agonist.
- Administration Route: Intraperitoneal (i.p.) injection.<sup>[1][2]</sup>
- Dosage Regimen: In the ICH model, **RO27-3225** was administered 1 hour after the induction of hemorrhage.<sup>[1][2]</sup> A dose-response study identified 180 µg/kg as the most effective dose.<sup>[1]</sup>

## Neurobehavioral Assessments

A battery of tests is used to evaluate sensory and motor deficits following brain injury.

- Forelimb Placement Test: Assesses the ability of the mouse to place its forelimb on a countertop in response to whisker stimulation. The test is performed for both forelimbs, and the number of successful placements out of a set number of trials is recorded.
- Corner Turn Test: The mouse is placed facing a 30-degree corner. As the mouse exits the corner, the direction of the turn is recorded. A healthy mouse will turn left or right, while an animal with a unilateral lesion will preferentially turn towards the non-impaired side. The percentage of right and left turns over a series of trials is calculated.
- Modified Garcia Test: A composite scoring system that evaluates multiple aspects of neurological function, including spontaneous activity, symmetry of limb movement, forelimb outstretching, climbing, body proprioception, and response to whisker stimulation. A higher score indicates better neurological function.

## Molecular and Histological Analyses

- Western Blotting: Used to quantify the expression levels of key proteins in the signaling pathways of interest (e.g., p-ASK1, p-JNK, p-p38 MAPK, NLRP1, cleaved caspase-1, IL-1 $\beta$ , p-AMPK, TNF- $\alpha$ ). Brain tissue from the perihematomal region is homogenized, and proteins are separated by electrophoresis and detected using specific antibodies.

- Immunohistochemistry (IHC) and Immunofluorescence (IF): These techniques are used to visualize the localization and expression of specific proteins within the brain tissue. They are also employed to identify and quantify different cell types, such as activated microglia/macrophages and infiltrating neutrophils.
- Fluoro-Jade C and TUNEL Staining: These methods are used to detect and quantify degenerating and apoptotic neurons, respectively, providing a measure of neuronal cell death.[1]

## Conclusion and Future Directions

The preclinical data available to date strongly suggest that **RO27-3225**, a selective MC4R agonist, holds considerable promise as a neuroprotective agent for acute brain injuries like intracerebral hemorrhage and ischemic stroke. Its ability to modulate key inflammatory and apoptotic pathways highlights the therapeutic potential of targeting the melanocortin system in these conditions.

However, the research on **RO27-3225** is still in its early stages. Future studies should aim to:

- Expand to other Neurological Disorders: Investigate the efficacy of **RO27-3225** in chronic neurodegenerative diseases such as Alzheimer's and Parkinson's disease, where neuroinflammation is a key pathological feature.
- Elucidate Further Mechanisms: Delve deeper into the downstream signaling pathways and cellular targets of MC4R activation in different neurological contexts.
- Conduct Pharmacokinetic and Safety Studies: Comprehensive pharmacokinetic, pharmacodynamic, and toxicology studies are necessary to assess the drug-like properties of **RO27-3225** and its suitability for clinical development.
- Explore Combination Therapies: Investigate the potential synergistic effects of **RO27-3225** with other neuroprotective or thrombolytic agents.

In conclusion, **RO27-3225** represents a promising therapeutic candidate that warrants further investigation for the treatment of a range of neurological disorders. This technical guide provides a solid foundation for researchers and clinicians to build upon as they explore the potential of this novel compound.

### Need Custom Synthesis?

BenchChem offers custom synthesis for rare earth carbides and specific isotopic labeling.

Email: [info@benchchem.com](mailto:info@benchchem.com) or [Request Quote Online](#).

## References

- [1. Behavioral tests in rodent models of stroke - PMC \[pmc.ncbi.nlm.nih.gov\]](#)
- [2. The MC4 receptor agonist RO27-3225 inhibits NLRP1-dependent neuronal pyroptosis via the ASK1/JNK/p38 MAPK pathway in a mouse model of intracerebral haemorrhage - PMC \[pmc.ncbi.nlm.nih.gov\]](#)
- To cite this document: BenchChem. [RO27-3225 in Preclinical Models of Neurological Disorders: A Technical Guide]. BenchChem, [2026]. [Online PDF]. Available at: [\[https://www.benchchem.com/product/b15620705/docs#ro27-3225-in-preclinical-models-of-neurological-disorders-a-technical-guide\]](https://www.benchchem.com/product/b15620705/docs#ro27-3225-in-preclinical-models-of-neurological-disorders-a-technical-guide)

---

### Disclaimer & Data Validity:

The information provided in this document is for Research Use Only (RUO) and is strictly not intended for diagnostic or therapeutic procedures. While BenchChem strives to provide accurate protocols, we make no warranties, express or implied, regarding the fitness of this product for every specific experimental setup.

**Technical Support:** The protocols provided are for reference purposes. Unsure if this reagent suits your experiment?

**Need Industrial/Bulk Grade?** [Request Custom Synthesis Quote](#)

# BenchChem

Our mission is to be the trusted global source of essential and advanced chemicals, empowering scientists and researchers to drive progress in science and industry.

## Contact

Address: 3281 E Guasti Rd

Ontario, CA 91761, United States

Phone: (601) 213-4426

Email: [info@benchchem.com](mailto:info@benchchem.com)

[Contact our Ph.D. Support Team for a compatibility check](#)