

# Unveiling the Off-Target Profile of Pindolol: An In-depth Preclinical Guide

**Author:** BenchChem Technical Support Team. **Date:** April 2026

## Compound of Interest

Compound Name: Pindolol  
CAS No.: 13523-86-9; 28813-39-0  
Cat. No.: B15617129

[Get Quote](#)

For Researchers, Scientists, and Drug Development Professionals

This technical guide provides a comprehensive exploration of the off-target effects of **Pindolol** observed in preclinical models. **Pindolol**, a non-selective  $\beta$ -adrenergic receptor antagonist, is primarily recognized for its therapeutic applications in hypertension and as an adjunct therapy in treatment-resistant depression. However, its pharmacological profile extends beyond  $\beta$ -adrenoceptors, exhibiting significant interactions with other receptor systems, most notably the serotonergic system. This document synthesizes key quantitative data, details experimental methodologies from pivotal preclinical studies, and visualizes the underlying molecular mechanisms and experimental workflows to offer a deeper understanding of **Pindolol's** broader pharmacological actions.

## Core Findings: Beyond Beta-Blockade

**Pindolol's** off-target activity is most prominently characterized by its interaction with serotonin 5-HT<sub>1A</sub> receptors, where it acts as a partial agonist.<sup>[1]</sup> This interaction is crucial to its role in augmenting the effects of selective serotonin reuptake inhibitors (SSRIs). Preclinical evidence

also points to downstream effects on dopaminergic and adrenergic neuronal activity, mediated through its action on 5-HT1A receptors.

## Quantitative Analysis of Pindolol's Receptor Binding and Functional Activity

The following tables summarize the quantitative data from various preclinical studies, offering a comparative overview of **Pindolol**'s binding affinities and functional activities at its primary targets and key off-target receptors.

Table 1: Receptor Binding Affinity of **Pindolol**

Receptor	Species	Tissue/System	K <sub>i</sub> (nM)	Reference
5-HT1A	Human	CHO-h5-HT1A cells	6.4	[2]
5-HT1A (presynaptic)	Human	Dorsal Raphe Nucleus	8.9 ± 1.1	[3]
5-HT1A (postsynaptic)	Human	Hippocampus (CA1)	14.4 ± 1.5	[3]
5-HT1A	Rat	Dorsal Raphe Nucleus	~1.5-1.7 (K <sub>D</sub> of radioligand)	[3]
5-HT1A	Rat	Hippocampus	~1.5-1.7 (K <sub>D</sub> of radioligand)	[3]

Table 2: Functional Activity of **Pindolol** at Off-Target Receptors

Receptor	Assay Type	Cell Line/Model	Activity	Efficacy/Eff ect	Reference
5-HT1A	[ <sup>35</sup> S]GTPγS Binding	CHO-h5-HT1A cells	Partial Agonist	20.3% relative to 5-HT	[2]
5-HT1A	MAPK Activation	CHO-h5-HT1A cells	Agonist	57% relative to (+)8-OH-DPAT	[4]
Serotonergic Neurons	In Vivo Electrophysiology	Rat Dorsal Raphe Nucleus	Inhibition of Firing Rate	-70%	[5]
Dopaminergic Neurons	In Vivo Electrophysiology	Rat Ventral Tegmental Area	Increased Firing Rate	+60%	[5]
Adrenergic Neurons	In Vivo Electrophysiology	Rat Locus Coeruleus	Increased Firing Rate	+83%	[5]

## Key Experimental Protocols in Preclinical Assessment

Detailed methodologies are crucial for the replication and extension of preclinical findings. The following sections outline the protocols for key experiments used to characterize **Pindolol**'s off-target effects.

### Radioligand Binding Assay

This assay is fundamental for determining the binding affinity of a compound to a specific receptor.

- Objective: To determine the equilibrium dissociation constant ( $K_i$ ) of **Pindolol** for the 5-HT1A receptor.
- Materials:

- Cell membranes expressing the receptor of interest (e.g., from CHO-h5-HT1A cells or brain tissue homogenates).
- Radioligand (e.g., [<sup>3</sup>H]WAY-100635 for 5-HT1A receptors).
- **Pindolol** solutions of varying concentrations.
- Incubation buffer.
- Wash buffer.
- Glass fiber filters.
- Scintillation fluid and counter.
- Procedure:
  - Incubate the cell membranes with a fixed concentration of the radioligand and varying concentrations of **Pindolol**.
  - Allow the binding to reach equilibrium.
  - Separate the bound from free radioligand by rapid filtration through glass fiber filters.
  - Wash the filters with ice-cold wash buffer to remove non-specifically bound radioligand.
  - Measure the radioactivity retained on the filters using a scintillation counter.
  - The concentration of **Pindolol** that inhibits 50% of the specific binding of the radioligand (IC<sub>50</sub>) is determined.
  - The K<sub>i</sub> value is then calculated using the Cheng-Prusoff equation:  $K_i = IC_{50} / (1 + [L]/K_d)$ , where [L] is the concentration of the radioligand and K<sub>d</sub> is its dissociation constant.

## In Vivo Microdialysis

This technique allows for the measurement of extracellular neurotransmitter levels in the brains of freely moving animals.

- Objective: To assess the effect of **Pindolol** on extracellular serotonin levels in specific brain regions.
- Materials:
  - Stereotaxic apparatus for probe implantation.
  - Microdialysis probes.
  - Perfusion pump.
  - Artificial cerebrospinal fluid (aCSF).
  - Fraction collector.
  - High-performance liquid chromatography (HPLC) system with electrochemical detection.
- Procedure:
  - Surgically implant a microdialysis probe into the target brain region (e.g., dorsal raphe nucleus, hippocampus) of an anesthetized rat.
  - Allow the animal to recover from surgery.
  - On the day of the experiment, connect the probe to a perfusion pump and perfuse with aCSF at a slow, constant flow rate.
  - Collect dialysate samples at regular intervals to establish a baseline of extracellular serotonin levels.
  - Administer **Pindolol** (systemically or locally through the probe) and continue to collect dialysate samples.
  - Analyze the concentration of serotonin in the dialysate samples using HPLC.

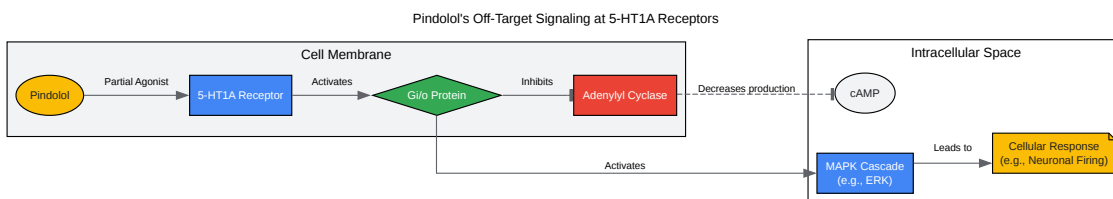
## In Vivo Electrophysiology

This method is used to record the electrical activity of individual neurons in live animals.

- Objective: To determine the effect of **Pindolol** on the firing rate of serotonergic, dopaminergic, and adrenergic neurons.
- Materials:
  - Anesthetized rat.
  - Stereotaxic frame.
  - Recording microelectrodes.
  - Amplifier and data acquisition system.
  - **Pindolol** solution for systemic administration.
- Procedure:
  - Anesthetize the rat and place it in a stereotaxic frame.
  - Carefully lower a recording microelectrode into the brain region of interest (e.g., dorsal raphe nucleus for serotonergic neurons, ventral tegmental area for dopaminergic neurons, locus coeruleus for adrenergic neurons).
  - Identify and record the baseline firing rate of a single neuron.
  - Administer **Pindolol** intravenously and record the changes in the neuron's firing rate over time.
  - Data is analyzed to determine the percentage change in firing rate from baseline.

## Visualizing the Mechanisms and Workflows

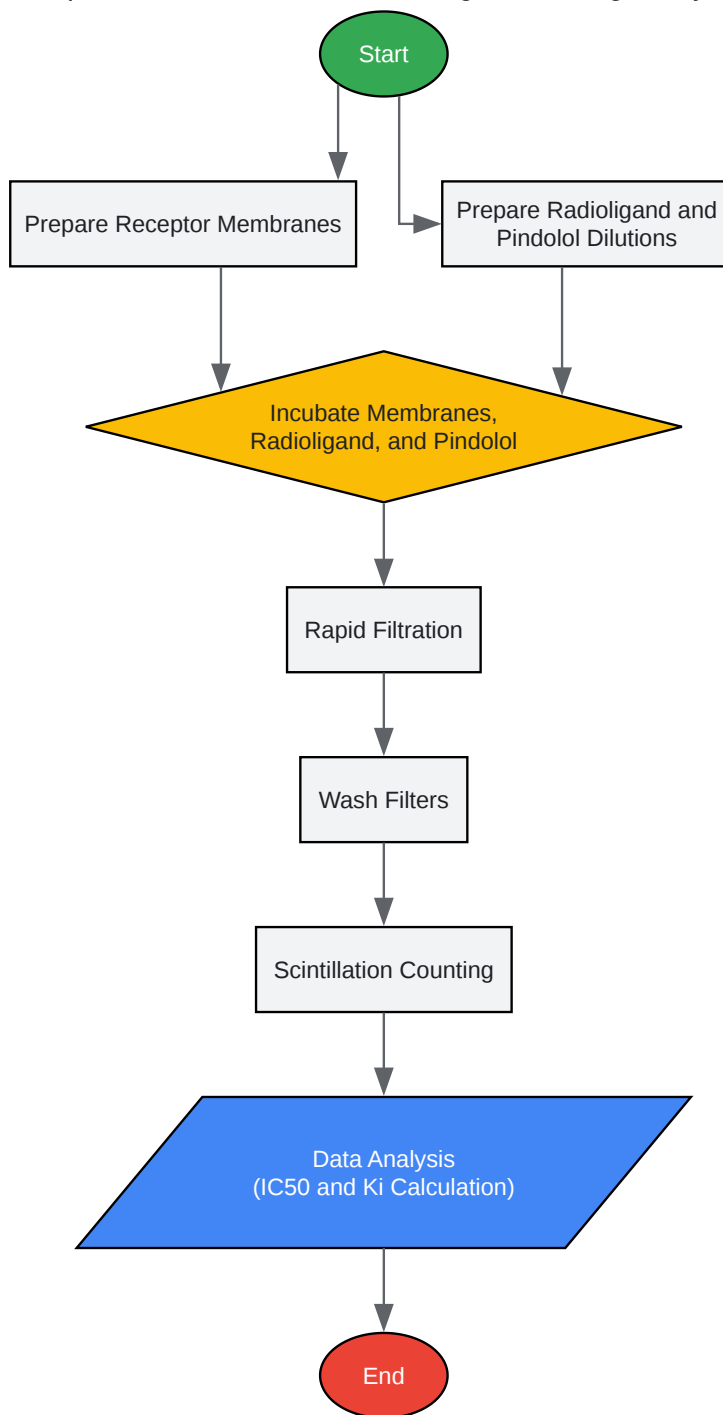
To further elucidate the complex interactions and experimental processes, the following diagrams have been generated using the DOT language.



[Click to download full resolution via product page](#)

### Pindolol's 5-HT1A Receptor Signaling Pathway

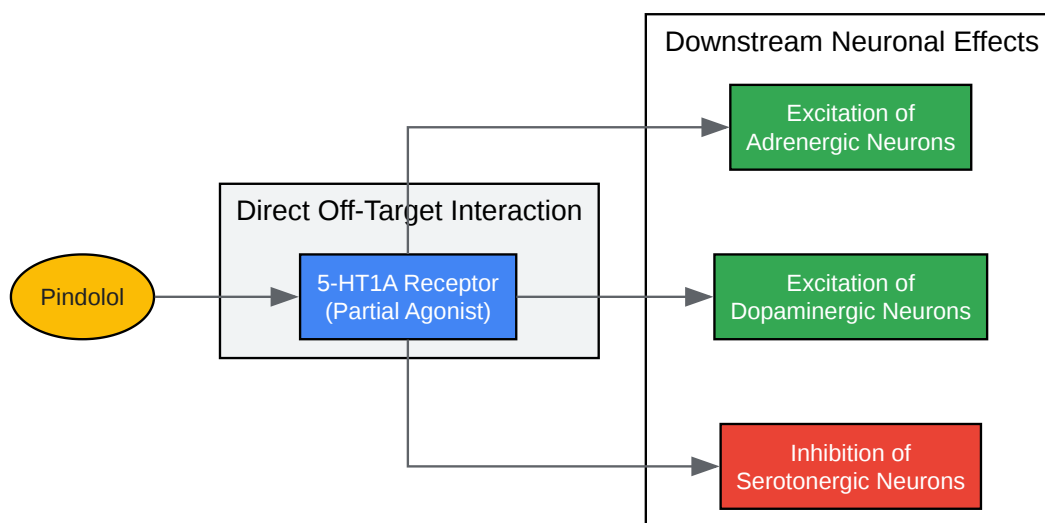
## Experimental Workflow for Radioligand Binding Assay



[Click to download full resolution via product page](#)

## Workflow of a Radioligand Binding Assay

Logical Relationship of Pindolol's Off-Target Effects



[Click to download full resolution via product page](#)

### Pindolol's Off-Target Effect Cascade

## Conclusion

The preclinical data robustly demonstrate that **Pindolol**'s pharmacological profile is more complex than that of a simple non-selective  $\beta$ -blocker. Its significant partial agonism at 5-HT1A receptors is a key off-target effect that likely underlies its utility in augmenting antidepressant therapies. This interaction leads to a cascade of downstream effects on other monoaminergic systems, including the dopaminergic and adrenergic pathways. The experimental methodologies detailed herein provide a framework for further investigation into the nuanced pharmacology of **Pindolol** and other compounds with multi-target engagement. A thorough understanding of these off-target effects is paramount for optimizing therapeutic strategies and anticipating the full spectrum of a drug's clinical impact.

**Need Custom Synthesis?**

BenchChem offers custom synthesis for rare earth carbides and specific isotopic labeling.

Email: [info@benchchem.com](mailto:info@benchchem.com) or [Request Quote Online](#).

## References

- [1. Pindolol augmentation of antidepressant response - PubMed \[pubmed.ncbi.nlm.nih.gov\]](#)
- [2. researchgate.net \[researchgate.net\]](#)
- [3. Analysis of mitogen-activated protein kinase activation and interactions with regulators and substrates - PMC \[pmc.ncbi.nlm.nih.gov\]](#)
- [4. Pindolol--a beta-adrenoceptor blocking drug with partial agonist activity: clinical pharmacological considerations - PMC \[pmc.ncbi.nlm.nih.gov\]](#)
- [5. Pindolol excites dopaminergic and adrenergic neurons, and inhibits serotonergic neurons, by activation of 5-HT1A receptors - PubMed \[pubmed.ncbi.nlm.nih.gov\]](#)
- To cite this document: BenchChem. [Unveiling the Off-Target Profile of Pindolol: An In-depth Preclinical Guide]. BenchChem, [2026]. [Online PDF]. Available at: [\[https://www.benchchem.com/product/b15617129/docs#unveiling-the-off-target-profile-of-pindolol-an-in-depth-preclinical-guide\]](https://www.benchchem.com/product/b15617129/docs#unveiling-the-off-target-profile-of-pindolol-an-in-depth-preclinical-guide)

---

**Disclaimer & Data Validity:**

The information provided in this document is for Research Use Only (RUO) and is strictly not intended for diagnostic or therapeutic procedures. While BenchChem strives to provide accurate protocols, we make no warranties, express or implied, regarding the fitness of this product for every specific experimental setup.

**Technical Support:** The protocols provided are for reference purposes. Unsure if this reagent suits your experiment?

**Need Industrial/Bulk Grade?** [Request Custom Synthesis Quote](#)

# BenchChem

Our mission is to be the trusted global source of essential and advanced chemicals, empowering scientists and researchers to drive progress in science and industry.

## Contact

Address: 3281 E Guasti Rd

Ontario, CA 91761, United States

Phone: (601) 213-4426

Email: [info@benchchem.com](mailto:info@benchchem.com)

[Contact our Ph.D. Support Team for a compatibility check](#)