

Application Notes and Protocols for Studying PAWI-2 Resistance Using Lentiviral Transduction

Author: BenchChem Technical Support Team. **Date:** April 2026

Compound of Interest

Compound Name: PAWI-2
Cat. No.: B15617903

[Get Quote](#)

For Researchers, Scientists, and Drug Development Professionals

These application notes provide a comprehensive guide to utilizing lentiviral transduction for investigating resistance mechanisms to **PAWI-2**, a novel compound with demonstrated efficacy against cancer stem cells. The protocols outlined below detail methods for generating **PAWI-2** resistant cell lines, identifying potential resistance genes through lentiviral-based screening, and characterizing the molecular changes associated with resistance.

Introduction to PAWI-2 and Resistance

PAWI-2 (p53 Activator and Wnt Inhibitor-2) is a small molecule that has shown promise in eradicating cancer stem cells, particularly in pancreatic cancer models. Its mechanism of action involves the modulation of key signaling pathways, including the activation of p53 and inhibition of Wnt signaling.[1][2][3] **PAWI-2** has also been shown to overcome resistance to other targeted therapies like erlotinib by targeting the integrin β 3-KRAS signaling pathway.[4][5][6][7] Despite its potential, the development of resistance to **PAWI-2** is a foreseeable clinical challenge. Understanding the molecular mechanisms underlying this resistance is crucial for the development of effective long-term therapeutic strategies.

Lentiviral vectors are a powerful tool for studying drug resistance due to their ability to efficiently transduce a wide range of cell types and integrate into the host genome, leading to stable, long-term expression of desired genetic elements.[8][9][10] This technology can be employed to either introduce or knock out specific genes to study their role in conferring **PAWI-2** resistance.

Data Presentation: PAWI-2 Dose-Response in Pancreatic Cancer Cell Lines

The following table summarizes the dose-dependent effect of **PAWI-2** on the viability of parental pancreatic cancer cells (FG) and a subline with enriched cancer stem cell-like properties (FG β 3), which overexpresses integrin β 3. This data can serve as a baseline for resistance studies.

| Cell Line | Description | PAWI-2 IC50 (nM) | Reference |
|--------------|---|------------------|-----------|
| FG | Parental pancreatic cancer cell line | ~50 | [6] |
| FG β 3 | FG subline with stable overexpression of integrin β 3 | ~20 | [6] |

Experimental Protocols

This section provides detailed methodologies for key experiments to investigate **PAWI-2** resistance.

Protocol 1: Generation of a PAWI-2 Resistant Cell Line

This protocol describes the generation of a **PAWI-2** resistant cell line through continuous, long-term exposure to the drug.

Materials:

- Parental cancer cell line of interest (e.g., FG pancreatic cancer cells)

- Complete cell culture medium
- **PAWI-2** (stock solution in DMSO)
- Cell counting solution (e.g., Trypan Blue)
- Cell viability assay kit (e.g., MTT, CellTiter-Glo®)
- Sterile cell culture plates and flasks
- CO2 incubator

Procedure:

- Determine the initial IC50 of **PAWI-2**:
 - Plate the parental cells in a 96-well plate.
 - Treat the cells with a range of **PAWI-2** concentrations for 72 hours.
 - Determine the half-maximal inhibitory concentration (IC50) using a cell viability assay.
- Initiate long-term **PAWI-2** exposure:
 - Culture the parental cells in a flask with complete medium containing **PAWI-2** at a concentration equal to the IC20 (the concentration that inhibits 20% of cell growth).
 - Monitor cell viability and confluence regularly.
 - When the cells reach 80-90% confluence, subculture them into a new flask with fresh medium containing the same concentration of **PAWI-2**.
- Gradual dose escalation:
 - Once the cells demonstrate stable growth in the presence of the initial **PAWI-2** concentration (typically after 2-3 passages), gradually increase the concentration of **PAWI-2** in the culture medium. A stepwise increase of 1.5 to 2-fold is recommended.

- Continue this process of gradual dose escalation over several months. If significant cell death is observed after a dose increase, maintain the cells at that concentration until they adapt and resume stable growth.
- Characterization of the resistant cell line:
 - After 6-12 months of continuous culture, the resulting cell line is considered **PAWI-2** resistant.
 - Determine the new IC50 of **PAWI-2** for the resistant cell line and compare it to the parental cell line. A significant increase in the IC50 value confirms resistance.
 - Cryopreserve aliquots of the resistant cell line at different passage numbers.
 - Perform molecular characterization to investigate the mechanisms of resistance (see Protocol 4).

Protocol 2: Lentiviral Production and Transduction

This protocol outlines the general procedure for producing lentiviral particles and transducing target cells. This is a foundational protocol for introducing shRNAs, CRISPR/Cas9 components, or open reading frames (ORFs).

Materials:

- HEK293T cells
- Lentiviral packaging plasmids (e.g., psPAX2, pMD2.G)
- Lentiviral transfer plasmid containing the gene of interest (e.g., shRNA, sgRNA/Cas9, ORF)
- Transfection reagent (e.g., Lipofectamine® 3000, FuGENE® HD)
- Opti-MEM™ I Reduced Serum Medium
- Complete culture medium (DMEM with 10% FBS)
- Target cells

- Polybrene®
- Selection antibiotic (e.g., puromycin)
- 0.45 µm filter

Procedure:

Part A: Lentivirus Production

- Day 1: Seed HEK293T cells:
 - Seed HEK293T cells in a 10 cm dish so that they reach 70-80% confluency on the day of transfection.
- Day 2: Transfection:
 - In separate tubes, dilute the lentiviral transfer plasmid and packaging plasmids in Opti-MEM™.
 - In another tube, dilute the transfection reagent in Opti-MEM™.
 - Combine the diluted DNA and transfection reagent, mix gently, and incubate at room temperature for 15-20 minutes to allow complex formation.
 - Add the transfection complex dropwise to the HEK293T cells.
- Day 3: Change of medium:
 - Approximately 16-24 hours post-transfection, replace the medium with fresh complete culture medium.
- Day 4 & 5: Harvest lentiviral supernatant:
 - At 48 and 72 hours post-transfection, collect the cell culture supernatant, which contains the lentiviral particles.
 - Centrifuge the supernatant at a low speed to pellet any cell debris.

- Filter the supernatant through a 0.45 µm filter.
- The viral supernatant can be used immediately or stored at -80°C.

Part B: Lentiviral Transduction

- Day 1: Seed target cells:
 - Seed the target cells (e.g., parental cancer cells) in a 6-well plate so that they are 50-60% confluent on the day of transduction.
- Day 2: Transduction:
 - Thaw the lentiviral supernatant on ice.
 - Prepare transduction medium by adding the desired amount of viral supernatant and Polybrene® (final concentration 4-8 µg/mL) to the complete culture medium.
 - Remove the existing medium from the target cells and add the transduction medium.
 - Incubate the cells for 24 hours.
- Day 3: Change of medium:
 - Replace the virus-containing medium with fresh complete culture medium.
- Day 4 onwards: Selection:
 - If the lentiviral vector contains a selection marker (e.g., puromycin resistance gene), add the appropriate antibiotic to the medium to select for transduced cells.
 - Maintain the cells under selection until a stable population of transduced cells is established.

Protocol 3: Lentiviral shRNA/CRISPR Library Screening for PAWI-2 Resistance Genes

This protocol describes a pooled lentiviral screen to identify genes whose loss-of-function confers resistance to **PAWI-2**.

Materials:

- Cas9-expressing parental cell line (for CRISPR screens)
- Pooled lentiviral shRNA or sgRNA library
- **PAWI-2**
- Genomic DNA extraction kit
- PCR reagents for library amplification
- Next-generation sequencing (NGS) platform

Procedure:

- Transduce cells with the lentiviral library:
 - Transduce the parental (or Cas9-expressing) cell line with the pooled lentiviral library at a low multiplicity of infection (MOI) of 0.3-0.5 to ensure that most cells receive a single viral particle.
 - Select for transduced cells using the appropriate antibiotic.
- **PAWI-2** treatment:
 - Split the transduced cell population into two groups: a control group (treated with vehicle, e.g., DMSO) and a **PAWI-2** treated group.
 - Treat the cells with a concentration of **PAWI-2** that results in significant but not complete cell death (e.g., IC80-IC90).
- Harvest surviving cells:

- After a period of selection (typically 2-3 weeks), harvest the surviving cells from both the control and **PAWI-2** treated populations.
- Genomic DNA extraction and library amplification:
 - Extract genomic DNA from both cell populations.
 - Use PCR to amplify the integrated shRNA or sgRNA sequences from the genomic DNA.
- Next-generation sequencing and data analysis:
 - Sequence the amplified libraries using an NGS platform.
 - Analyze the sequencing data to identify shRNAs or sgRNAs that are enriched in the **PAWI-2** treated population compared to the control population.
 - Genes targeted by the enriched shRNAs/sgRNAs are candidate **PAWI-2** resistance genes.

Protocol 4: Characterization of PAWI-2 Resistant Cells

This protocol details methods to investigate the molecular changes in **PAWI-2** resistant cells.

A. Western Blotting for Signaling Pathway Analysis

- Objective: To analyze changes in the protein expression and phosphorylation status of key components of the Wnt, p53, and integrin β 3-KRAS signaling pathways.
- Procedure:
 - Lyse parental and **PAWI-2** resistant cells to extract total protein.
 - Determine protein concentration using a BCA or Bradford assay.
 - Separate proteins by SDS-PAGE and transfer to a PVDF or nitrocellulose membrane.
 - Block the membrane with 5% non-fat milk or BSA in TBST.
 - Incubate the membrane with primary antibodies against proteins of interest (e.g., β -catenin, p53, p-p53, Integrin β 3, p-TBK1, and loading controls like GAPDH or β -actin).

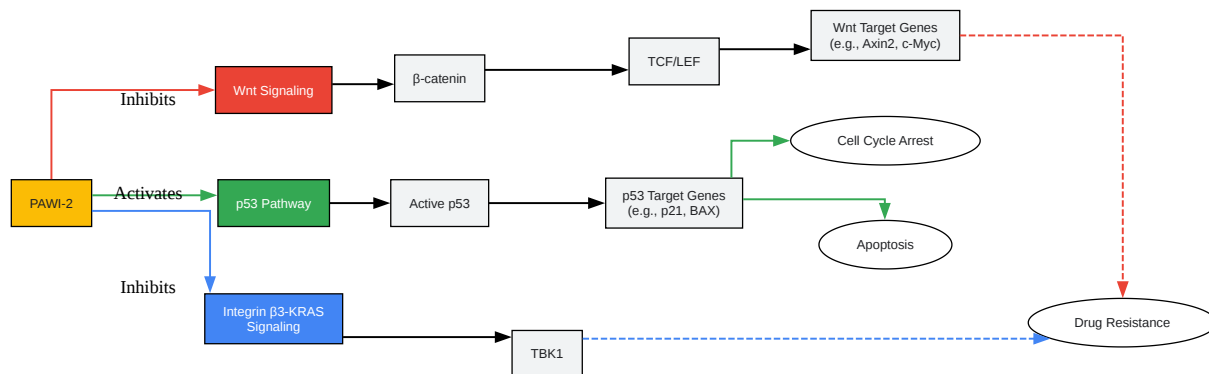
- Wash the membrane and incubate with HRP-conjugated secondary antibodies.
- Detect the signal using an enhanced chemiluminescence (ECL) substrate.
- Quantify band intensities to compare protein levels between parental and resistant cells.

B. Quantitative Real-Time PCR (qRT-PCR) for Gene Expression Analysis

- Objective: To measure changes in the mRNA expression of genes known to be regulated by the Wnt and p53 pathways.
- Procedure:
 - Isolate total RNA from parental and **PAWI-2** resistant cells.
 - Synthesize cDNA using a reverse transcription kit.
 - Perform qRT-PCR using SYBR Green or TaqMan probes for target genes (e.g., Axin2, c-Myc as Wnt targets; p21, BAX as p53 targets) and a housekeeping gene (e.g., GAPDH, ACTB) for normalization.
 - Calculate the relative gene expression changes using the $\Delta\Delta C_t$ method.

Mandatory Visualizations

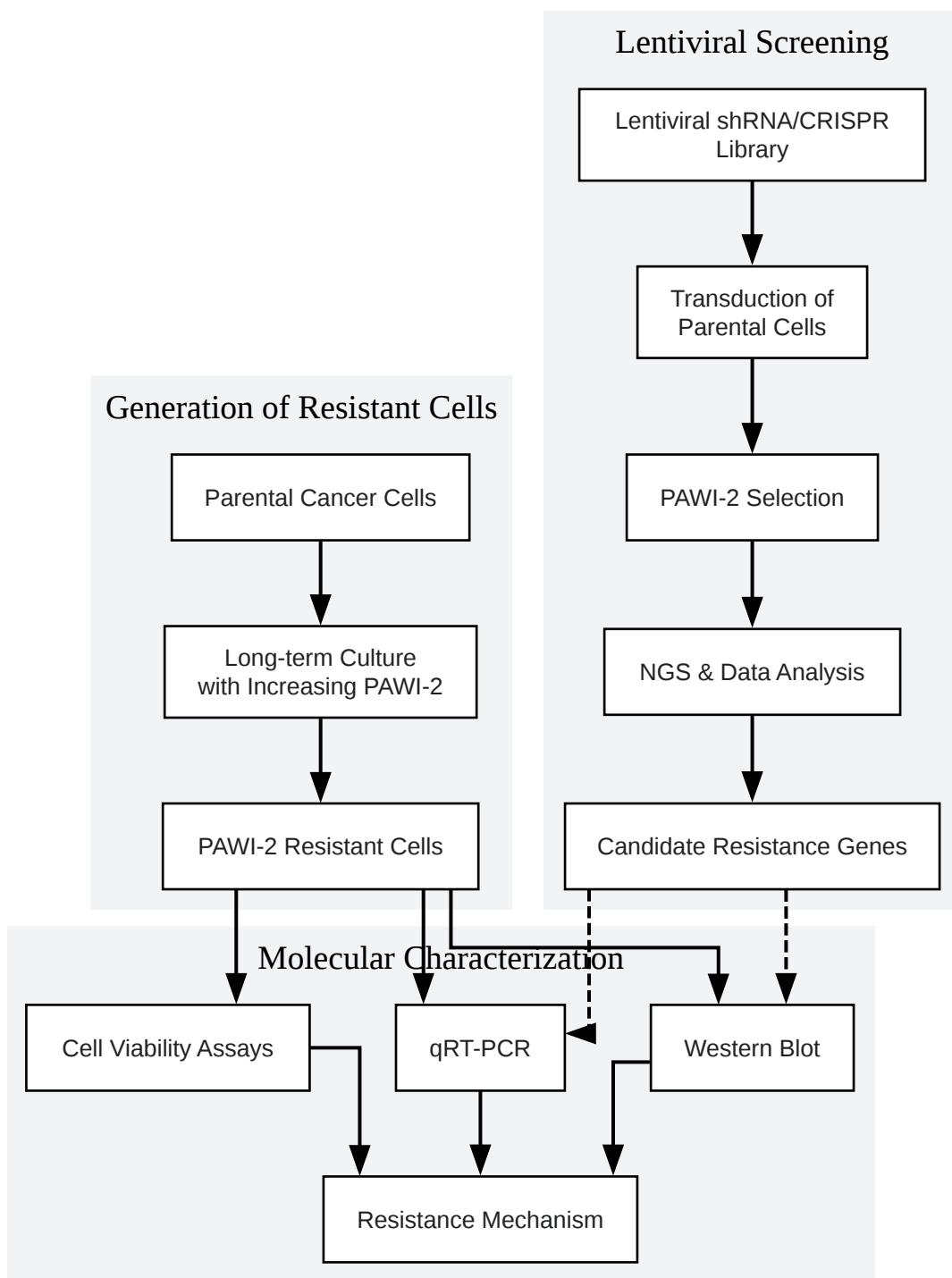
Signaling Pathway Diagram



[Click to download full resolution via product page](#)

Caption: **PAWI-2** signaling pathways.

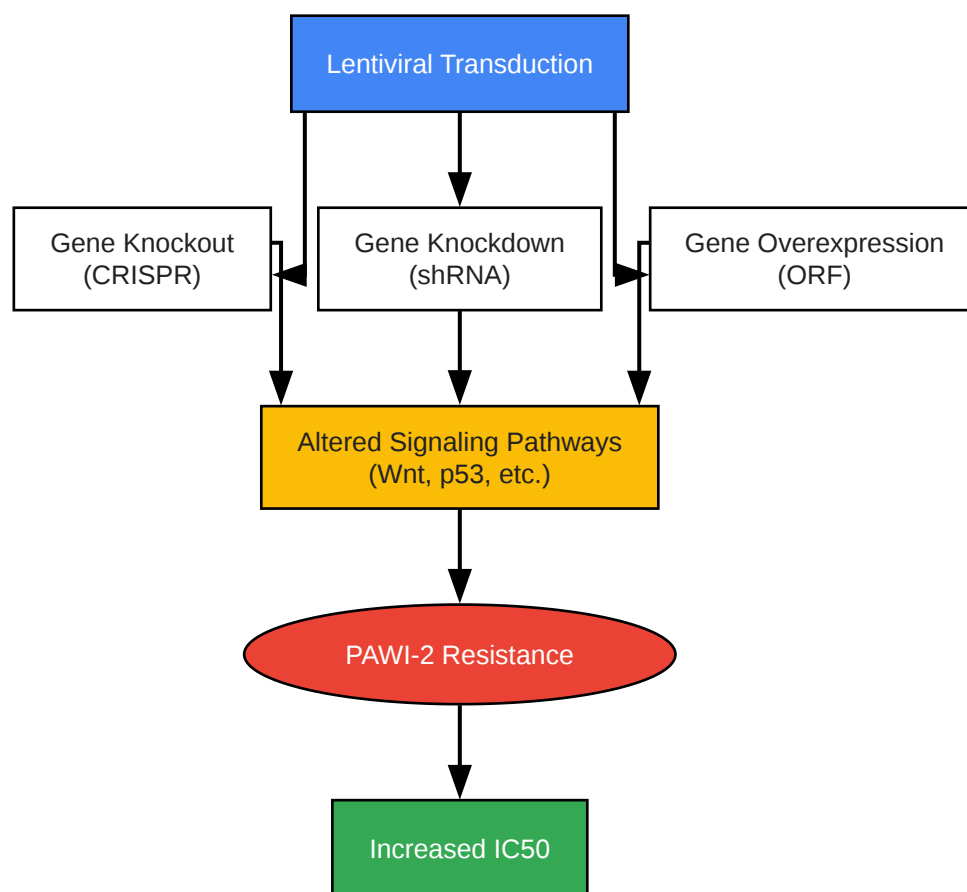
Experimental Workflow Diagram



[Click to download full resolution via product page](#)

Caption: Workflow for studying **PAWI-2** resistance.

Logical Relationship Diagram



[Click to download full resolution via product page](#)

Caption: Logic of lentiviral-mediated resistance.

Need Custom Synthesis?

BenchChem offers custom synthesis for rare earth carbides and specific isotopic labeling.

Email: info@benchchem.com or [Request Quote Online](#).

References

- 1. Effect of PAWI-2 on pancreatic cancer stem cell tumors - PubMed [pubmed.ncbi.nlm.nih.gov]
- 2. Pancreatic cancer drug-sensitivity predicted by synergy of p53-Activator Wnt Inhibitor-2 (PAWI-2) and protein biomarker expression - PubMed [pubmed.ncbi.nlm.nih.gov]
- 3. hbri.org [hbri.org]

- [4. PAWI-2 overcomes tumor stemness and drug resistance via cell cycle arrest in integrin \$\beta\$ 3-KRAS-dependent pancreatic cancer stem cells - PubMed \[pubmed.ncbi.nlm.nih.gov\]](#)
- [5. PAWI-2 overcomes tumor stemness and drug resistance via cell cycle arrest in integrin beta3-KRAS-dependent pancreatic cancer stem cells. – CIRM \[cirm.ca.gov\]](#)
- [6. researchgate.net \[researchgate.net\]](#)
- [7. PAWI-2 overcomes tumor stemness and drug resistance via cell cycle arrest in integrin \$\beta\$ 3-KRAS-dependent pancreatic cancer stem cells - PMC \[pmc.ncbi.nlm.nih.gov\]](#)
- [8. addgene.org \[addgene.org\]](#)
- [9. bitesizebio.com \[bitesizebio.com\]](#)
- [10. cd-genomics.com \[cd-genomics.com\]](#)
- [To cite this document: BenchChem. \[Application Notes and Protocols for Studying PAWI-2 Resistance Using Lentiviral Transduction\]. BenchChem, \[2026\]. \[Online PDF\]. Available at: \[https://www.benchchem.com/product/b15617903/docs#application-notes-and-protocols-for-studying-pawi-2-resistance-using-lentiviral-transduction\]](#)

Disclaimer & Data Validity:

The information provided in this document is for Research Use Only (RUO) and is strictly not intended for diagnostic or therapeutic procedures. While BenchChem strives to provide accurate protocols, we make no warranties, express or implied, regarding the fitness of this product for every specific experimental setup.

Technical Support: The protocols provided are for reference purposes. Unsure if this reagent suits your experiment?

Need Industrial/Bulk Grade? [Request Custom Synthesis Quote](#)

BenchChem

Our mission is to be the trusted global source of essential and advanced chemicals, empowering scientists and researchers to drive progress in science and industry.

Contact

Address: 3281 E Guasti Rd
Ontario, CA 91761, United States
Phone: (601) 213-4426
Email: info@benchchem.com

Contact our Ph.D. Support Team for a compatibility check