

# Application Notes and Protocols for Fosciclopirox Disodium

**Author:** BenchChem Technical Support Team. **Date:** April 2026

## Compound of Interest

Compound Name: *Fosciclopirox disodium*

CAS No.: 1380539-08-1

Cat. No.: B15617283

[Get Quote](#)

For Researchers, Scientists, and Drug Development Professionals

## Introduction

**Fosciclopirox disodium** (also known as CPX-POM) is the phosphoryloxymethyl ester prodrug of the synthetic antifungal agent Ciclopirox (CPX).[1] This modification significantly enhances the aqueous solubility of the parent compound, making it suitable for parenteral administration.[2] Following administration, Fosciclopirox is rapidly and completely metabolized by circulating phosphatases into its active metabolite, Ciclopirox.[1][2][3] Ciclopirox has demonstrated not only antifungal and anti-inflammatory properties but also potent anticancer activity in various preclinical models of solid tumors and hematologic malignancies.[4][5]

The primary mechanism of its anticancer action involves the inhibition of the Notch signaling pathway through direct binding to and suppression of the  $\gamma$ -secretase complex proteins, Presenilin 1 and Nicastrin.[2][5][6] Additionally, Ciclopirox is known to chelate polyvalent metal cations like  $\text{Fe}^{3+}$ , thereby inhibiting essential metal-dependent enzymes and disrupting mitochondrial processes.[1][2]

These application notes provide detailed protocols for the dissolution of **Fosciclopirox disodium** for experimental use, along with relevant data on its properties and mechanism of action.

## Chemical and Physical Properties

A summary of the key properties of **Fosciclopirox disodium** is presented below.

Property	Value	Reference
Synonyms	CPX-POM, Fosciclopirox	[1][2]
Molecular Formula	C <sub>13</sub> H <sub>18</sub> NNa <sub>2</sub> O <sub>6</sub> P (disodium)	[7]
Molecular Weight	361.24 g/mol (disodium)	[7]
Appearance	White solid	[2]
Solubility	Excellent water solubility	[2]
DMSO: 100 mg/mL (315.19 mM)	[8]	

## Experimental Protocols

### Protocol 1: Preparation of Aqueous Stock Solutions for In Vivo Studies

This protocol is suitable for preparing **Fosciclopirox disodium** for parenteral administration in animal models where the prodrug will be converted to its active form.

Materials:

- **Fosciclopirox disodium** powder
- Sterile Water for Injection (WFI)
- Anhydrous dibasic sodium phosphate (or other suitable buffer)
- Sodium hydroxide and/or hydrochloric acid for pH adjustment

- Sterile conical tubes or vials
- Calibrated pH meter
- Sterile filters (0.22  $\mu\text{m}$ )

#### Procedure:

- **Weighing:** Accurately weigh the desired amount of **Fosciclopirox disodium** powder in a sterile container.
- **Initial Dissolution:** Add a portion of the final volume of Sterile Water for Injection to the powder. For example, to prepare a 50 mg/mL solution, add approximately 80% of the final required volume of WFI.[2]
- **Buffering:** Add a buffering agent, such as dibasic sodium phosphate, to maintain a stable pH. A common formulation uses a 25 mM phosphate buffer.[4]
- **pH Adjustment:** Gently mix the solution until the powder is fully dissolved. Measure the pH and adjust to a neutral pH (e.g., pH 7.0) using small additions of sodium hydroxide or hydrochloric acid as needed.[4]
- **Final Volume:** Bring the solution to the final desired concentration by adding the remaining Sterile Water for Injection.
- **Sterilization:** Sterilize the final solution by passing it through a 0.22  $\mu\text{m}$  sterile filter into a sterile, final container.
- **Storage:** Store the prepared solution under refrigerated conditions (2°C to 8°C).[4] For long-term storage, refer to the stability data below.

## Protocol 2: Preparation of DMSO Stock Solutions for In Vitro and In Vivo Use

This protocol is for preparing concentrated stock solutions in an organic solvent, which can then be further diluted in aqueous media or specific formulation vehicles. Note that for most in vitro cell-based assays, using the active metabolite Ciclopirox Olamine (CPX-O) is

recommended, as cell culture media often lack the necessary phosphatases to efficiently convert Fosciclopirox.[2]

Materials:

- **Fosciclopirox disodium** powder
- Hygroscopic, newly opened Dimethyl sulfoxide (DMSO)
- Sterile microcentrifuge tubes or vials
- Vortex mixer and/or sonicator

Procedure:

- Weighing: Weigh the desired amount of **Fosciclopirox disodium** powder in a sterile vial.
- Dissolution: Add the appropriate volume of high-purity DMSO to achieve the desired concentration (e.g., up to 100 mg/mL).[8]
- Mixing: Vortex the solution vigorously. If precipitation or incomplete dissolution occurs, gentle heating and/or sonication can be used to aid dissolution.[8]
- Storage: Store the DMSO stock solution at -20°C for short-term (up to 1 month) or -80°C for long-term (up to 6 months) storage.[8] Avoid repeated freeze-thaw cycles.

## Protocol 3: Preparation of Dosing Solutions for In Vivo Administration

This protocol describes the dilution of a DMSO stock solution into a vehicle suitable for injection in animal studies.

Materials:

- **Fosciclopirox disodium** DMSO stock solution (from Protocol 2)
- Vehicle components (e.g., PEG300, Tween-80, Saline, Corn Oil, SBE- $\beta$ -CD in Saline)

- Sterile tubes for dilution

#### Procedure:

- Vehicle Preparation: Prepare the desired vehicle mixture. Examples of vehicles that yield a clear solution at  $\geq 2.08$  mg/mL include:[8]
  - Vehicle A: 10% DMSO, 40% PEG300, 5% Tween-80, 45% Saline
  - Vehicle B: 10% DMSO, 90% (20% SBE- $\beta$ -CD in Saline)
  - Vehicle C: 10% DMSO, 90% Corn Oil
- Dilution: Add the required volume of the Fosiclopirox DMSO stock solution to the prepared vehicle to achieve the final desired dosing concentration. For example, to prepare 1 mL of dosing solution using Vehicle B, add 100  $\mu$ L of a 20.8 mg/mL DMSO stock to 900  $\mu$ L of 20% SBE- $\beta$ -CD in Saline.[8]
- Mixing: Mix the final solution thoroughly until it is clear and homogenous.

## Solution Stability

Proper storage is critical to maintain the integrity of **Fosiclopirox disodium** solutions.

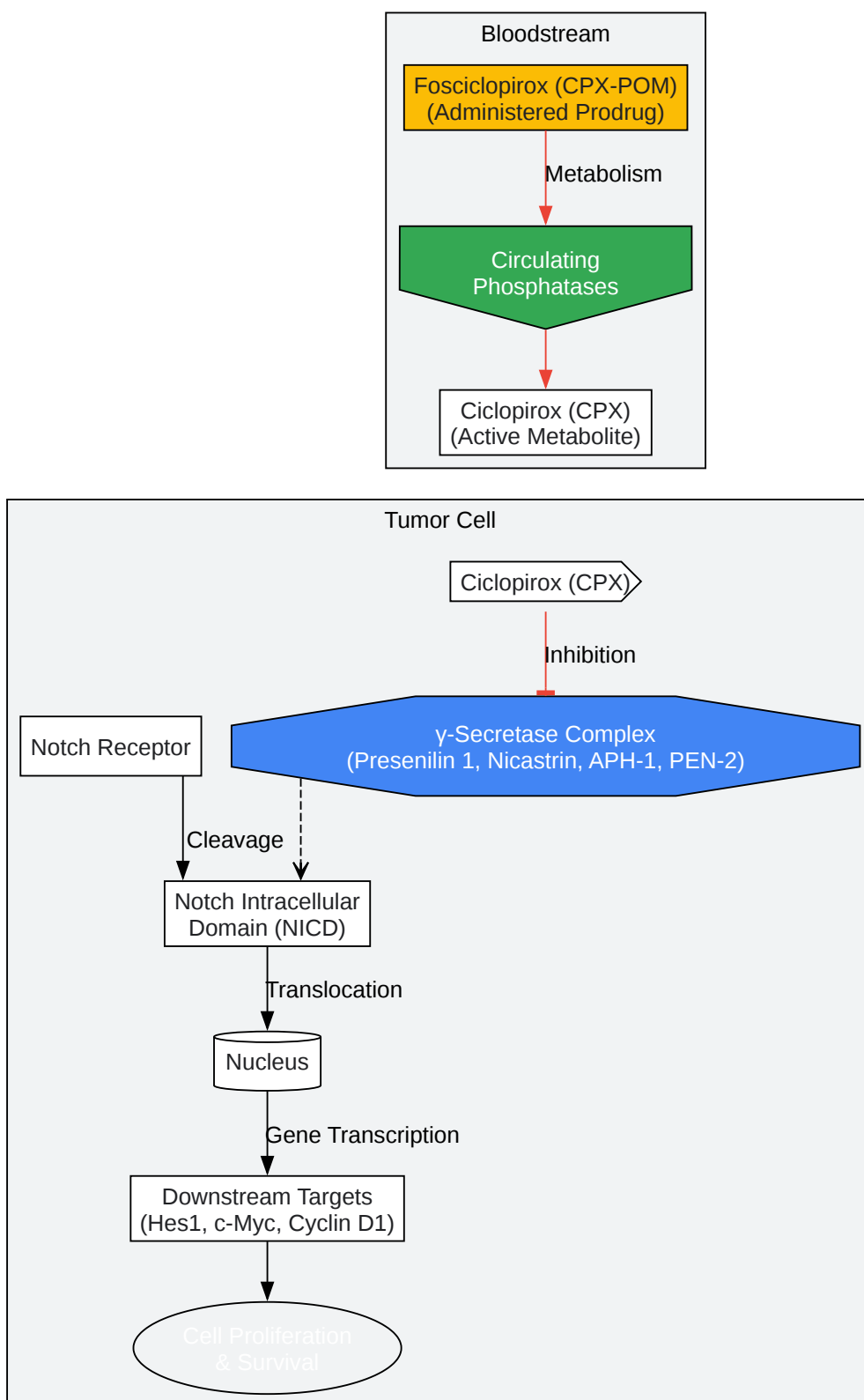
Solvent/Formulation	Storage Temperature	Stability Period	Reference
DMSO Stock Solution	-20°C	1 month	[8]
	-80°C	6 months	[8]
Sterile Aqueous Solution (Buffered)	2°C to 8°C	Short-term (days to weeks)	[4][7]

Note: Always protect solutions from light and use high-purity, anhydrous solvents where specified to prevent degradation.[9]

## Mechanism of Action and Experimental Workflow Visualization

### Foscicliprox Activation and Notch Pathway Inhibition

Foscicliprox acts as a prodrug, delivering the active compound Cicliprox, which then exerts its anticancer effects by targeting the  $\gamma$ -secretase complex within the Notch signaling pathway.

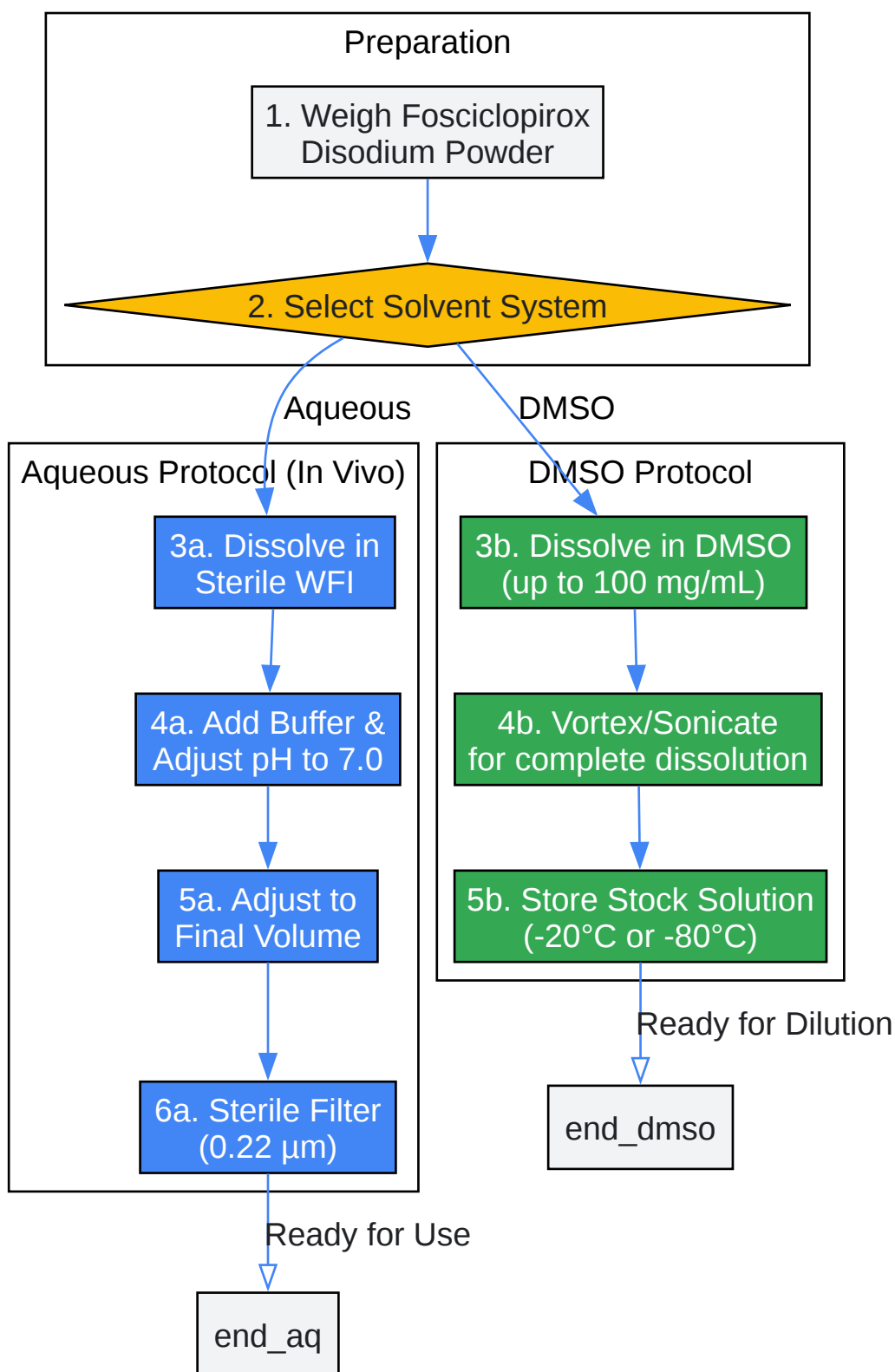


[Click to download full resolution via product page](#)

Caption: Foscicliopirox activation and mechanism of action on the Notch signaling pathway.

## Experimental Workflow for Fosciclopirox Dissolution

The following diagram illustrates a logical workflow for preparing **Fosciclopirox disodium** solutions for experimental use.



[Click to download full resolution via product page](#)

Caption: General workflow for dissolving **Foscicliopirox disodium** for experiments.

**Need Custom Synthesis?**

BenchChem offers custom synthesis for rare earth carbides and specific isotopic labeling.

Email: [info@benchchem.com](mailto:info@benchchem.com) or [Request Quote Online](#).

## References

- [1. Facebook \[cancer.gov\]](#)
- [2. Foscicliprox suppresses growth of high-grade urothelial cancer by targeting the  \$\gamma\$ -secretase complex - PMC \[pmc.ncbi.nlm.nih.gov\]](#)
- [3. Preclinical Pharmacokinetics of Foscicliprox, a Novel Treatment of Urothelial Cancers, in Rats and Dogs - PubMed \[pubmed.ncbi.nlm.nih.gov\]](#)
- [4. researchgate.net \[researchgate.net\]](#)
- [5. Foscicliprox suppresses growth of high-grade urothelial cancer by targeting the  \$\gamma\$ -secretase complex - PubMed \[pubmed.ncbi.nlm.nih.gov\]](#)
- [6. researchgate.net \[researchgate.net\]](#)
- [7. medkoo.com \[medkoo.com\]](#)
- [8. medchemexpress.com \[medchemexpress.com\]](#)
- [9. Stability of solutions of antineoplastic agents during preparation and storage for in vitro assays. II. Assay methods, adriamycin and the other antitumour antibiotics - PubMed \[pubmed.ncbi.nlm.nih.gov\]](#)
- [To cite this document: BenchChem. \[Application Notes and Protocols for Foscicliprox Disodium\]. BenchChem, \[2026\]. \[Online PDF\]. Available at: \[https://www.benchchem.com/product/b15617283/docs#application-notes-and-protocols-for-foscicliprox-disodium\]](#)

---

**Disclaimer & Data Validity:**

The information provided in this document is for Research Use Only (RUO) and is strictly not intended for diagnostic or therapeutic procedures. While BenchChem strives to provide accurate protocols, we make no warranties, express or implied, regarding the fitness of this product for every specific experimental setup.

**Technical Support:** The protocols provided are for reference purposes. Unsure if this reagent suits your experiment?

**Need Industrial/Bulk Grade?** [Request Custom Synthesis Quote](#)

## BenchChem

Our mission is to be the trusted global source of essential and advanced chemicals, empowering scientists and researchers to drive progress in science and industry.

### Contact

Address: 3281 E Guasti Rd  
Ontario, CA 91761, United States  
Phone: (601) 213-4426  
Email: [info@benchchem.com](mailto:info@benchchem.com)

[Contact our Ph.D. Support Team for a compatibility check](#)