

Application Notes and Protocols for CS12192 in In Vivo Mouse Models

Author: BenchChem Technical Support Team. **Date:** April 2026

Compound of Interest

Compound Name:	CS12192
CAS No.:	1888318-68-0
Cat. No.:	B15615417

[Get Quote](#)

These application notes provide a comprehensive guide for researchers, scientists, and drug development professionals on the use of **CS12192**, a novel and selective inhibitor of Janus kinase 3 (JAK3), with partial inhibitory activity against JAK1 and TANK-binding kinase 1 (TBK1), in various in vivo mouse models of autoimmune and inflammatory diseases.

Mechanism of Action

CS12192 exerts its therapeutic effects by modulating key inflammatory signaling pathways. As a selective JAK3 inhibitor, it significantly interferes with the JAK/STAT signaling cascade, which is crucial for the differentiation and function of immune cells.[1][2] Specifically, inhibition of JAK3 disrupts the signaling of cytokines that utilize the common gamma chain (γ_c), including IL-2, IL-4, IL-7, IL-9, IL-15, and IL-21, thereby suppressing T-cell and NK cell activation and proliferation.[1] The partial inhibition of JAK1 further broadens its immunomodulatory effects. Additionally, **CS12192**'s inhibitory action on TBK1 attenuates the production of type I interferons (IFNs) by blocking the phosphorylation of IRF3, a key transcription factor in the IFN signaling pathway.[2][3] This dual action on both the JAK/STAT and TBK1 pathways makes **CS12192** a potent agent for controlling autoimmune and inflammatory responses.[1][3]

Data Presentation

The following tables summarize the quantitative data from preclinical studies of **CS12192** in various mouse models.

Table 1: Efficacy of **CS12192** in a Mouse Model of Graft-versus-Host Disease (GVHD)

Dosage and Administration	Survival Rate (at day 62)	Key Findings	Reference
40 mg/kg, BID, oral	88.89%	Significantly improved survival compared to vehicle.	[4]
80 mg/kg, BID, oral	100%	Completely prevented mortality associated with GVHD.	[4]

Table 2: Efficacy of **CS12192** in a Mouse Model of Rheumatoid Arthritis (Collagen-Induced Arthritis - CIA)

Dosage and Administration	Reduction in Arthritis Score	Reduction in Paw Swelling	Key Findings	Reference
Dose-dependent, oral	Significant	Significant	Ameliorated disease severity, reduced joint inflammation and bone destruction. Suppressed CD4+ T cell activation and Th17 function.	[1][2]

Table 3: Efficacy of **CS12192** in Mouse Models of Autoimmune Dermatoses

Mouse Model	Dosage and Administration	Key Efficacy Endpoints	Key Findings	Reference
Psoriasis (IL-23 induced)	Not specified	Reduced ear thickness and weight	Alleviated psoriatic-like skin inflammation.	[5]
Systemic Lupus Erythematosus (MRL/lpr)	Not specified	Ameliorated lymphadenectasis and skin lesions	Improved cutaneous manifestations of SLE.	[5]
Atopic Dermatitis (OXA/DNCB induced)	Dose-dependent	Improved ear swelling and reduced histological scores	Demonstrated efficacy equivalent to baricitinib.	[5]
Alopecia Areata (C3H/HeJ skin-grafted)	Dose-dependent	Reversed hair growth inhibition	Reduced infiltration of immune cells, particularly CD8+ T cells, in the skin.	[1]

Experimental Protocols

The following are detailed methodologies for key experiments cited in the literature for the use of **CS12192** in in vivo mouse models.

Protocol 1: Collagen-Induced Arthritis (CIA) Mouse Model

This protocol describes the induction of arthritis in mice and subsequent treatment with **CS12192** to evaluate its anti-inflammatory efficacy.

Materials:

- Male DBA/1 mice (8-10 weeks old)
- Bovine type II collagen (CII)
- Complete Freund's Adjuvant (CFA)
- Incomplete Freund's Adjuvant (IFA)
- **CS12192**
- Vehicle for **CS12192** (e.g., 0.5% methylcellulose)
- Syringes and needles for immunization and oral gavage

Procedure:

- Immunization:
 - On day 0, emulsify bovine type II collagen with an equal volume of Complete Freund's Adjuvant to a final concentration of 2 mg/mL.
 - Inject 100 μ L of the emulsion intradermally at the base of the tail of each mouse.
- Booster Immunization:
 - On day 21, prepare an emulsion of bovine type II collagen with Incomplete Freund's Adjuvant (2 mg/mL).
 - Administer a 100 μ L booster injection intradermally at the base of the tail.
- Treatment:
 - Begin treatment with **CS12192** or vehicle upon the first signs of arthritis (typically around day 21-28).
 - Administer **CS12192** orally (e.g., via gavage) at the desired dose (dose-ranging studies are recommended, starting from doses reported in the literature). Treatment is typically administered daily.[2]

- Assessment:
 - Monitor mice daily for clinical signs of arthritis. Score the severity of arthritis in each paw on a scale of 0-4 (0=normal, 1=mild swelling and erythema, 2=moderate swelling and erythema, 3=severe swelling and erythema, 4=maximal inflammation with joint rigidity). The maximum score per mouse is 16.
 - Measure paw thickness using a caliper every 2-3 days.
 - At the end of the study (e.g., day 42), collect blood for serum cytokine analysis and harvest joints for histological examination and gene expression analysis of pro-inflammatory cytokines and chemokines.[2]

Protocol 2: Acute Graft-versus-Host Disease (GVHD) Mouse Model

This protocol details the induction of acute GVHD in a murine bone marrow transplantation model and the evaluation of **CS12192**'s efficacy in improving survival.

Materials:

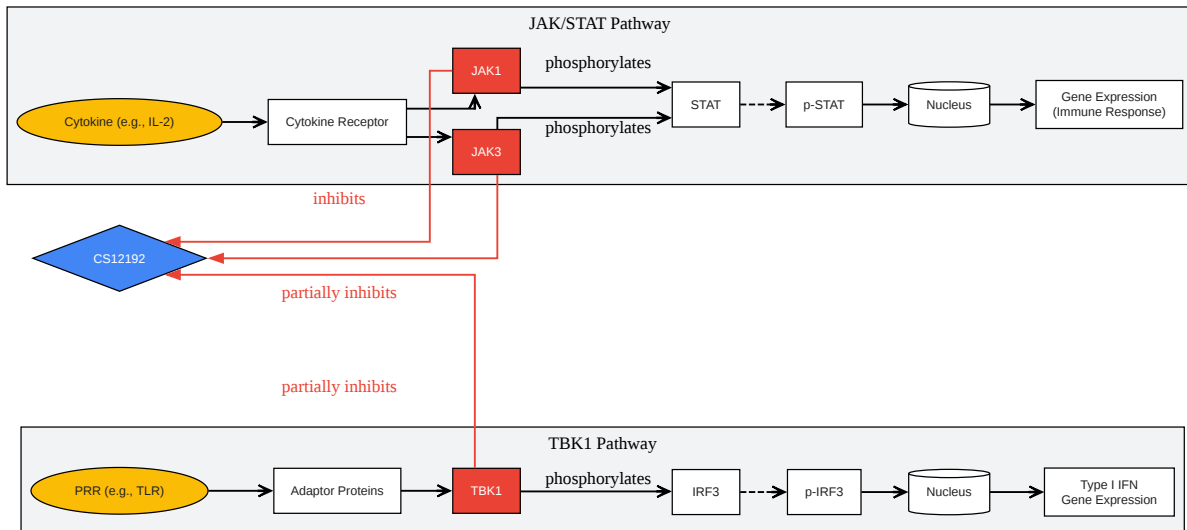
- Donor mice (e.g., C57BL/6)
- Recipient mice (e.g., BALB/c)
- **CS12192**
- Vehicle for **CS12192**
- Shielded irradiator
- Bone marrow harvesting tools
- Spleen harvesting tools
- Syringes and needles for injection and oral gavage

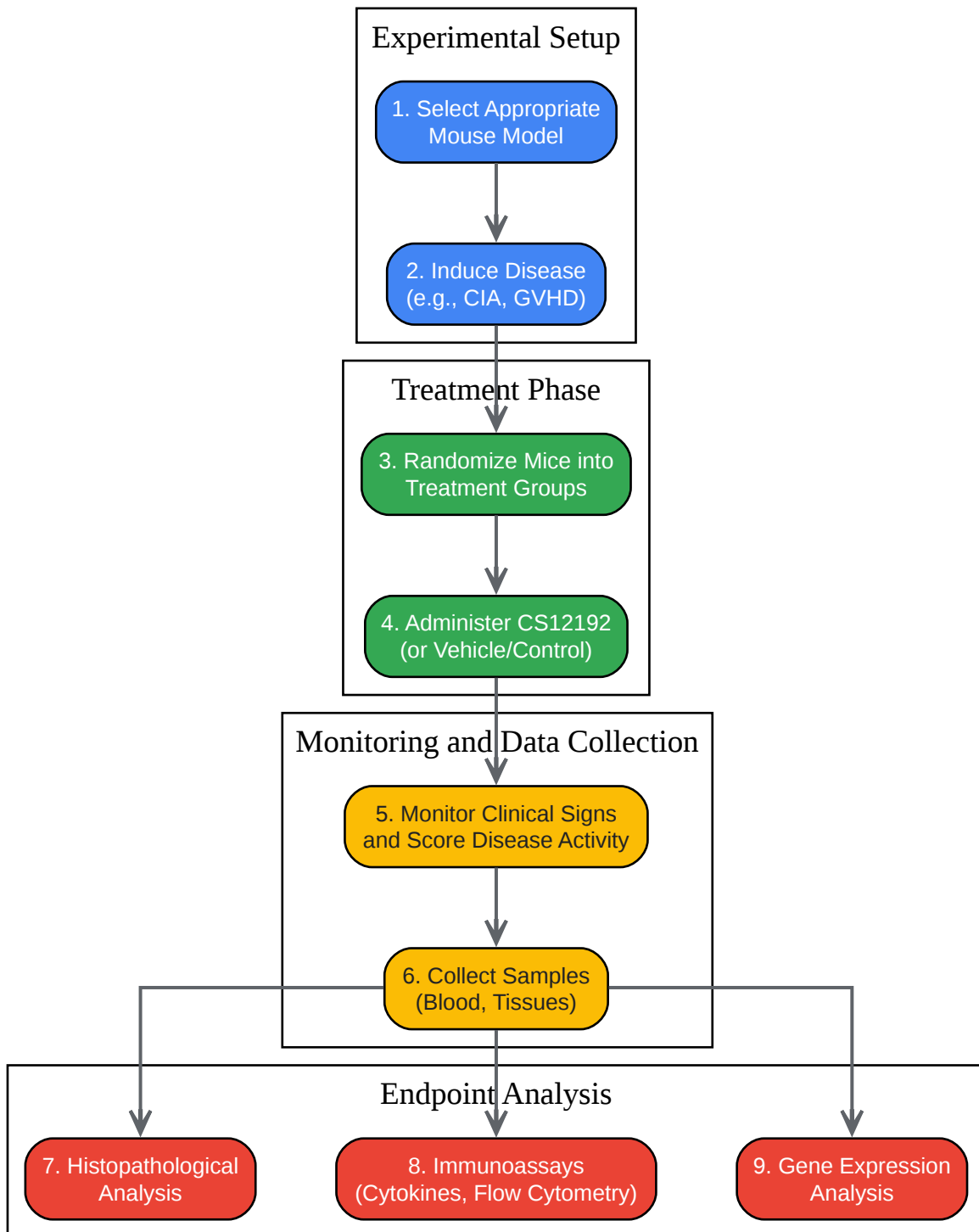
Procedure:

- Recipient Conditioning:
 - On day -1, lethally irradiate recipient mice to ablate their hematopoietic system. The radiation dose will depend on the strain and the irradiator used.
- Cell Transplantation:
 - On day 0, harvest bone marrow cells and splenocytes from donor mice.
 - Inject a combination of donor bone marrow cells and splenocytes intravenously into the irradiated recipient mice. The cell numbers will need to be optimized for the specific mouse strains used.
- Treatment:
 - Begin oral administration of **CS12192** or vehicle on day 0 or day +1 post-transplantation.
 - Administer **CS12192** twice daily (BID) at doses of 40 mg/kg and 80 mg/kg.[4]
- Assessment:
 - Monitor the mice daily for survival, body weight changes, and clinical signs of GVHD (e.g., weight loss, hunched posture, ruffled fur, diarrhea, skin lesions).
 - The primary endpoint is survival, which should be monitored for at least 60 days.[4]
 - At specific time points, blood can be collected for flow cytometric analysis of immune cell populations.

Mandatory Visualizations

Signaling Pathway Diagrams





[Click to download full resolution via product page](#)

Need Custom Synthesis?

BenchChem offers custom synthesis for rare earth carbides and specific isotopic labeling.

Email: info@benchchem.com or [Request Quote Online](#).

References

- [1. researchgate.net \[researchgate.net\]](https://www.researchgate.net)
- [2. Therapeutic treatment of a novel selective JAK3/JAK1/TBK1 inhibitor, CS12192, in rat and mouse models of rheumatoid arthritis - PubMed \[pubmed.ncbi.nlm.nih.gov\]](#)
- [3. CS12192, a Novel JAK3/JAK1/TBK1 Inhibitor, Synergistically Enhances the Anti-Inflammation Effect of Methotrexate in a Rat Model of Rheumatoid Arthritis - PMC \[pmc.ncbi.nlm.nih.gov\]](#)
- [4. CS12192: A novel selective and potent JAK3 inhibitor mitigates acute graft-versus-host disease in bone marrow transplantation - PubMed \[pubmed.ncbi.nlm.nih.gov\]](#)
- [5. CS12192, a novel JAK3/JAK1/TBK1 inhibitor, attenuates autoimmune dermatoses in murine models - PubMed \[pubmed.ncbi.nlm.nih.gov\]](#)
- To cite this document: BenchChem. [Application Notes and Protocols for CS12192 in In Vivo Mouse Models]. BenchChem, [2026]. [Online PDF]. Available at: [\[https://www.benchchem.com/product/b15615417/docs#application-notes-and-protocols-for-cs12192-in-in-vivo-mouse-models\]](https://www.benchchem.com/product/b15615417/docs#application-notes-and-protocols-for-cs12192-in-in-vivo-mouse-models)

Disclaimer & Data Validity:

The information provided in this document is for Research Use Only (RUO) and is strictly not intended for diagnostic or therapeutic procedures. While BenchChem strives to provide accurate protocols, we make no warranties, express or implied, regarding the fitness of this product for every specific experimental setup.

Technical Support: The protocols provided are for reference purposes. Unsure if this reagent suits your experiment?

Need Industrial/Bulk Grade? [Request Custom Synthesis Quote](#)

BenchChem

Our mission is to be the trusted global source of essential and advanced chemicals, empowering scientists and researchers to drive progress in science and industry.

Contact

Address: 3281 E Guasti Rd

Ontario, CA 91761, United States

Phone: (601) 213-4426

Email: info@benchchem.com

[Contact our Ph.D. Support Team for a compatibility check](#)