

# Structural Basis for JNK-1-IN-4 Selectivity: A Comparative Guide

**Author:** BenchChem Technical Support Team. **Date:** April 2026

## Compound of Interest

Compound Name: *Jnk-1-IN-4*

Cat. No.: *B15611922*

[Get Quote](#)

For Researchers, Scientists, and Drug Development Professionals

This guide provides a detailed comparison of **JNK-1-IN-4**, a selective c-Jun N-terminal kinase (JNK) 1 inhibitor, with other notable JNK inhibitors. We delve into the structural underpinnings of its selectivity, supported by quantitative data and detailed experimental methodologies. This document aims to serve as a comprehensive resource for researchers in kinase signaling and drug discovery.

## Introduction to JNK Signaling

The c-Jun N-terminal kinases (JNKs) are a family of serine/threonine protein kinases that belong to the mitogen-activated protein kinase (MAPK) group.<sup>[1]</sup> They are activated by a variety of cellular stresses, including inflammatory cytokines, ultraviolet radiation, heat shock, and osmotic shock.<sup>[2]</sup> The JNK signaling pathway plays a critical role in regulating diverse cellular processes such as cell proliferation, apoptosis, differentiation, and inflammation.<sup>[3]</sup>

There are three main JNK genes—JNK1, JNK2, and JNK3—which produce at least ten different protein isoforms through alternative splicing.<sup>[2]</sup> While JNK1 and JNK2 are ubiquitously expressed, JNK3 is found predominantly in the brain, heart, and testes.<sup>[4]</sup> This tissue-specific expression and the distinct, sometimes opposing, functions of the isoforms make the

development of isoform-selective inhibitors a key therapeutic goal.[3] Dysregulation of JNK signaling is implicated in numerous diseases, including neurodegenerative disorders, inflammatory conditions, and cancer.[1]

## JNK-1-IN-4: A Selective JNK1 Inhibitor

**JNK-1-IN-4** (also known as Compound E1) has emerged as a potent inhibitor of JNK, demonstrating notable selectivity for the JNK1 isoform. Its inhibitory activity against the three JNK isoforms highlights its preference for JNK1, making it a valuable tool for dissecting the specific roles of this isoform.

## Performance Comparison of JNK Inhibitors

The selectivity of a kinase inhibitor is crucial for minimizing off-target effects. The following table summarizes the in vitro potency of **JNK-1-IN-4** against JNK isoforms and compares it with other well-characterized JNK inhibitors.

Inhibitor	JNK1 (IC50/Ki)	JNK2 (IC50/Ki)	JNK3 (IC50/Ki)	Selectivity Profile & Notes
JNK-1-IN-4	2.7 nM (IC50)	19.0 nM (IC50)	9.0 nM (IC50)	~7-fold selective for JNK1 over JNK2.
SP600125	40 nM (IC50)	40 nM (IC50)	90 nM (IC50)	Pan-JNK inhibitor; ATP-competitive. Also inhibits other kinases like Aurora kinase A and FLT3.[5][6]
Bentamapimod (AS602801)	80 nM (IC50)	90 nM (IC50)	230 nM (IC50)	Orally active pan-JNK inhibitor.[5]
Tanzisertib (CC-930)	61 nM (IC50), 44 nM (Ki)	5 nM (IC50), 6.2 nM (Ki)	5 nM (IC50)	Potent pan-JNK inhibitor with high selectivity against MAP kinases ERK1 and p38α.[5]
BI-78D3	280 nM (IC50)	-	-	Substrate-competitive inhibitor targeting the JIP1 docking site; >100-fold selective over p38α.[5][7]
JNK-IN-8	4.7 nM (IC50)	2.1 nM (IC50)	0.8 nM (IC50)	Covalent inhibitor targeting a conserved cysteine residue. [8]

IC50 (Half-maximal inhibitory concentration) is the concentration of an inhibitor required to reduce the activity of a kinase by 50%.<sup>[9]</sup> Ki (Inhibition constant) represents the dissociation constant of the enzyme-inhibitor complex.

## Structural Basis for JNK-1-IN-4 Selectivity

As of this review, a public co-crystal structure of **JNK-1-IN-4** bound to JNK1 is not available. However, by examining the known structures of JNK1 in complex with other ligands, we can infer a plausible structural basis for its selectivity.

The JNK1 kinase domain consists of a smaller N-terminal lobe, primarily composed of  $\beta$ -sheets, and a larger C-terminal  $\alpha$ -helical lobe.<sup>[1]</sup> The ATP-binding site is located in the cleft between these two lobes. Selectivity among JNK isoforms, and against other kinases, is often achieved by exploiting subtle differences in the amino acid residues lining this pocket and adjacent regions.

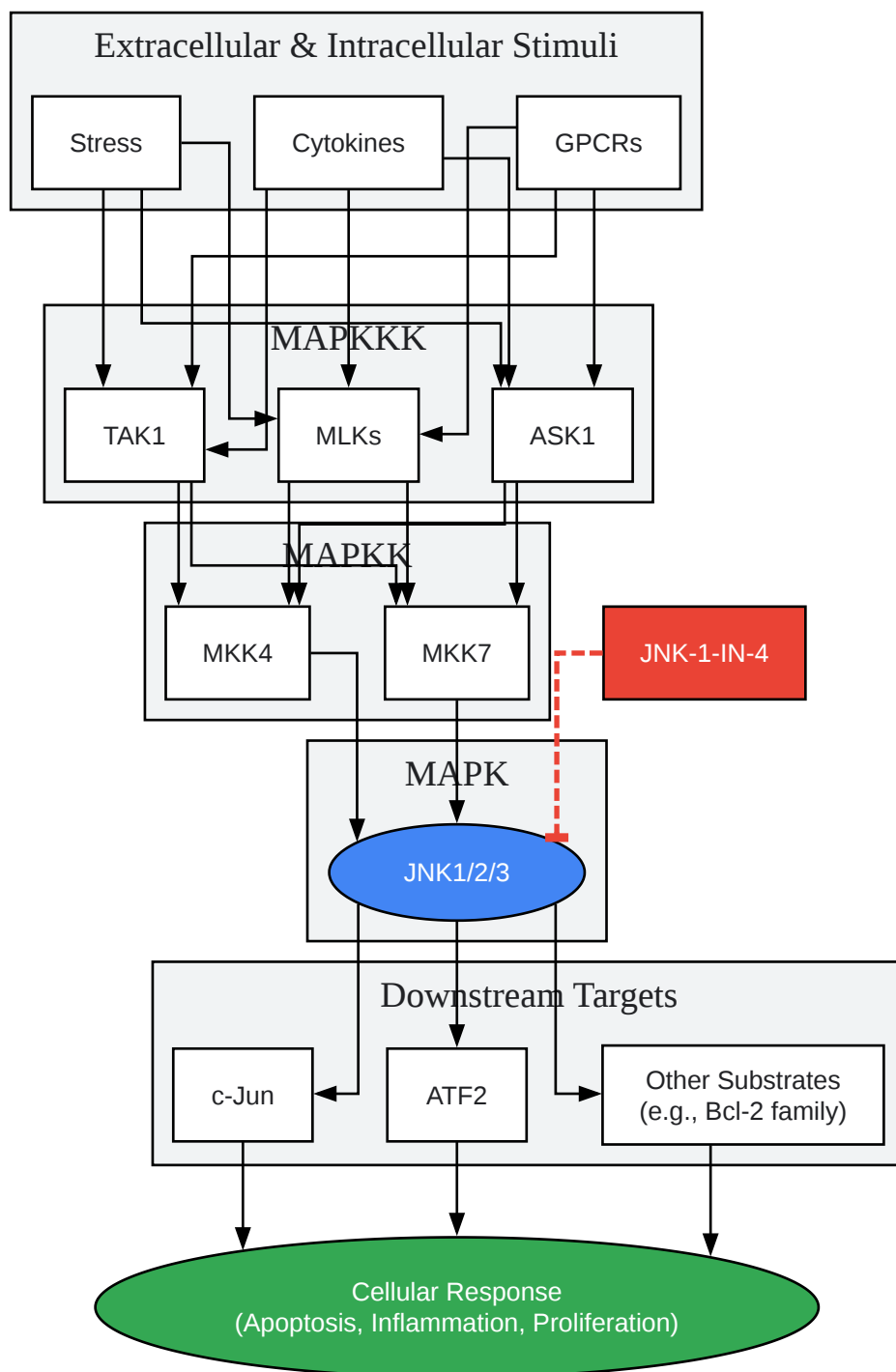
Key structural features of JNK1 that inhibitors can exploit include:

- The Hinge Region: This region connects the N- and C-lobes and forms critical hydrogen bonds with ATP-competitive inhibitors.
- The Gatekeeper Residue: This residue controls access to a hydrophobic back pocket. The nature of the gatekeeper (Methionine in JNKs) and the size of the back pocket can be key determinants of selectivity.
- The D-Recruiting Site (DRS): Located distal to the active site, this docking groove binds to a "D-motif" present in JNK substrates and scaffold proteins like JIP1.<sup>[10]</sup> Inhibitors that target this site, such as BI-78D3, offer an alternative, non-ATP competitive mechanism of inhibition.<sup>[7]</sup>

**JNK-1-IN-4**'s preference for JNK1 over JNK2 suggests it likely interacts with residues that differ between these two highly homologous isoforms. Although the ATP-binding pockets are highly conserved (>98% homology), minor variations in residues outside the immediate binding cleft can influence inhibitor affinity and conformation, leading to isoform-specific inhibition.<sup>[10]</sup> Without a co-crystal structure, molecular docking and structure-activity relationship (SAR) studies would be necessary to precisely map the interactions responsible for the observed selectivity of **JNK-1-IN-4**.<sup>[11]</sup>

# Signaling Pathways and Experimental Workflows

To provide a comprehensive context, the following diagrams illustrate the JNK signaling pathway and a typical workflow for evaluating inhibitor performance.



[Click to download full resolution via product page](#)

Caption: The JNK signaling cascade.



[Click to download full resolution via product page](#)

Caption: Workflow for JNK inhibitor evaluation.

## Experimental Protocols

Accurate determination of inhibitor potency and selectivity relies on robust experimental design. Below are methodologies for key experiments.

### In Vitro Kinase Activity Assay (IC<sub>50</sub> Determination)

This assay measures the ability of a compound to inhibit the phosphorylation of a substrate by a specific JNK isoform.

Objective: To determine the IC<sub>50</sub> value of an inhibitor for JNK1, JNK2, and JNK3.

Materials:

- Recombinant human JNK1, JNK2, and JNK3 enzymes.
- Kinase substrate (e.g., GST-c-Jun or a synthetic peptide like ATF2).
- Kinase buffer (e.g., 25 mM HEPES pH 7.4, 25 mM MgCl<sub>2</sub>, 25 mM β-glycerophosphate, 2 mM DTT).
- ATP (typically at the K<sub>m</sub> concentration for each kinase).
- Test inhibitor (e.g., **JNK-1-IN-4**) at various concentrations.
- Detection system: This can be radioactive ([γ-<sup>32</sup>P]ATP with subsequent autoradiography) or non-radioactive (e.g., ADP-Glo™, LanthaScreen™, or ELISA-based with a phospho-specific antibody).

Procedure (using ADP-Glo™ as an example):

- Reaction Setup: In a 384-well plate, add the test inhibitor at serially diluted concentrations.
- Enzyme Addition: Add the recombinant JNK isoform to each well.
- Reaction Initiation: Add a mixture of the kinase substrate (e.g., ATF2) and ATP to start the reaction.

- Incubation: Incubate the plate at 30°C for a specified time (e.g., 30-60 minutes).
- Reaction Termination & ADP Detection: Add ADP-Glo™ Reagent to stop the kinase reaction and deplete the remaining ATP.
- Luminescence Generation: Add Kinase Detection Reagent to convert the ADP generated by the kinase reaction into a luminescent signal.
- Data Acquisition: Read the luminescence on a plate reader.
- Data Analysis: Plot the luminescence signal against the inhibitor concentration. Fit the data to a four-parameter logistic curve to determine the IC50 value.

## Cell-Based c-Jun Phosphorylation Assay

This assay validates the inhibitor's activity in a cellular context by measuring the phosphorylation of a direct downstream target of JNK.

Objective: To measure the inhibition of endogenous JNK activity in cells.

Materials:

- Cell line (e.g., HeLa or A375 cells).
- Cell culture medium and reagents.
- JNK pathway activator (e.g., Anisomycin or UV radiation).
- Test inhibitor.
- Lysis buffer.
- Antibodies: Primary antibody against phospho-c-Jun (Ser63) and a total c-Jun antibody.
- Detection method: Western blotting or In-Cell Western™.

Procedure (Western Blotting):

- Cell Culture: Plate cells and grow to 70-80% confluency.

- Inhibitor Pre-treatment: Pre-incubate cells with various concentrations of the test inhibitor for 1-2 hours.
- Stimulation: Stimulate the cells with a JNK activator (e.g., 10 µg/mL Anisomycin for 30 minutes) to induce c-Jun phosphorylation.
- Cell Lysis: Wash cells with cold PBS and lyse with an appropriate lysis buffer containing protease and phosphatase inhibitors.
- Protein Quantification: Determine the protein concentration of the lysates using a BCA or Bradford assay.
- SDS-PAGE and Transfer: Separate equal amounts of protein by SDS-PAGE and transfer to a PVDF or nitrocellulose membrane.
- Immunoblotting:
  - Block the membrane (e.g., with 5% BSA or milk in TBST).
  - Incubate with the primary antibody against phospho-c-Jun overnight at 4°C.
  - Wash and incubate with a horseradish peroxidase (HRP)-conjugated secondary antibody.
  - Detect the signal using an enhanced chemiluminescence (ECL) substrate.
- Data Analysis: Quantify the band intensities using densitometry. Normalize the phospho-c-Jun signal to the total c-Jun or a loading control (e.g., GAPDH). Plot the normalized signal against inhibitor concentration to determine the cellular EC50.

## Conclusion

**JNK-1-IN-4** is a valuable chemical probe distinguished by its potent inhibition of JNK1 and its selectivity over the JNK2 isoform. While the precise structural interactions driving this selectivity await elucidation by crystallographic or advanced computational studies, analysis of the JNK1 structure provides a strong framework for understanding its potential binding mode. By comparing its performance with a range of other inhibitors, from pan-JNK compounds like SP600125 to substrate-competitive molecules like BI-78D3, this guide places **JNK-1-IN-4** in the broader context of JNK-targeted drug discovery. The provided methodologies offer a

standardized approach for researchers to validate and compare the efficacy and selectivity of novel JNK inhibitors, ultimately advancing the development of targeted therapies for JNK-driven diseases.

#### Need Custom Synthesis?

BenchChem offers custom synthesis for rare earth carbides and specific isotopic labeling.

Email: [info@benchchem.com](mailto:info@benchchem.com) or [Request Quote Online](#).

## References

- 1. C-Jun N-terminal kinase inhibitors: Structural insight into kinase-inhibitor complexes - PMC [[pmc.ncbi.nlm.nih.gov](https://pubmed.ncbi.nlm.nih.gov)]
- 2. Discovery of potent and selective covalent inhibitors of JNK - PMC [[pmc.ncbi.nlm.nih.gov](https://pubmed.ncbi.nlm.nih.gov)]
- 3. Selective inhibitors for JNK signalling: a potential targeted therapy in cancer - PubMed [[pubmed.ncbi.nlm.nih.gov](https://pubmed.ncbi.nlm.nih.gov)]
- 4. Synthesis and SAR of piperazine amides as novel c-jun N-terminal kinase (JNK) inhibitors - PMC [[pmc.ncbi.nlm.nih.gov](https://pubmed.ncbi.nlm.nih.gov)]
- 5. [selleckchem.com](https://www.selleckchem.com) [[selleckchem.com](https://www.selleckchem.com)]
- 6. SP600125, an anthrapyrazolone inhibitor of Jun N-terminal kinase - PMC [[pmc.ncbi.nlm.nih.gov](https://pubmed.ncbi.nlm.nih.gov)]
- 7. Identification of a new JNK inhibitor targeting the JNK-JIP interaction site - PMC [[pmc.ncbi.nlm.nih.gov](https://pubmed.ncbi.nlm.nih.gov)]
- 8. Discovery of potent and selective covalent inhibitors of JNK - PubMed [[pubmed.ncbi.nlm.nih.gov](https://pubmed.ncbi.nlm.nih.gov)]
- 9. IC50 - Wikipedia [[en.wikipedia.org](https://en.wikipedia.org)]
- 10. Understanding the Specificity of a Docking Interaction between JNK1 and the Scaffolding Protein JIP1 - PMC [[pmc.ncbi.nlm.nih.gov](https://pubmed.ncbi.nlm.nih.gov)]
- 11. [jddtonline.info](https://jddtonline.info) [[jddtonline.info](https://jddtonline.info)]
- To cite this document: BenchChem. [Structural Basis for JNK-1-IN-4 Selectivity: A Comparative Guide]. BenchChem, [2026]. [Online PDF]. Available at: [<https://www.benchchem.com/product/b15611922/docs#structural-basis-for-jnk-1-in-4-selectivity-a-comparative-guide>]

**Disclaimer & Data Validity:**

The information provided in this document is for Research Use Only (RUO) and is strictly not intended for diagnostic or therapeutic procedures. While BenchChem strives to provide accurate protocols, we make no warranties, express or implied, regarding the fitness of this product for every specific experimental setup.

**Technical Support:** The protocols provided are for reference purposes. Unsure if this reagent suits your experiment?

**Need Industrial/Bulk Grade?** [Request Custom Synthesis Quote](#)

## BenchChem

Our mission is to be the trusted global source of essential and advanced chemicals, empowering scientists and researchers to drive progress in science and industry.

### Contact

Address: 3281 E Guasti Rd  
Ontario, CA 91761, United States  
Phone: (601) 213-4426  
Email: [info@benchchem.com](mailto:info@benchchem.com)

[Contact our Ph.D. Support Team for a compatibility check](#)