

# Addressing variability in TC14012-induced signaling

**Author:** BenchChem Technical Support Team. **Date:** April 2026

## Compound of Interest

Compound Name: TC14012  
Cat. No.: B15611469

[Get Quote](#)

## Technical Support Center: TC14012 Signaling

This technical support center provides troubleshooting guidance and frequently asked questions (FAQs) for researchers utilizing **TC14012**. The information addresses potential sources of variability in experimental results and offers detailed protocols for key assays.

### Frequently Asked Questions (FAQs)

Q1: What is the primary mechanism of action for **TC14012**?

A1: **TC14012** is a peptidomimetic compound with a dual and opposing mechanism of action. It functions as a selective antagonist of the C-X-C chemokine receptor type 4 (CXCR4) and a potent agonist of the atypical chemokine receptor 3 (ACKR3), also known as CXCR7.[1] This dual activity is a critical factor to consider when designing experiments and interpreting results.

Q2: Why am I observing different or opposite effects of **TC14012** in different cell lines?

A2: The cellular response to **TC14012** is highly dependent on the relative expression levels of CXCR4 and CXCR7 in the cell line being used.[2][3]

- In cells predominantly expressing CXCR4, **TC14012** will act as an antagonist, inhibiting CXCL12-mediated signaling pathways.[4]
- In cells predominantly expressing CXCR7, **TC14012** will act as an agonist, stimulating  $\beta$ -arrestin recruitment and subsequent downstream signaling, such as Erk 1/2 phosphorylation. [2][3]
- In cells expressing both receptors, the net effect can be complex due to potential receptor heterodimerization and competing signaling pathways.[2]

Q3: My **TC14012** solution appears cloudy or precipitated. What should I do?

A3: Peptides, especially those with hydrophobic residues, can be challenging to dissolve. It is recommended to first attempt to dissolve a small amount of the peptide to test its solubility.[5] For **TC14012**, sterile, distilled water is a good initial solvent. If solubility issues persist, consider using a small amount of an organic solvent like DMSO, followed by slow dilution into your aqueous buffer while stirring.[5] Always store peptides at -20°C and avoid repeated freeze-thaw cycles to prevent degradation.[6]

Q4: I am not seeing the expected inhibition of CXCL12-induced migration in my CXCR4-expressing cells.

A4: Several factors could contribute to this observation:

- Peptide Integrity: Ensure the **TC14012** peptide has been stored correctly and has not degraded.
- Concentration: Verify the final concentration of **TC14012** in your assay. An insufficient concentration may not effectively compete with CXCL12.
- CXCR7 Expression: Even low levels of CXCR7 expression could lead to agonist effects that may counteract the CXCR4 antagonism in a migration assay. Characterize the CXCR4 and CXCR7 expression levels in your cell line.
- Assay Conditions: Optimize the incubation time and CXCL12 concentration in your migration assay.

Q5: What are the expected downstream signaling pathways activated by **TC14012** through CXCR7?

A5: **TC14012**, acting as a CXCR7 agonist, primarily signals through the  $\beta$ -arrestin pathway, as CXCR7 does not typically couple to G-proteins.[2][3][7] This leads to the activation of Mitogen-Activated Protein Kinases (MAPK), specifically Erk 1/2.[2][3] Additionally, in certain cell types like endothelial progenitor cells, **TC14012** has been shown to activate the Akt/eNOS signaling pathway.[8][9]

## Troubleshooting Guide

Observed Problem	Potential Cause	Recommended Solution
High variability between replicate experiments.	1. Inconsistent peptide concentration due to solubility issues. 2. Cell passage number affecting receptor expression. 3. Degradation of TC14012 stock solution.	1. Prepare fresh dilutions of TC14012 for each experiment. Ensure complete dissolution before use. 2. Use cells within a consistent and narrow passage number range. Regularly verify CXCR4/CXCR7 expression levels via qPCR or flow cytometry. 3. Aliquot stock solutions to minimize freeze-thaw cycles. Store at -20°C or below. <sup>[6]</sup>
TC14012 shows agonistic effects in a supposedly CXCR4-only system.	1. Undetected endogenous CXCR7 expression. 2. Off-target effects at high concentrations.	1. Use a sensitive method like qPCR or a validated antibody for Western blot or flow cytometry to confirm the absence of CXCR7. Consider using a cell line with confirmed CXCR7 knockout. 2. Perform a dose-response curve to determine the optimal concentration range for CXCR4 antagonism.
Inconsistent results in $\beta$ -arrestin recruitment assays.	1. Low transfection efficiency of receptor or biosensor constructs. 2. Suboptimal ligand concentration. 3. Issues with the BRET or other detection reagents.	1. Optimize transfection protocols and verify expression levels of all components. 2. Titrate TC14012 to determine the EC <sub>50</sub> for $\beta$ -arrestin recruitment in your specific cell system. 3. Follow the manufacturer's instructions for the assay reagents and ensure proper instrument setup.

---

Difficulty reproducing published IC50 or EC50 values.	1. Differences in experimental conditions (e.g., cell line, serum concentration, incubation time). 2. Different assay formats being used. 3. Purity and handling of the peptide.	1. Carefully replicate the experimental conditions of the original publication. 2. Be aware that different assay technologies (e.g., BRET vs. functional assays like migration) can yield different potency values. 3. Use highly purified TC14012 (>95%) and follow proper solubility and storage protocols.[6][10]
---	--	--

---

## Quantitative Data Summary

The following table summarizes the reported potency values for **TC14012** and related compounds.

Compound	Target Receptor	Assay Type	Potency	Reference
TC14012	CXCR4	Antagonist Activity	IC50: 19.3 nM	[1][11]
TC14012	CXCR7	$\beta$ -arrestin 2 Recruitment (BRET)	EC50: 350 nM	[1][2][3]
CXCL12	CXCR7	$\beta$ -arrestin 2 Recruitment (BRET)	EC50: 30 nM	[2][3]
AMD3100	CXCR7	$\beta$ -arrestin 2 Recruitment (BRET)	EC50: 140 $\mu$ M	[2][3]

---

## Experimental Protocols

## $\beta$ -Arrestin Recruitment Assay using Bioluminescence Resonance Energy Transfer (BRET)

Objective: To quantify the recruitment of  $\beta$ -arrestin to CXCR7 upon stimulation with **TC14012**.

Materials:

- HEK293 cells (or other suitable cell line with low endogenous CXCR4/CXCR7 expression)
- Expression vectors for CXCR7 tagged with a BRET donor (e.g., Renilla Luciferase - RLuc)
- Expression vector for  $\beta$ -arrestin-2 tagged with a BRET acceptor (e.g., a fluorescent protein like YFP or GFP)
- Transfection reagent
- Cell culture medium and supplements
- **TC14012**
- BRET substrate (e.g., coelenterazine h)
- BRET-compatible microplate reader

Procedure:

- Co-transfect HEK293 cells with the CXCR7-RLuc and  $\beta$ -arrestin-2-YFP expression vectors.
- Plate the transfected cells in a white, clear-bottom 96-well plate and culture for 24-48 hours.
- Prepare a serial dilution of **TC14012** in assay buffer (e.g., HBSS).
- Wash the cells with assay buffer.
- Add the **TC14012** dilutions to the respective wells and incubate at 37°C for 15-30 minutes.
- Add the BRET substrate to each well according to the manufacturer's instructions.

- Immediately measure the luminescence at the donor and acceptor emission wavelengths using a BRET-compatible plate reader.
- Calculate the BRET ratio (acceptor emission / donor emission).
- Plot the BRET ratio against the log of the **TC14012** concentration and fit the data to a sigmoidal dose-response curve to determine the EC50.

## Erk 1/2 Phosphorylation Assay via Western Blot

Objective: To determine the effect of **TC14012** on Erk 1/2 phosphorylation downstream of CXCR7 activation.

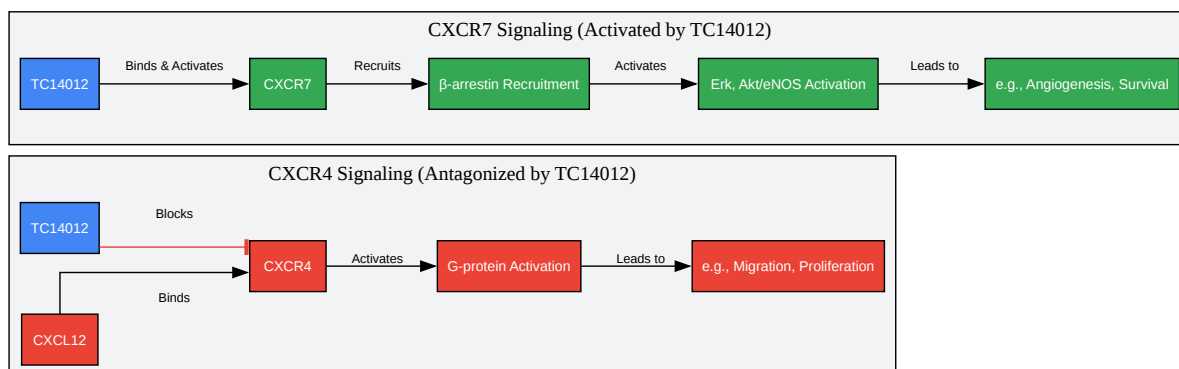
Materials:

- U373 glioma cells (express endogenous CXCR7 but not CXCR4) or another suitable cell line.[2]
- Cell culture medium and supplements
- **TC14012**
- Lysis buffer (e.g., RIPA buffer with protease and phosphatase inhibitors)
- BCA protein assay kit
- SDS-PAGE gels and running buffer
- Transfer buffer and PVDF membrane
- Blocking buffer (e.g., 5% BSA or non-fat milk in TBST)
- Primary antibodies: anti-phospho-Erk1/2 (p44/42 MAPK), anti-total-Erk1/2
- HRP-conjugated secondary antibody
- Chemiluminescent substrate
- Imaging system

#### Procedure:

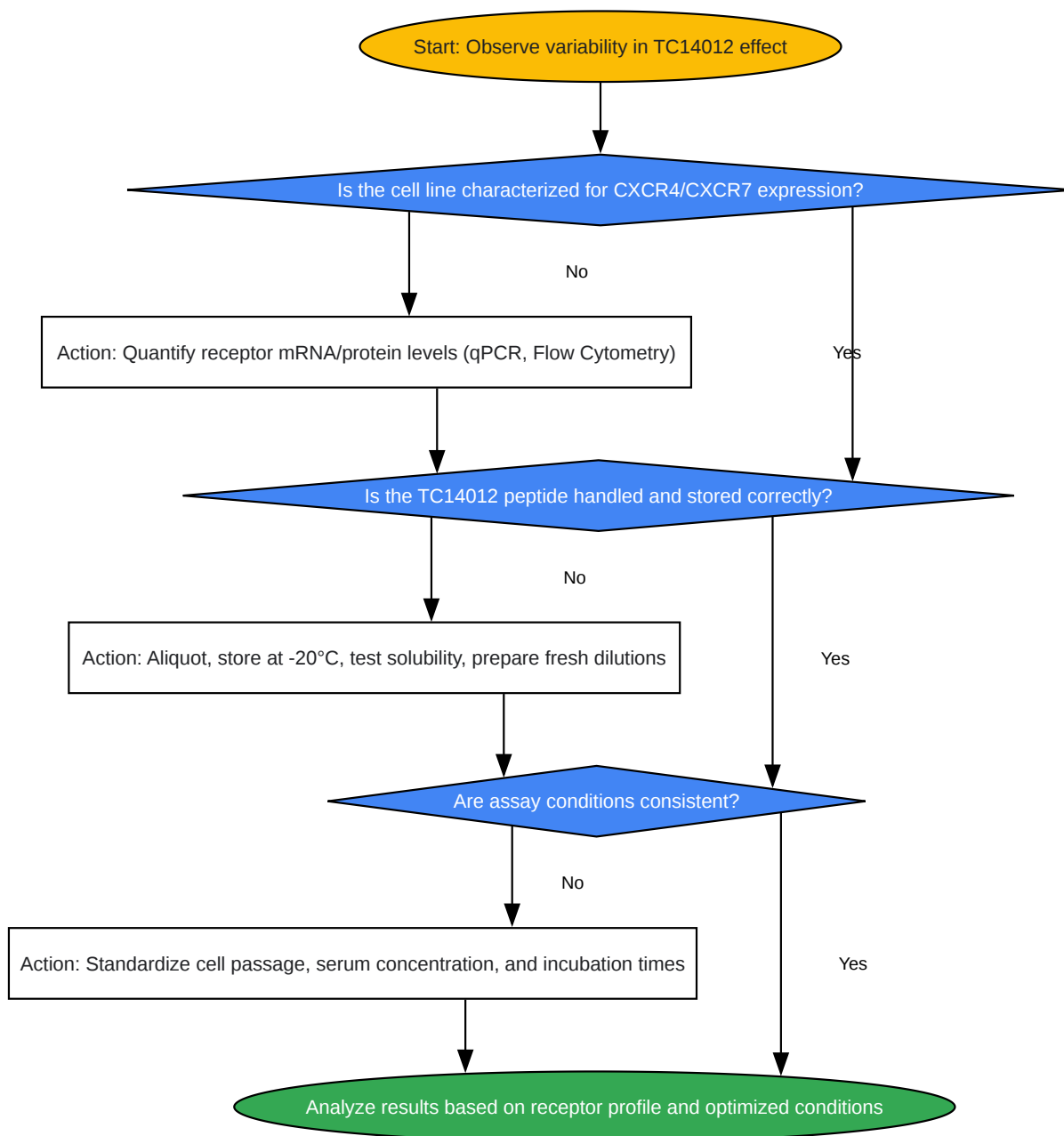
- Culture U373 cells to 80-90% confluency.
- Serum-starve the cells for 4-6 hours prior to treatment.
- Treat the cells with various concentrations of **TC14012** for different time points (e.g., 5, 15, 30, 60 minutes). Include a vehicle control.
- Wash the cells with ice-cold PBS and lyse them on ice.
- Clarify the lysates by centrifugation and determine the protein concentration.
- Denature equal amounts of protein from each sample by boiling in Laemmli buffer.
- Separate the proteins by SDS-PAGE and transfer them to a PVDF membrane.
- Block the membrane for 1 hour at room temperature.
- Incubate the membrane with the anti-phospho-Erk1/2 antibody overnight at 4°C.
- Wash the membrane and incubate with the HRP-conjugated secondary antibody for 1 hour at room temperature.
- Detect the signal using a chemiluminescent substrate and an imaging system.
- Strip the membrane and re-probe with the anti-total-Erk1/2 antibody as a loading control.
- Quantify the band intensities and normalize the phospho-Erk signal to the total-Erk signal.

## Visualizations



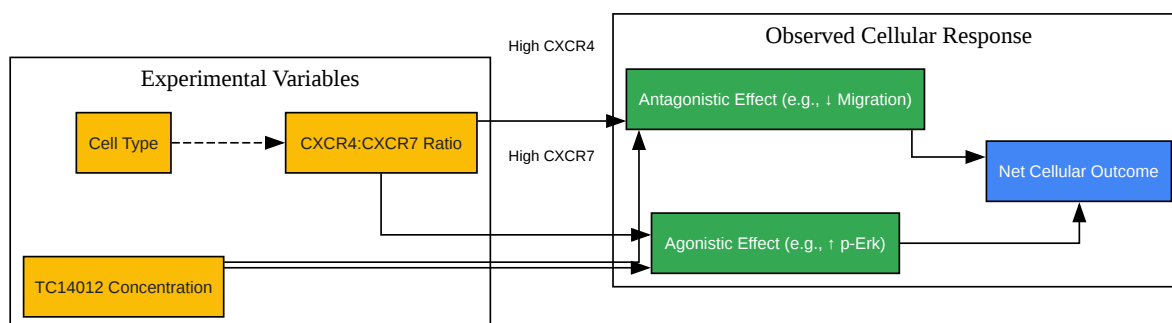
[Click to download full resolution via product page](#)

Caption: Dual signaling pathways of **TC14012**.



[Click to download full resolution via product page](#)

Caption: Troubleshooting workflow for **TC14012** variability.



[Click to download full resolution via product page](#)

Caption: Factors influencing **TC14012** cellular response.

### Need Custom Synthesis?

BenchChem offers custom synthesis for rare earth carbides and specific isotopic labeling.

Email: [info@benchchem.com](mailto:info@benchchem.com) or [Request Quote Online](#).

## References

- 1. [medchemexpress.com](https://www.medchemexpress.com) [medchemexpress.com]
- 2. The Peptidomimetic CXCR4 Antagonist TC14012 Recruits  $\beta$ -Arrestin to CXCR7: ROLES OF RECEPTOR DOMAINS - PMC [pmc.ncbi.nlm.nih.gov]
- 3. The peptidomimetic CXCR4 antagonist TC14012 recruits beta-arrestin to CXCR7: roles of receptor domains - PubMed [pubmed.ncbi.nlm.nih.gov]
- 4. Recent Advances in CXCL12/CXCR4 Antagonists and Nano-Based Drug Delivery Systems for Cancer Therapy - PMC [pmc.ncbi.nlm.nih.gov]
- 5. [benchchem.com](https://www.benchchem.com) [benchchem.com]
- 6. [genscript.com](https://www.genscript.com) [genscript.com]
- 7. TC 14012 | CAS:368874-34-4 | CXCR4 antagonist; ACKR3 (CXCR7) agonist | High Purity | Manufacturer BioCrick [biocrick.com]

- [8. CXCR7 agonist TC14012 improves angiogenic function of endothelial progenitor cells via activating Akt/eNOS pathway and promotes ischemic angiogenesis in diabetic limb ischemia - PMC \[pmc.ncbi.nlm.nih.gov\]](#)
- [9. CXCR7 Agonist TC14012 Improves Angiogenic Function of Endothelial Progenitor Cells via Activating Akt/eNOS Pathway and Promotes Ischemic Angiogenesis in Diabetic Limb Ischemia - PubMed \[pubmed.ncbi.nlm.nih.gov\]](#)
- [10. TC 14012, Peptidomimetic CXCR4 antagonist \(ab230364\) | Abcam \[abcam.com\]](#)
- [11. medchemexpress.com \[medchemexpress.com\]](#)
- To cite this document: BenchChem. [Addressing variability in TC14012-induced signaling]. BenchChem, [2026]. [Online PDF]. Available at: [\[https://www.benchchem.com/product/b15611469/docs#addressing-variability-in-tc14012-induced-signaling\]](https://www.benchchem.com/product/b15611469/docs#addressing-variability-in-tc14012-induced-signaling)

---

#### Disclaimer & Data Validity:

The information provided in this document is for Research Use Only (RUO) and is strictly not intended for diagnostic or therapeutic procedures. While BenchChem strives to provide accurate protocols, we make no warranties, express or implied, regarding the fitness of this product for every specific experimental setup.

**Technical Support:** The protocols provided are for reference purposes. Unsure if this reagent suits your experiment?

**Need Industrial/Bulk Grade?** [Request Custom Synthesis Quote](#)

## BenchChem

Our mission is to be the trusted global source of essential and advanced chemicals, empowering scientists and researchers to drive progress in science and industry.

#### Contact

Address: 3281 E Guasti Rd

Ontario, CA 91761, United States

Phone: (601) 213-4426

Email: [info@benchchem.com](mailto:info@benchchem.com)

Contact our Ph.D. Support Team for a compatibility check