

Technical Support Center: Optimizing SU5402 Incubation Time

Author: BenchChem Technical Support Team. **Date:** April 2026

Compound of Interest

Compound Name: SU5201
Cat. No.: B15610624

[Get Quote](#)

This technical support center provides troubleshooting guidance and frequently asked questions (FAQs) for researchers, scientists, and drug development professionals working with SU5402. The focus is on adjusting incubation times to achieve optimal experimental outcomes.

Frequently Asked Questions (FAQs)

Q1: What is the recommended starting incubation time for SU5402?

A1: The optimal incubation time for SU5402 is highly dependent on the specific cell line, its proliferation rate, the concentration of SU5402 being used, and the biological endpoint being measured. For initial experiments, a 24-hour incubation period is a common starting point. However, it is crucial to perform a time-course experiment to determine the ideal incubation time for your specific experimental setup.

Q2: My experimental results with SU5402 are not consistent. Could the incubation time be the issue?

A2: Inconsistent results can certainly be attributed to variations in incubation time. Shorter-than-optimal incubation may not allow for the full effect of the inhibitor to manifest, while excessively long incubation periods could lead to secondary, off-target effects or cytotoxicity,

confounding your results. Standardizing the incubation time across all experiments is critical for reproducibility.

Q3: How do I design an experiment to determine the optimal incubation time for SU5402?

A3: A time-course experiment is the most effective method. This involves treating your cells with a fixed concentration of SU5402 (typically the IC50 concentration if known, or a concentration in the expected effective range) and measuring the desired outcome at several time points (e.g., 6, 12, 24, 48, and 72 hours). The optimal incubation time is generally the earliest time point at which the maximum biological effect is observed and plateaus.

Q4: I am not observing any effect with SU5402. What should I check regarding the incubation time?

A4: If you are not seeing an effect, the incubation time may be too short. The inhibitor needs sufficient time to enter the cells and interact with its target. Consider extending the incubation period based on the results of a time-course experiment. Also, verify the concentration of SU5402 used and the viability of your cells.

Troubleshooting Guide

Problem	Possible Cause	Suggested Solution
High variability between replicate wells	Inconsistent cell seeding or uneven drug distribution.	Ensure a single-cell suspension before seeding. Mix the plate gently after adding SU5402.
Edge effects on the microplate.	Avoid using the outer wells of the plate for experimental samples. Fill them with media or a buffer to maintain humidity.	
Lower than expected potency (high IC50 value)	Incubation time is too short for the drug to exert its full effect.	Perform a time-course experiment to identify the optimal incubation duration.
The drug has degraded.	Ensure proper storage of the SU5402 stock solution. Prepare fresh dilutions for each experiment.	
High background signal or cell death in control wells	Contamination of cell culture.	Regularly test for mycoplasma and other contaminants. Practice aseptic technique.
The vehicle (e.g., DMSO) concentration is too high.	Ensure the final vehicle concentration is consistent across all wells and is below the cytotoxic threshold for your cell line (typically $\leq 0.1\%$).	
Unexpected or off-target effects	Incubation time is too long, leading to secondary effects.	Refer to your time-course experiment data and select the earliest time point that gives a maximal and stable response.
The concentration of SU5402 is too high.	Perform a dose-response experiment to identify the optimal concentration range.	

Experimental Protocols

Protocol 1: Time-Course Experiment to Determine Optimal Incubation Time

This protocol outlines the steps to identify the optimal incubation period for SU5402 in your specific cell-based assay.

- **Cell Seeding:** Seed your cells in a 96-well plate at a predetermined density and allow them to adhere overnight in a humidified incubator at 37°C with 5% CO₂.
- **Drug Preparation:** Prepare a 2X concentrated stock solution of SU5402 in a cell culture medium. The concentration should be based on prior knowledge or a pilot experiment (e.g., 2X the expected IC₅₀).
- **Treatment:** Add an equal volume of the 2X SU5402 stock solution to the designated wells. For control wells, add an equal volume of the vehicle control (e.g., medium with the same concentration of DMSO).
- **Incubation:** Return the plate to the incubator.
- **Endpoint Measurement:** At each designated time point (e.g., 6, 12, 24, 48, 72 hours), perform your chosen assay to measure the biological response (e.g., cell viability, protein phosphorylation).
- **Data Analysis:** Plot the measured response against time. The optimal incubation time is typically the point at which the effect of the drug reaches a plateau.

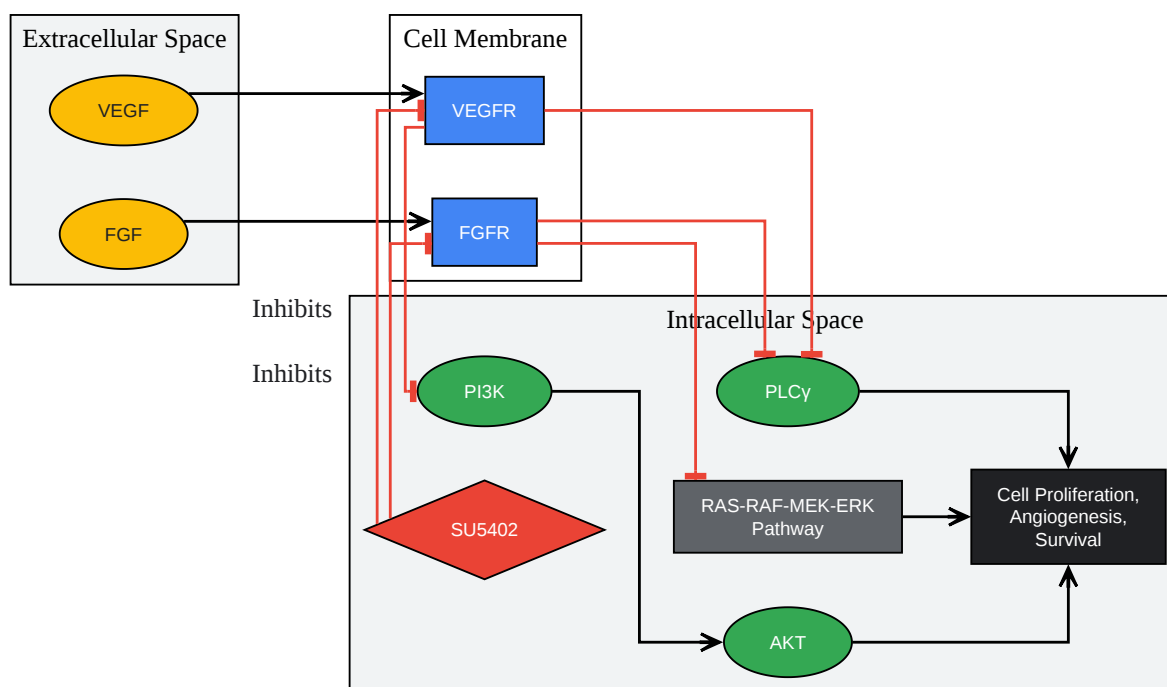
Protocol 2: Dose-Response Experiment with Optimized Incubation Time

Once the optimal incubation time is determined, this protocol can be used to assess the potency of SU5402.

- **Cell Seeding:** Follow step 1 from Protocol 1.

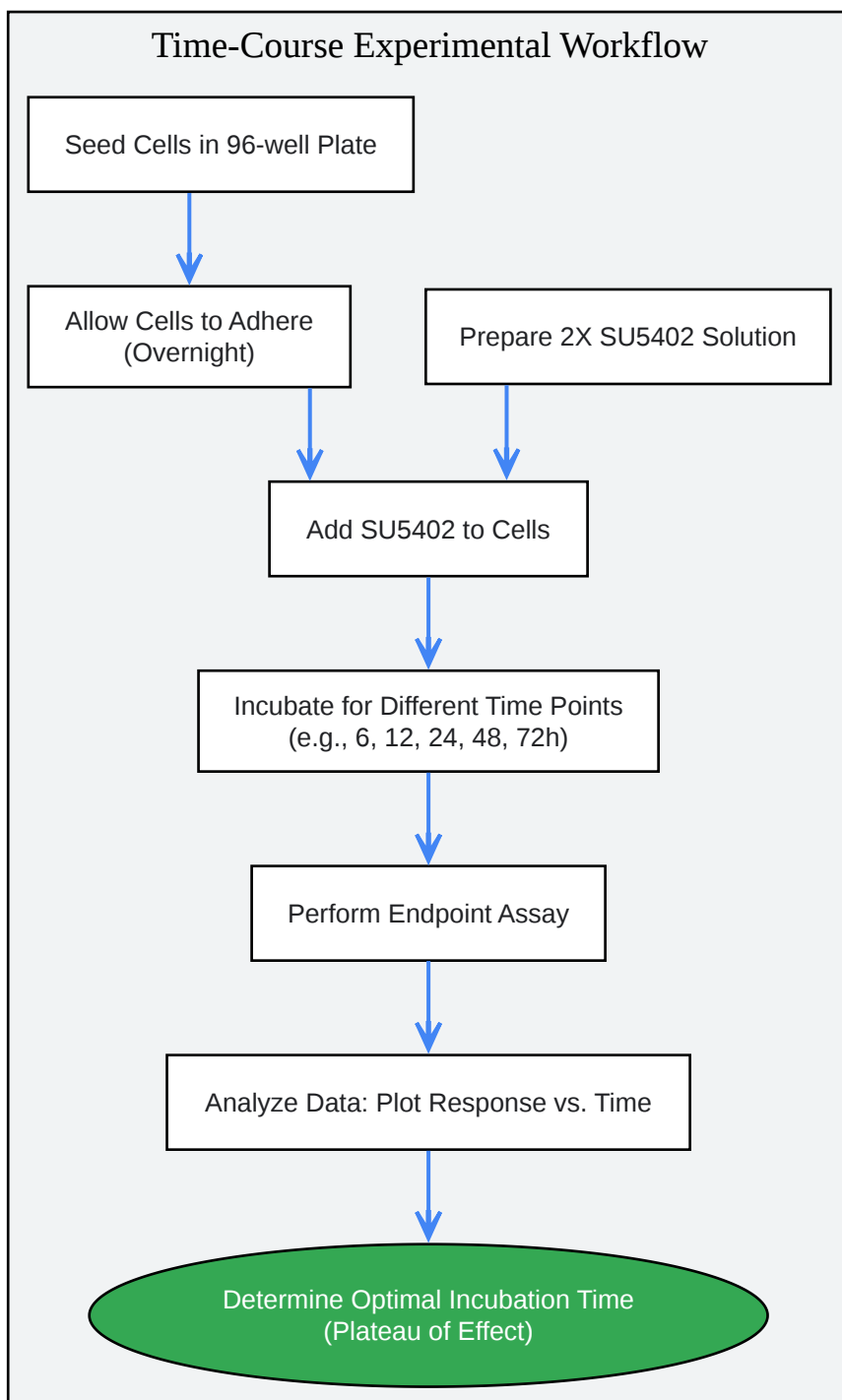
- Drug Preparation: Prepare a series of 2X stock solutions of SU5402 in a serial dilution format (e.g., 10-point, 3-fold dilutions).
- Treatment: Add the different concentrations of SU5402 to the wells as described in Protocol 1.
- Incubation: Incubate the plate for the predetermined optimal incubation time.
- Endpoint Measurement: Perform your chosen assay.
- Data Analysis: Plot the response against the log of the SU5402 concentration and fit the data to a four-parameter logistic curve to determine the IC50 value.

Visualizations



[Click to download full resolution via product page](#)

Caption: SU5402 inhibits VEGFR and FGFR signaling pathways.



[Click to download full resolution via product page](#)

Caption: Workflow for determining optimal SU5402 incubation time.

- To cite this document: BenchChem. [Technical Support Center: Optimizing SU5402 Incubation Time]. BenchChem, [2026]. [Online PDF]. Available at: [<https://www.benchchem.com/product/b15610624/docs#technical-support-center-optimizing-su5402-incubation-time>]

Disclaimer & Data Validity:

The information provided in this document is for Research Use Only (RUO) and is strictly not intended for diagnostic or therapeutic procedures. While BenchChem strives to provide accurate protocols, we make no warranties, express or implied, regarding the fitness of this product for every specific experimental setup.

Technical Support: The protocols provided are for reference purposes. Unsure if this reagent suits your experiment?

Need Industrial/Bulk Grade? [Request Custom Synthesis Quote](#)

BenchChem

Our mission is to be the trusted global source of essential and advanced chemicals, empowering scientists and researchers to drive progress in science and industry.

Contact

Address: 3281 E Guasti Rd
Ontario, CA 91761, United States
Phone: (601) 213-4426
Email: info@benchchem.com

[Contact our Ph.D. Support Team for a compatibility check](#)