

Hdac3-IN-6 Versus Genetic Knockdown of HDAC3: A Comparative Guide

Author: BenchChem Technical Support Team. **Date:** April 2026

Compound of Interest

Compound Name: *Hdac3-IN-6*

Cat. No.: *B15610433*

[Get Quote](#)

For researchers, scientists, and drug development professionals, understanding the nuances between chemical inhibition and genetic knockdown of a target is crucial for experimental design and interpretation. This guide provides an objective comparison of **Hdac3-IN-6**, a selective chemical inhibitor, and genetic knockdown of Histone Deacetylase 3 (HDAC3), supported by experimental data, detailed protocols, and pathway visualizations.

Executive Summary

Both **Hdac3-IN-6** and genetic knockdown (siRNA/shRNA) are powerful tools for studying the function of HDAC3, a key epigenetic regulator involved in a multitude of cellular processes, including gene expression, cell cycle control, and metabolism. **Hdac3-IN-6** offers a rapid and reversible method to inhibit the enzymatic activity of HDAC3, while genetic knockdown leads to a more sustained depletion of the HDAC3 protein, affecting both its enzymatic and non-enzymatic functions. The choice between these two approaches depends on the specific research question, the desired duration of HDAC3 depletion, and the potential for off-target effects. This guide aims to provide the necessary information to make an informed decision.

At a Glance: Hdac3-IN-6 vs. Genetic Knockdown of HDAC3

Feature	Hdac3-IN-6	Genetic Knockdown of HDAC3 (siRNA/shRNA)
Mechanism of Action	Reversible, competitive inhibition of the HDAC3 catalytic site.	Post-transcriptional gene silencing leading to mRNA degradation and reduced protein expression.
Primary Effect	Inhibition of HDAC3 deacetylase activity.	Depletion of the entire HDAC3 protein, affecting both catalytic and non-catalytic functions.
Temporal Control	Rapid onset and reversal of inhibition upon addition or removal of the compound.	Slower onset (24-72 hours) and more sustained protein depletion.
Specificity	High selectivity for HDAC3 over other HDAC isoforms. ^[1] ^[2]	Highly specific to the HDAC3 mRNA sequence.
Potential Off-Target Effects	Can have off-target effects on other proteins, though designed for selectivity.	Can have off-target effects through unintended silencing of other genes with similar sequences.
Applications	Acute inhibition studies, validation of HDAC3 as a therapeutic target, in vivo studies.	Long-term loss-of-function studies, investigation of non-enzymatic roles of HDAC3.

Performance Data: A Quantitative Comparison

The following tables summarize quantitative data from studies directly comparing the effects of HDAC3 chemical inhibitors and genetic knockdown.

Table 1: Effects on Gene Expression

Gene Target	Cell Line	Method of Inhibition/Knockdown	Fold Change in Expression	Reference
PD-L1	Colorectal Cancer Cells	Hdac3-IN-6 (dose-dependent)	Increased	[1]
TNF- α	RAW264.7 Macrophages	HDAC3 siRNA	Decreased	[3]
IL-6	RAW264.7 Macrophages	HDAC3 siRNA	Decreased	[3]
Pro-inflammatory cytokines (IL-6, IL-1 β)	HK-2 cells	lenti-shHDAC3	Decreased	[4]
Profibrotic cytokine (TGF- β)	HK-2 cells	lenti-shHDAC3	Decreased	[4]
Genes in Wnt signaling pathway	SW480 colon cancer cells	HDAC3 shRNA	Both up- and down-regulation	[5]
Vitamin D receptor	SW480 and HCT116 cells	HDAC3 shRNA	Enhanced	[5]

Table 2: Effects on Cellular Phenotypes

Phenotype	Cell Line/Model	Method of Inhibition/Knockdown	Observed Effect	Reference
Apoptosis	Colorectal Cancer Cells	Hdac3-IN-6	More pronounced apoptosis	[1]
Cell Viability	CREBBP-mutant DLBCL cells	BRD3308 (HDAC3 inhibitor)	Greater sensitivity (decreased viability)	[6]
Cell Viability	CREBBP-mutant DLBCL cells	HDAC3 shRNA	Preference for limiting cell proliferation	[6]
Cell Viability	HK-2 cells	lenti-shHDAC3	Reversed inhibition of cell viability	[4]
Trinucleotide Repeat Expansions	Human SVG-A cells	HDAC inhibitor 4b	70-77% suppression	[7]
Trinucleotide Repeat Expansions	Human SVG-A cells	HDAC3 siRNA	76% reduction	[7]
Neurite Outgrowth	Murine spinal neurons	siRNA-mediated knockdown	Promoted	[8]

Experimental Protocols

Protocol 1: Chemical Inhibition of HDAC3 using Hdac3-IN-6

Objective: To acutely inhibit HDAC3 deacetylase activity in cultured cells.

Materials:

- **Hdac3-IN-6** (powder)
- Dimethyl sulfoxide (DMSO)
- Cell culture medium appropriate for the cell line
- Cultured cells of interest

Procedure:

- **Reconstitution:** Prepare a stock solution of **Hdac3-IN-6** by dissolving the powder in DMSO to a concentration of 10 mM. Store the stock solution at -20°C.
- **Cell Seeding:** Seed cells in appropriate culture vessels and allow them to adhere and reach the desired confluency (typically 70-80%).
- **Treatment:** Dilute the **Hdac3-IN-6** stock solution in pre-warmed cell culture medium to the desired final concentration. A typical starting concentration range is 1-10 µM. A vehicle control (DMSO alone) at the same final concentration should be included.
- **Incubation:** Replace the existing cell culture medium with the medium containing **Hdac3-IN-6** or the vehicle control. Incubate the cells for the desired period (e.g., 4, 24, or 48 hours) under standard cell culture conditions (37°C, 5% CO₂).
- **Downstream Analysis:** Following incubation, harvest the cells for downstream applications such as Western blotting for acetylated proteins, gene expression analysis (qRT-PCR or RNA-seq), or cell viability assays.

Protocol 2: Genetic Knockdown of HDAC3 using siRNA

Objective: To transiently reduce the expression of HDAC3 protein in cultured cells.

Materials:

- Validated siRNA targeting HDAC3 mRNA
- Non-targeting (scrambled) control siRNA

- Lipid-based transfection reagent (e.g., Lipofectamine RNAiMAX)
- Opti-MEM I Reduced Serum Medium
- Cultured cells of interest

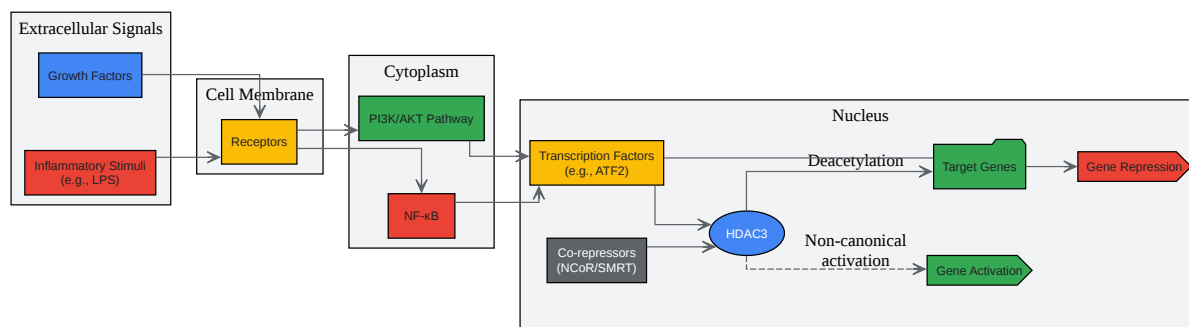
Procedure:

- **Cell Seeding:** The day before transfection, seed cells in antibiotic-free medium so that they will be 30-50% confluent at the time of transfection.
- **siRNA-Lipid Complex Formation:** a. Dilute the HDAC3 siRNA or control siRNA in Opti-MEM to a final concentration of 10-100 nM. b. In a separate tube, dilute the transfection reagent in Opti-MEM according to the manufacturer's instructions. c. Combine the diluted siRNA and diluted transfection reagent, mix gently, and incubate at room temperature for 5-20 minutes to allow for complex formation.
- **Transfection:** Add the siRNA-lipid complexes to the cells.
- **Incubation:** Incubate the cells for 24-72 hours under standard cell culture conditions. The optimal incubation time should be determined empirically to achieve maximal knockdown.
- **Validation of Knockdown:** Harvest the cells and assess the efficiency of HDAC3 knockdown by Western blotting or qRT-PCR.
- **Phenotypic Analysis:** Perform desired functional assays to assess the consequences of HDAC3 depletion.

Visualizing the Landscape: Signaling Pathways and Workflows

HDAC3 in Cellular Signaling

HDAC3 is a critical node in several signaling pathways, often acting as a transcriptional co-repressor. Its inhibition or knockdown can therefore have widespread effects on cellular function.

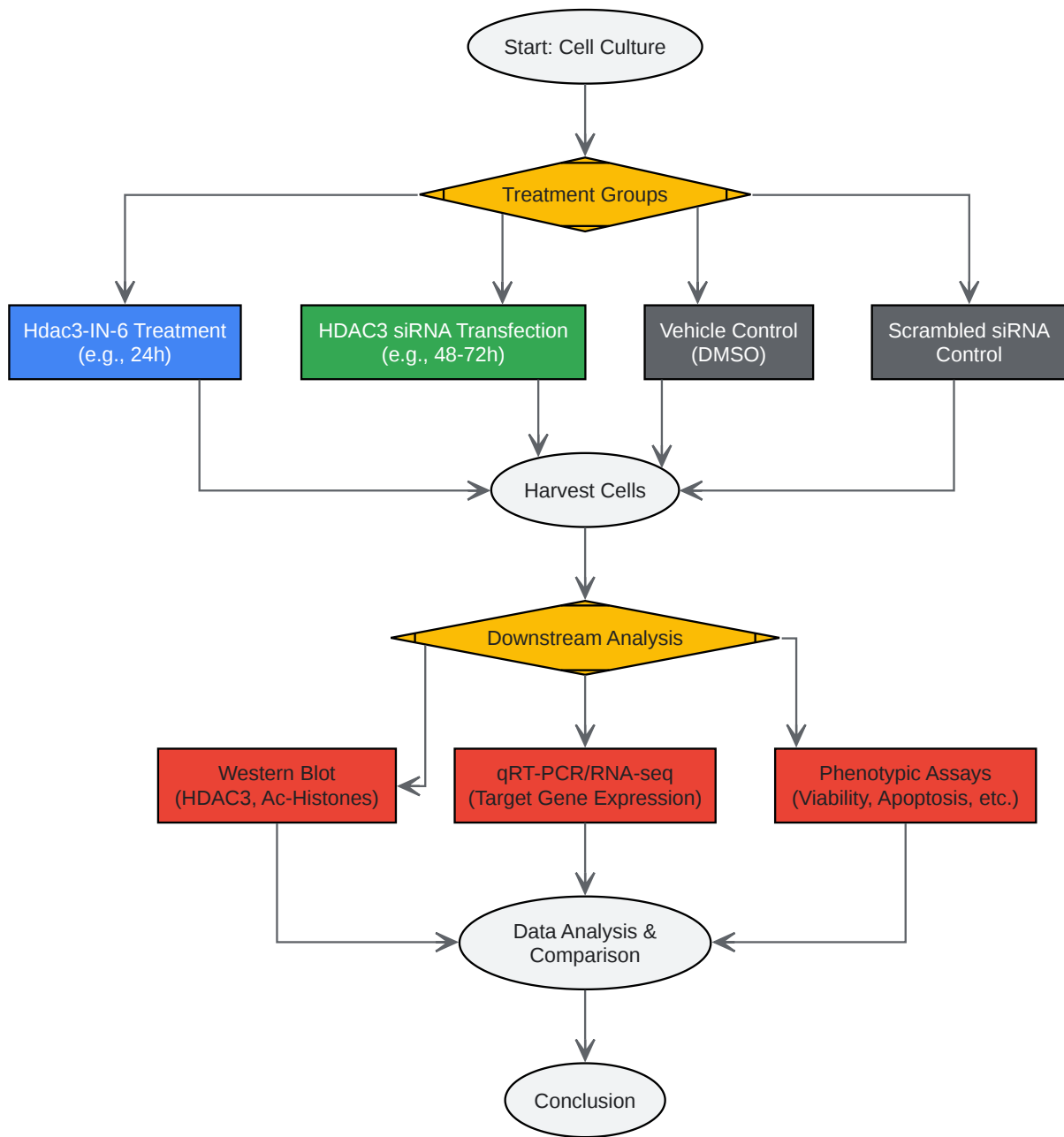


[Click to download full resolution via product page](#)

Caption: Simplified HDAC3 signaling network.

Experimental Workflow: Comparing Hdac3-IN-6 and HDAC3 Knockdown

The following diagram outlines a typical experimental workflow for comparing the effects of **Hdac3-IN-6** and genetic knockdown of HDAC3.



[Click to download full resolution via product page](#)

Caption: Comparative experimental workflow.

Conclusion

The decision to use **Hdac3-IN-6** or genetic knockdown of HDAC3 should be guided by the specific experimental goals. **Hdac3-IN-6** is ideal for studying the acute effects of HDAC3 enzymatic inhibition and for pharmacological validation studies. In contrast, genetic knockdown provides a means to investigate the long-term consequences of HDAC3 depletion, including its non-enzymatic functions. For comprehensive studies, employing both methods can provide complementary and corroborating evidence, strengthening the overall conclusions about the role of HDAC3 in the biological system under investigation. As with any experimental approach, careful optimization and appropriate controls are paramount to ensure the validity and reproducibility of the findings.

Need Custom Synthesis?

BenchChem offers custom synthesis for rare earth carbides and specific isotopic labeling.

Email: info@benchchem.com or [Request Quote Online](#).

References

- [1. medchemexpress.com \[medchemexpress.com\]](https://www.medchemexpress.com)
- [2. medchemexpress.com \[medchemexpress.com\]](https://www.medchemexpress.com)
- [3. researchgate.net \[researchgate.net\]](https://www.researchgate.net)
- [4. researchgate.net \[researchgate.net\]](https://www.researchgate.net)
- [5. HDAC3 impacts multiple oncogenic pathways in colon cancer cells with effects on Wnt and vitamin D signaling - PMC \[pmc.ncbi.nlm.nih.gov\]](https://pubmed.ncbi.nlm.nih.gov/31111111/)
- [6. aacrjournals.org \[aacrjournals.org\]](https://aacrjournals.org)
- [7. researchgate.net \[researchgate.net\]](https://www.researchgate.net)
- [8. Neuronal HDAC3 knockdown promotes propriospinal detour pathway formation and locomotor recovery in a mouse model of spinal cord injury - PubMed \[pubmed.ncbi.nlm.nih.gov\]](https://pubmed.ncbi.nlm.nih.gov/31111111/)
- To cite this document: BenchChem. [Hdac3-IN-6 Versus Genetic Knockdown of HDAC3: A Comparative Guide]. BenchChem, [2026]. [Online PDF]. Available at: [\[https://www.benchchem.com/product/b15610433/docs#hdac3-in-6-versus-genetic-knockdown-of-hdac3-a-comparative-guide\]](https://www.benchchem.com/product/b15610433/docs#hdac3-in-6-versus-genetic-knockdown-of-hdac3-a-comparative-guide)

Disclaimer & Data Validity:

The information provided in this document is for Research Use Only (RUO) and is strictly not intended for diagnostic or therapeutic procedures. While BenchChem strives to provide accurate protocols, we make no warranties, express or implied, regarding the fitness of this product for every specific experimental setup.

Technical Support: The protocols provided are for reference purposes. Unsure if this reagent suits your experiment?

Need Industrial/Bulk Grade? [Request Custom Synthesis Quote](#)

BenchChem

Our mission is to be the trusted global source of essential and advanced chemicals, empowering scientists and researchers to drive progress in science and industry.

Contact

Address: 3281 E Guasti Rd
Ontario, CA 91761, United States
Phone: (601) 213-4426
Email: info@benchchem.com

[Contact our Ph.D. Support Team for a compatibility check](#)