

Addressing potential toxicity of GB1908 at high concentrations

Author: BenchChem Technical Support Team. **Date:** April 2026

Compound of Interest

Compound Name: GB1908
Cat. No.: B15610762

[Get Quote](#)

Technical Support Center: GB1908

For Researchers, Scientists, and Drug Development Professionals

This technical support center provides guidance on the use of **GB1908**, a selective Galectin-1 inhibitor. The following information is intended to help researchers anticipate and troubleshoot potential issues during their experiments, with a focus on addressing the potential for toxicity at high concentrations.

Frequently Asked Questions (FAQs)

Q1: What is **GB1908** and what is its primary mechanism of action?

GB1908 is a selective and orally active small molecule inhibitor of Galectin-1, with K_i values of 57 nM and 72 nM for human and mouse Galectin-1, respectively. It exhibits over 50-fold selectivity for Galectin-1 over Galectin-3. **GB1908** functions by binding to the carbohydrate recognition domain (CRD) of Galectin-1, thereby inhibiting its activity. Galectin-1 is involved in various pro-tumorigenic processes, including T-cell apoptosis and the suppression of anti-tumor immunity. By inhibiting Galectin-1, **GB1908** can attenuate these effects.

Q2: I am observing unexpected or inconsistent results in my cell-based assays. What could be the cause?

Inconsistent results with small molecule inhibitors can arise from several factors:

- **Compound Solubility:** **GB1908**, like many small molecules, may have limited aqueous solubility. Precipitation of the compound at high concentrations can lead to inaccurate dosing and variability. Ensure the compound is fully dissolved in a suitable solvent, such as DMSO, before preparing final dilutions in your cell culture medium. It is crucial to keep the final DMSO concentration below a non-toxic level (typically <0.1%).
- **Off-Target Effects:** At high concentrations, small molecule inhibitors may interact with unintended targets, leading to phenotypes that are not related to the inhibition of Galectin-1. It is recommended to use the lowest effective concentration of **GB1908** to minimize the risk of off-target effects.
- **Cell Culture Conditions:** Factors such as cell density, passage number, and media composition can influence the cellular response to a compound. Maintaining consistent cell culture practices is essential for reproducible results.

Q3: What are the signs of potential cytotoxicity in my experiments?

Signs of cytotoxicity can include:

- A significant decrease in cell viability compared to vehicle-treated controls.
- Changes in cell morphology, such as rounding, detachment, or the appearance of apoptotic bodies.
- A reduction in metabolic activity, as measured by assays like MTT or MTS.
- Activation of cell death pathways, which can be assessed by measuring markers like caspase activity.

Q4: Is there any known toxicity data for **GB1908** at high concentrations?

Currently, there is limited publicly available data specifically detailing the toxicity of **GB1908** at high concentrations. Preclinical studies on other galectin inhibitors have suggested low basal toxicity in cell proliferation assays. However, it is crucial for researchers to determine the cytotoxic profile of **GB1908** in their specific experimental system. The protocols provided in this guide will assist in establishing a dose-response curve for cytotoxicity.

Troubleshooting Guides

Issue 1: Poor Solubility or Precipitation of **GB1908** in Aqueous Media

- Symptom: Visible precipitate in the culture medium after adding **GB1908**, or inconsistent results at higher concentrations.
- Troubleshooting Steps:
 - Optimize Stock Solution: Prepare a high-concentration stock solution of **GB1908** in 100% DMSO. Ensure complete dissolution by gentle warming or sonication if necessary. Store stock solutions at -20°C or -80°C in small aliquots to avoid repeated freeze-thaw cycles.
 - Serial Dilutions: Prepare intermediate dilutions of the DMSO stock in your cell culture medium. It is critical to add the **GB1908** stock solution to the medium with vigorous vortexing or mixing to facilitate dispersion and prevent immediate precipitation.
 - Final Solvent Concentration: Ensure the final concentration of DMSO in your assay is below the threshold for cellular toxicity (typically <0.1%). Run a vehicle control with the same final DMSO concentration to account for any solvent effects.
 - Solubility Testing: If solubility issues persist, consider performing a formal solubility test in your specific culture medium to determine the maximum soluble concentration.

Issue 2: High Background or Inconsistent Results in In Vitro Assays

- Symptom: High signal in no-enzyme or no-cell control wells, or significant variability between replicate wells.

- Troubleshooting Steps:
 - Compound Interference: Test for autofluorescence or colorimetric interference of **GB1908** at the wavelengths used in your assay. Run controls containing only the compound and assay reagents (without cells or the target enzyme).
 - Reagent Quality: Ensure all assay reagents are properly stored and within their expiration dates. Use high-purity water and reagents to prepare buffers.
 - Pipetting Accuracy: Use calibrated pipettes and proper pipetting techniques to ensure accurate and consistent dispensing of all reagents, especially for small volumes.
 - Plate Uniformity: Check for "edge effects" in microplates, where evaporation can lead to increased concentrations in the outer wells. Consider not using the outermost wells or filling them with sterile water or PBS to maintain humidity.

Experimental Protocols

Protocol 1: In Vitro Cytotoxicity Assessment using MTT Assay

This protocol provides a method to determine the concentration-dependent cytotoxicity of **GB1908**.

Materials:

- Target cells in culture
- **GB1908**
- DMSO (cell culture grade)
- 96-well clear flat-bottom plates
- MTT (3-(4,5-dimethylthiazol-2-yl)-2,5-diphenyltetrazolium bromide) solution (5 mg/mL in PBS)
- Solubilization solution (e.g., 10% SDS in 0.01 M HCl)

- Plate reader capable of measuring absorbance at 570 nm

Procedure:

- Cell Seeding: Seed cells into a 96-well plate at a predetermined optimal density and allow them to adhere overnight.
- Compound Preparation: Prepare a 10 mM stock solution of **GB1908** in DMSO. Perform serial dilutions of the stock solution in cell culture medium to achieve the desired final concentrations (e.g., 0.1, 1, 10, 50, 100 μ M). Include a vehicle control (medium with the same final DMSO concentration as the highest **GB1908** concentration).
- Cell Treatment: Remove the old medium from the cells and add 100 μ L of the medium containing the different concentrations of **GB1908** or vehicle control.
- Incubation: Incubate the plate for the desired exposure time (e.g., 24, 48, or 72 hours) at 37°C in a humidified incubator with 5% CO₂.
- MTT Addition: After incubation, add 10 μ L of MTT solution to each well and incubate for 2-4 hours at 37°C, or until purple formazan crystals are visible.
- Solubilization: Add 100 μ L of solubilization solution to each well and mix thoroughly to dissolve the formazan crystals.
- Absorbance Measurement: Measure the absorbance at 570 nm using a microplate reader.
- Data Analysis: Calculate the percentage of cell viability for each concentration relative to the vehicle control. Plot the cell viability against the log of the **GB1908** concentration to determine the IC₅₀ value for cytotoxicity.

Protocol 2: Galectin-1 Inhibition Assay (Jurkat Cell Apoptosis Model)

This protocol assesses the ability of **GB1908** to inhibit Galectin-1-induced apoptosis in Jurkat T-cells.

Materials:

- Jurkat cells
- Recombinant human Galectin-1
- **GB1908**
- RPMI-1640 medium supplemented with 10% FBS
- Annexin V-FITC/Propidium Iodide (PI) apoptosis detection kit
- Flow cytometer

Procedure:

- Cell Culture: Culture Jurkat cells in RPMI-1640 medium supplemented with 10% FBS.
- Compound Pre-incubation: Seed Jurkat cells at a density of 1×10^6 cells/mL in a 24-well plate. Pre-incubate the cells with various concentrations of **GB1908** (e.g., 0.1, 1, 10 μ M) or vehicle control for 1 hour at 37°C.
- Galectin-1 Treatment: Add recombinant human Galectin-1 to the cell suspensions to a final concentration known to induce apoptosis (e.g., 20 μ g/mL). Include a control group with no Galectin-1 treatment.
- Incubation: Incubate the cells for 4-6 hours at 37°C.
- Apoptosis Staining: Harvest the cells and wash them with cold PBS. Resuspend the cells in 1X Annexin V binding buffer. Add Annexin V-FITC and PI according to the manufacturer's protocol and incubate in the dark for 15 minutes at room temperature.
- Flow Cytometry Analysis: Analyze the stained cells by flow cytometry. Quantify the percentage of apoptotic cells (Annexin V positive) in each treatment group.
- Data Analysis: Compare the percentage of apoptotic cells in the **GB1908**-treated groups to the group treated with Galectin-1 alone to determine the inhibitory effect of **GB1908**.

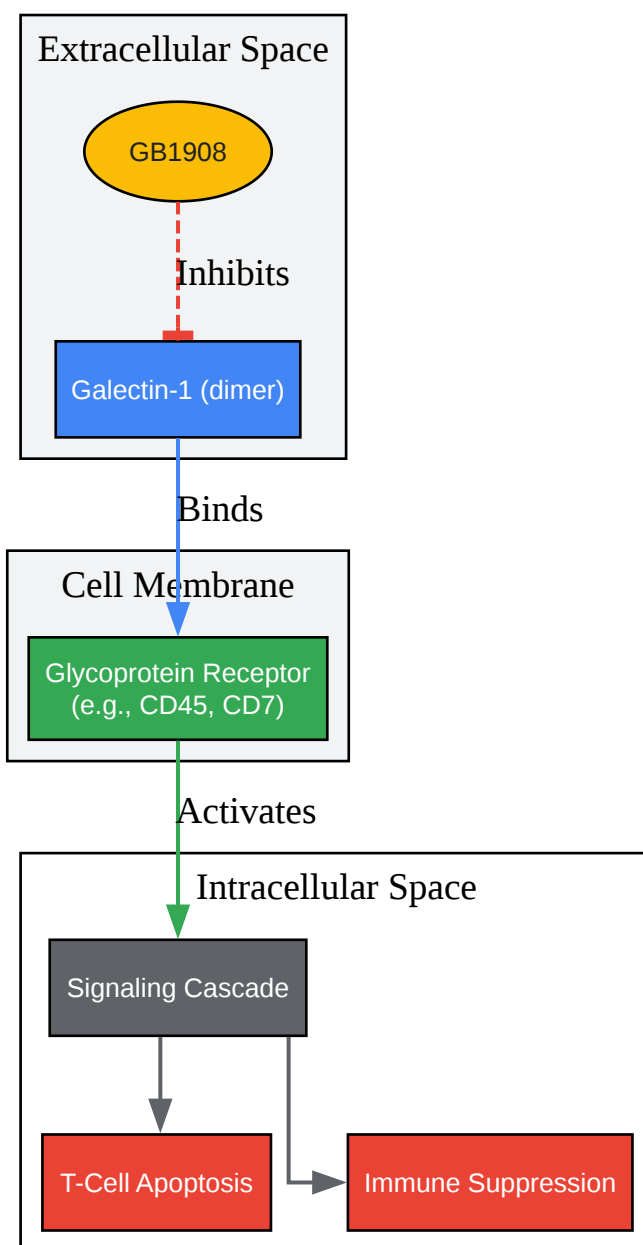
Data Presentation

Table 1: Hypothetical Cytotoxicity Data for **GB1908** in A549 Cells (72h Incubation)

GB1908 Concentration (μM)	% Cell Viability (Mean \pm SD)
0 (Vehicle Control)	100 \pm 5.2
1	98.5 \pm 4.8
10	95.1 \pm 6.1
50	75.3 \pm 7.9
100	48.2 \pm 8.5
200	22.7 \pm 6.3

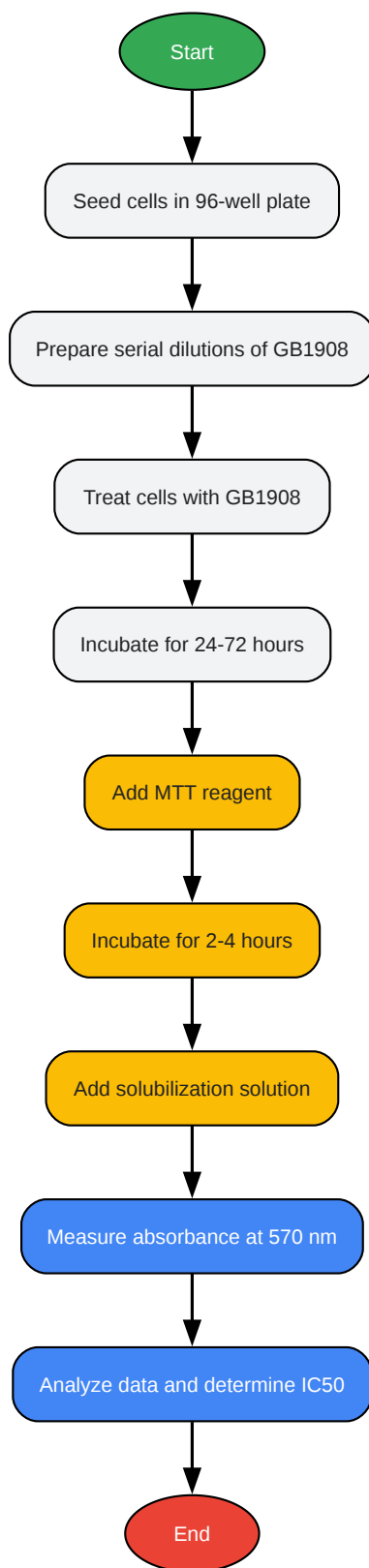
Note: This table presents hypothetical data for illustrative purposes. Researchers must generate their own data using the protocols provided.

Visualizations



[Click to download full resolution via product page](#)

Caption: Galectin-1 signaling pathway and the inhibitory action of **GB1908**.



[Click to download full resolution via product page](#)

- To cite this document: BenchChem. [Addressing potential toxicity of GB1908 at high concentrations]. BenchChem, [2026]. [Online PDF]. Available at: [<https://www.benchchem.com/product/b15610762/docs#addressing-potential-toxicity-of-gb1908-at-high-concentrations>]

Disclaimer & Data Validity:

The information provided in this document is for Research Use Only (RUO) and is strictly not intended for diagnostic or therapeutic procedures. While BenchChem strives to provide accurate protocols, we make no warranties, express or implied, regarding the fitness of this product for every specific experimental setup.

Technical Support: The protocols provided are for reference purposes. Unsure if this reagent suits your experiment?

Need Industrial/Bulk Grade? [Request Custom Synthesis Quote](#)

BenchChem

Our mission is to be the trusted global source of essential and advanced chemicals, empowering scientists and researchers to drive progress in science and industry.

Contact

Address: 3281 E Guasti Rd
Ontario, CA 91761, United States
Phone: (601) 213-4426
Email: info@benchchem.com

[Contact our Ph.D. Support Team for a compatibility check](#)