

# potential off-target effects of SRI-37330

**Author:** BenchChem Technical Support Team. **Date:** April 2026

## Compound of Interest

Compound Name: SRI-37330  
CAS No.: 2322245-42-9  
Cat. No.: B15608514

[Get Quote](#)

## SRI-37330 Technical Support Center

This technical support center provides researchers, scientists, and drug development professionals with essential information regarding the potential off-target effects of **SRI-37330**. The following troubleshooting guides and FAQs are designed to address specific issues that may be encountered during experiments.

## Frequently Asked Questions (FAQs)

Q1: What is the primary mechanism of action of **SRI-37330**?

**SRI-37330** is an orally bioavailable small molecule that acts as an inhibitor of Thioredoxin-Interacting Protein (TXNIP).<sup>[1][2][3]</sup> It functions by inhibiting the transcription of the TXNIP gene.<sup>[2][4]</sup> This leads to a reduction in TXNIP mRNA and protein levels. The primary therapeutic effects observed in preclinical models, such as the reduction of glucagon secretion and hepatic glucose production, are attributed to this on-target inhibition of TXNIP.<sup>[1][2][5]</sup>

Q2: Has **SRI-37330** been screened for off-target activities?

Yes, **SRI-37330** has undergone safety screening to assess its potential for off-target liabilities. A Eurofins SafetyScreen44 panel was conducted, and the results indicated a lack of significant off-target binding.[4] Additionally, the compound has tested negative in Ames mutagenicity assays, for inhibition of CYP450 enzymes, and for inhibition of the hERG channel, which are common indicators of off-target toxicity.[4]

Q3: We are observing unexpected effects in our cellular assays when using **SRI-37330**. Could these be off-target effects?

While **SRI-37330** has a favorable off-target profile in broad screening panels, it is important to consider several factors:

- **Concentration:** Ensure you are using the recommended concentration range. High concentrations of any compound can lead to non-specific effects. The IC50 for TXNIP mRNA expression inhibition is approximately 0.64  $\mu$ M in INS-1 cells.[2]
- **Cell Type Specificity:** The expression and role of TXNIP can vary between cell types. Effects observed in your specific cell line could be related to the on-target modulation of the TXNIP pathway in that context.
- **Experimental Controls:** It is crucial to include appropriate vehicle controls in your experiments to differentiate between compound-specific effects and experimental artifacts.

If you have ruled out these factors, please document the unexpected effects, including the cell type, compound concentration, and duration of treatment, and consult the relevant literature for TXNIP's role in your experimental system.

Q4: Does **SRI-37330** interact with other members of the arrestin family?

Based on available data, **SRI-37330** appears to specifically inhibit TXNIP without significantly affecting other members of the arrestin family.[4] RNA sequencing of human islets treated with **SRI-37330** showed that TXNIP signaling was inhibited, but not general transcription or other arrestin family members.[4]

## Troubleshooting Guide

Observed Issue	Potential Cause	Recommended Action
High cell toxicity or apoptosis	High concentration of SRI-37330, or the experimental model is highly sensitive to TXNIP inhibition.	Perform a dose-response curve to determine the optimal non-toxic concentration for your cell type. Review the literature on the role of TXNIP in your specific cellular context, as TXNIP inhibition can have pro- or anti-apoptotic effects depending on the system.
Lack of expected therapeutic effect	Suboptimal compound concentration, poor compound stability, or the experimental model does not rely on the TXNIP pathway.	Verify the concentration and integrity of your SRI-37330 stock. Confirm that TXNIP is expressed and plays a functional role in your experimental model.
Inconsistent results between experiments	Variability in experimental conditions, such as cell passage number, confluency, or incubation time.	Standardize your experimental protocol and ensure consistent cell culture practices. Always include positive and negative controls.

## Quantitative Data Summary

The following table summarizes the key quantitative data related to the off-target and safety profile of **SRI-37330**.

Assay	Target/Parameter	Result	Reference
Off-Target Binding Screen	Eurofins SafetyScreen44 Panel	No significant off-target liabilities identified.	[4]
Genotoxicity	Ames Mutagenicity Assay	Negative	[4]
Drug Metabolism	CYP450 Inhibition	No significant inhibition.	[4]
Cardiotoxicity	hERG Channel Inhibition	No significant inhibition.	[4]
On-Target Potency	TXNIP mRNA Inhibition (INS-1 cells)	IC <sub>50</sub> = 0.64 μM	[2]

## Key Experimental Protocols

### Eurofins SafetyScreen44 Panel

- Objective: To assess the potential for off-target binding of **SRI-37330** to a panel of 44 common receptors, ion channels, and transporters.
- Methodology:
  - **SRI-37330** is tested at a standard concentration (typically 10 μM).
  - The ability of **SRI-37330** to displace a radiolabeled ligand that is specific for each of the 44 targets is measured.
  - The percentage of inhibition of radioligand binding is calculated. A significant off-target interaction is generally considered to be >50% inhibition at a 10 μM concentration.

### Ames Mutagenicity Assay

- Objective: To evaluate the mutagenic potential of **SRI-37330**.

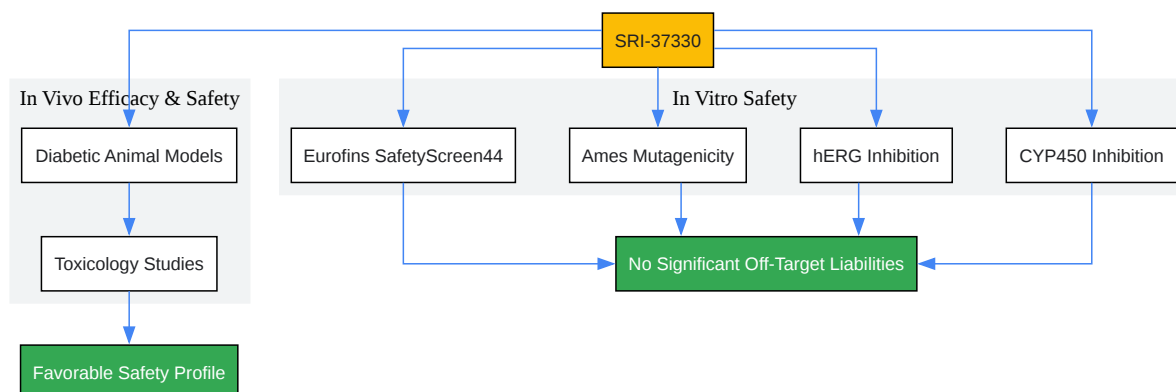
- Methodology:
  - Histidine-dependent strains of *Salmonella typhimurium* are used.
  - These strains are exposed to varying concentrations of **SRI-37330**, both with and without metabolic activation (S9 fraction).
  - The number of revertant colonies (colonies that have regained the ability to synthesize histidine) is counted.
  - A significant increase in the number of revertant colonies compared to the negative control indicates mutagenic potential.

## Visualizations



[Click to download full resolution via product page](#)

Caption: On-target mechanism of **SRI-37330** action.



[Click to download full resolution via product page](#)

Caption: Preclinical safety and efficacy workflow for **SRI-37330**.

### Need Custom Synthesis?

BenchChem offers custom synthesis for rare earth carbides and specific isotopic labeling.

Email: [info@benchchem.com](mailto:info@benchchem.com) or [Request Quote Online](#).

## References

- [1. pharmacytimes.com](https://www.pharmacytimes.com) [[pharmacytimes.com](https://www.pharmacytimes.com)]
- [2. medchemexpress.com](https://www.medchemexpress.com) [[medchemexpress.com](https://www.medchemexpress.com)]
- [3. medchemexpress.com](https://www.medchemexpress.com) [[medchemexpress.com](https://www.medchemexpress.com)]
- [4. sciencedaily.com](https://www.sciencedaily.com) [[sciencedaily.com](https://www.sciencedaily.com)]
- Identification of an anti-diabetic, orally available, small molecule that regulates TXNIP expression and glucagon action - PMC [[pmc.ncbi.nlm.nih.gov](https://pubmed.ncbi.nlm.nih.gov)]
- To cite this document: BenchChem. [potential off-target effects of SRI-37330]. BenchChem, [2026]. [Online PDF]. Available at: [<https://www.benchchem.com/product/b15608514/docs#potential-off-target-effects-of-sri-37330>]

---

### Disclaimer & Data Validity:

The information provided in this document is for Research Use Only (RUO) and is strictly not intended for diagnostic or therapeutic procedures. While BenchChem strives to provide accurate protocols, we make no warranties, express or implied, regarding the fitness of this product for every specific experimental setup.

**Technical Support:** The protocols provided are for reference purposes. Unsure if this reagent suits your experiment?

**Need Industrial/Bulk Grade?** [Request Custom Synthesis Quote](#)

# BenchChem

Our mission is to be the trusted global source of essential and advanced chemicals, empowering scientists and researchers to drive progress in science and industry.

## Contact

Address: 3281 E Guasti Rd

Ontario, CA 91761, United States

Phone: (601) 213-4426

Email: [info@benchchem.com](mailto:info@benchchem.com)

[Contact our Ph.D. Support Team for a compatibility check](#)