

In-Depth Technical Guide: The Mechanism of Action of TX-1123

Author: BenchChem Technical Support Team. **Date:** April 2026

Compound of Interest

Compound Name: TX-1123
Cat. No.: B15608278

[Get Quote](#)

Introduction

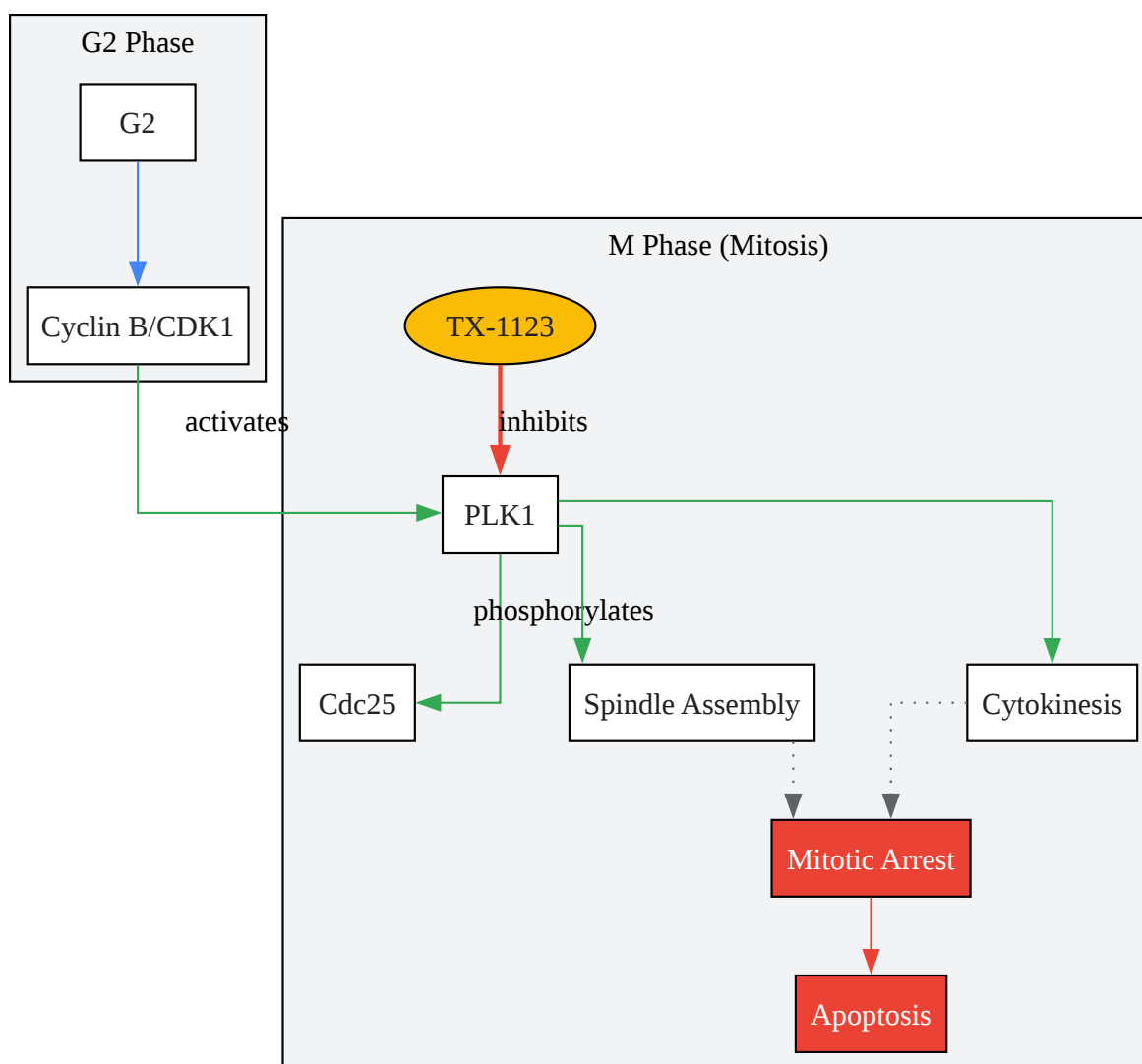
TX-1123 is a novel investigational compound that has demonstrated significant potential in preclinical studies for the treatment of certain types of cancer. This document provides a comprehensive overview of the current understanding of its mechanism of action, supported by available experimental data. The information is intended for researchers, scientists, and professionals involved in drug development.

Mechanism of Action

TX-1123 is a potent and selective inhibitor of the serine/threonine kinase PLK1 (Polo-like kinase 1). PLK1 is a critical regulator of multiple stages of mitosis, including centrosome maturation, spindle assembly, and cytokinesis. Overexpression of PLK1 is a common feature in many human cancers and is often associated with poor prognosis. By inhibiting PLK1, **TX-1123** disrupts the normal progression of the cell cycle, leading to mitotic arrest and subsequent apoptosis in cancer cells.

Signaling Pathway

The primary signaling pathway affected by **TX-1123** is the PLK1-mediated cell cycle regulation pathway. The binding of **TX-1123** to the ATP-binding pocket of PLK1 inhibits its kinase activity. This, in turn, prevents the phosphorylation of downstream substrates essential for mitotic progression.



[Click to download full resolution via product page](#)

Caption: Simplified signaling pathway of **TX-1123** action.

Experimental Data

The following tables summarize key quantitative data from in vitro and in vivo studies of **TX-1123**.

Table 1: In Vitro Kinase Inhibitory Activity of **TX-1123**

Kinase	IC ₅₀ (nM)
PLK1	1.2
PLK2	150
PLK3	280

Table 2: In Vitro Anti-proliferative Activity of **TX-1123** in Cancer Cell Lines

Cell Line	Cancer Type	GI ₅₀ (nM)
HCT116	Colon Carcinoma	5.5
HeLa	Cervical Cancer	7.2
A549	Lung Carcinoma	12.8

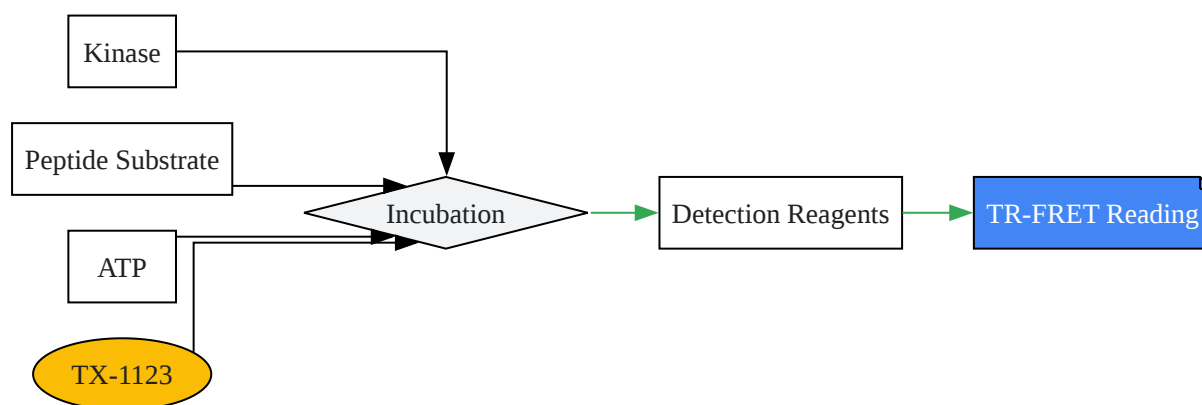
Table 3: In Vivo Efficacy of **TX-1123** in HCT116 Xenograft Model

Treatment Group	Dose (mg/kg)	Tumor Growth Inhibition (%)
Vehicle Control	-	0
TX-1123	10	45
TX-1123	30	82

Experimental Protocols

Kinase Inhibition Assay

The inhibitory activity of **TX-1123** against PLK1, PLK2, and PLK3 was determined using a time-resolved fluorescence resonance energy transfer (TR-FRET) assay. The assay measures the phosphorylation of a biotinylated peptide substrate by the respective kinase in the presence of varying concentrations of **TX-1123**. The IC₅₀ values were calculated from the dose-response curves.



[Click to download full resolution via product page](#)

Caption: Workflow for the TR-FRET based kinase inhibition assay.

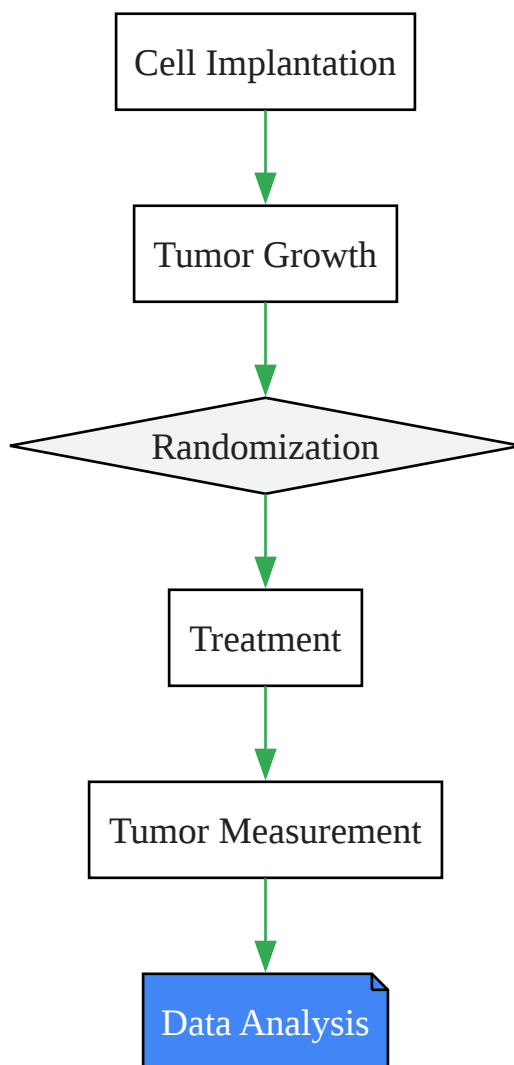
Cell Proliferation Assay

The anti-proliferative activity of **TX-1123** was assessed using the CellTiter-Glo® Luminescent Cell Viability Assay. Cancer cell lines were seeded in 96-well plates and treated with a range of **TX-1123** concentrations for 72 hours. Cell viability was determined by measuring the luminescence signal, which is proportional to the amount of ATP present. The GI₅₀ values, representing the concentration at which 50% of cell growth is inhibited, were then calculated.

In Vivo Xenograft Study

Female athymic nude mice were subcutaneously implanted with HCT116 human colon carcinoma cells. Once tumors reached a palpable size, the mice were randomized into treatment groups. **TX-1123** was administered intravenously daily for 14 days. Tumor volumes

were measured twice weekly, and the percentage of tumor growth inhibition was calculated at the end of the study.



[Click to download full resolution via product page](#)

Caption: Workflow of the in vivo xenograft efficacy study.

Conclusion

TX-1123 is a highly potent and selective PLK1 inhibitor that induces mitotic arrest and apoptosis in cancer cells. The compound demonstrates significant anti-proliferative activity in vitro and robust anti-tumor efficacy in vivo. These findings support the continued clinical development of **TX-1123** as a promising therapeutic agent for the treatment of various cancers.

Further research is warranted to fully elucidate the downstream effects of PLK1 inhibition by **TX-1123** and to identify potential biomarkers for patient selection.

- To cite this document: BenchChem. [In-Depth Technical Guide: The Mechanism of Action of TX-1123]. BenchChem, [2026]. [Online PDF]. Available at: [<https://www.benchchem.com/product/b15608278/docs#in-depth-technical-guide-the-mechanism-of-action-of-tx-1123>]

Disclaimer & Data Validity:

The information provided in this document is for Research Use Only (RUO) and is strictly not intended for diagnostic or therapeutic procedures. While BenchChem strives to provide accurate protocols, we make no warranties, express or implied, regarding the fitness of this product for every specific experimental setup.

Technical Support: The protocols provided are for reference purposes. Unsure if this reagent suits your experiment?

Need Industrial/Bulk Grade? [Request Custom Synthesis Quote](#)

BenchChem

Our mission is to be the trusted global source of essential and advanced chemicals, empowering scientists and researchers to drive progress in science and industry.

Contact

Address: 3281 E Guasti Rd
Ontario, CA 91761, United States
Phone: (601) 213-4426
Email: info@benchchem.com

[Contact our Ph.D. Support Team for a compatibility check](#)

