

Strategies to improve Ansamitocin P-3 fermentation yield

Author: BenchChem Technical Support Team. **Date:** April 2026

Compound of Interest

Compound Name: Ansamitocin P-3

Cat. No.: B15607785

[Get Quote](#)

Ansamitocin P-3 Fermentation: Technical Support Center

Welcome to the **Ansamitocin P-3 (AP-3)** Fermentation Technical Support Center. This resource is designed for researchers, scientists, and drug development professionals to provide troubleshooting guidance and answer frequently asked questions related to improving the fermentation yield of AP-3, a potent anti-tumor agent.

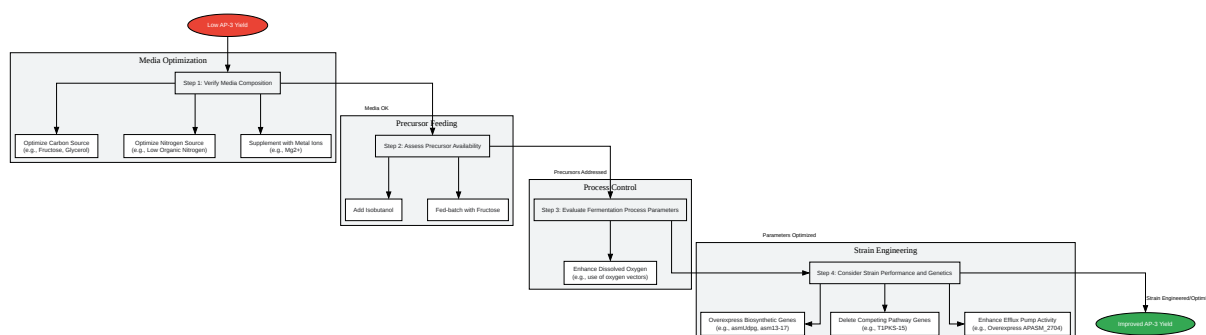
Troubleshooting Guide

This guide addresses common issues encountered during AP-3 fermentation experiments in a question-and-answer format.

Problem: Low AP-3 Yield Despite Standard Fermentation Conditions

Question: My *Actinosynnema pretiosum* culture is growing, but the AP-3 yield is significantly lower than expected. What are the potential causes and how can I troubleshoot this?

Answer: Low AP-3 yield can stem from several factors, ranging from suboptimal media composition to inefficient precursor supply or genetic limitations of the strain. Here's a step-by-step troubleshooting workflow:



[Click to download full resolution via product page](#)

Caption: Troubleshooting workflow for low **Ansamitocin P-3** yield.

- Media Optimization: The composition of your fermentation medium is critical.
 - Carbon Source: Fructose has been shown to be more beneficial for AP-3 production than glucose.[1][2] A combination of fructose, glycerol, and soluble starch can increase AP-3 concentration significantly.[1] Economical substrates like cane molasses and glycerol can also be optimized.[3]
 - Nitrogen Source: A relatively low concentration of organic nitrogen in the culture medium can significantly improve AP-3 production.[4][5] This is because it can upregulate the transcription of genes involved in precursor and ansamitocin biosynthetic pathways.[6][7]
 - Divalent Metal Ions: The addition of Mg²⁺ has been found to be highly effective, with optimal addition leading to a 3.0-fold increase in AP-3 production in one study.[8]
- Precursor Supply: AP-3 biosynthesis requires specific precursors. Insufficient supply can create a bottleneck.
 - Isobutanol: Supplementation with isobutanol can enhance AP-3 production.[3][9]
 - Fed-Batch Strategy: A rational fed-batch strategy with pulse feeding of fructose and isobutanol has been shown to significantly increase the AP-3 titer.[9]
- Fermentation Process Parameters:
 - Dissolved Oxygen: Low dissolved oxygen can be a limiting factor. The use of oxygen vectors like soybean oil can promote strain growth and AP-3 production.[10][11]
- Genetic and Metabolic Engineering: If media and process optimization do not yield satisfactory results, consider engineering the producer strain, *Actinosynnema pretiosum*.
 - Overexpression of Biosynthetic Genes: Overexpressing key genes in the AP-3 biosynthetic pathway, such as *asmUdpG* (for the AHBA precursor) and the *asm13-17* cluster (for the glycolate unit), can lead to a substantial increase in yield.[9][12]

- Deletion of Competing Pathways: Inactivating genes of competing polyketide synthase (PKS) pathways, such as T1PKS-15, can redirect precursors towards AP-3 biosynthesis, increasing the yield by up to 27%.[\[13\]](#)
- Enhancing Efflux: AP-3 can be toxic to the producing organism. Overexpressing efflux pump genes (e.g., APASM_2704, APASM_3193, APASM_2805) can improve AP-3 tolerance and overall production.[\[14\]](#)[\[15\]](#)

Frequently Asked Questions (FAQs)

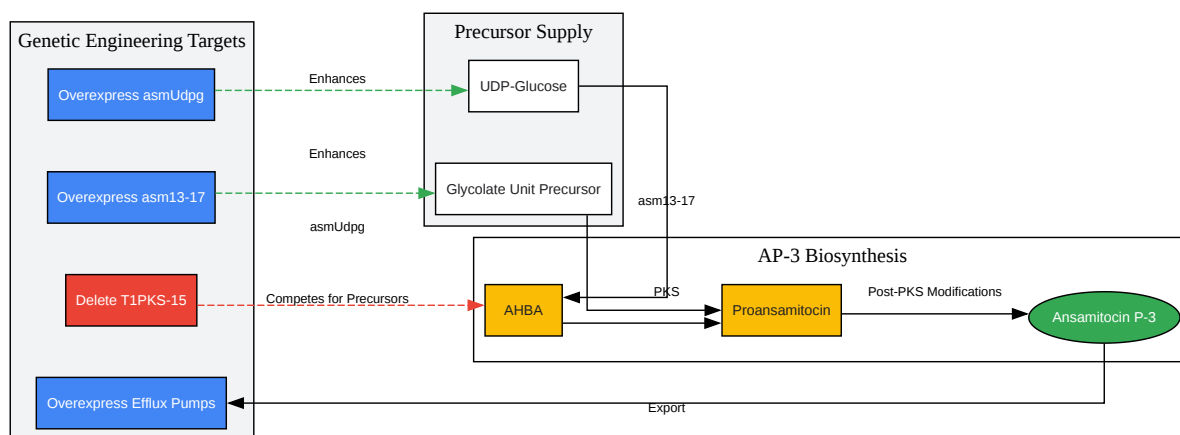
Q1: What is the role of different carbon sources in AP-3 fermentation, and which one is optimal?

A1: The choice of carbon source significantly impacts both cell growth and AP-3 production. While glucose supports good biomass production, fructose has been shown to lead to a higher yield of AP-3, potentially by stimulating key genes in the secondary metabolism pathways.[\[2\]](#) Studies have demonstrated that optimized media containing fructose can lead to a nine-fold increase in AP-3 concentration compared to unoptimized media.[\[1\]](#) A combination of carbon sources, such as fructose and glycerol, can also be beneficial, with glycerol acting as a delayed carbon source to support the strain in the later stages of fermentation.[\[10\]](#) For cost-effective industrial production, economical carbon sources like cane molasses and glycerol have been successfully optimized.[\[3\]](#)

Q2: How can I genetically engineer *Actinosynnema pretiosum* for improved AP-3 yield?

A2: Genetic engineering offers powerful strategies to enhance AP-3 production. Here is a summary of effective approaches:

- Overexpression of Precursor Supply Pathways: The biosynthesis of AP-3 depends on the availability of precursors like 3-amino-5-hydroxybenzoic acid (AHBA) and a unique glycolate unit. Overexpressing the gene cluster *asm13-17*, responsible for the glycolate unit supply, increased AP-3 accumulation by 1.94-fold.[\[9\]](#) Further co-overexpression of *asmUdpg*, which is involved in the AHBA pathway, led to even higher titers.[\[9\]](#)[\[12\]](#)



[Click to download full resolution via product page](#)

Caption: Key genetic engineering targets in the **Ansamitocin P-3** biosynthetic pathway.

- **CRISPR-Cas9 Mediated Gene Deletion:** A tailor-made pCRISPR–Cas9 system can be used for efficient genome editing in *A. pretiosum*.^[13] This allows for the deletion of large gene clusters that compete for precursors. For instance, inactivating the *T1PKS-15* gene cluster resulted in a 27% increase in AP-3 production.^[13]
- **Enhancing Efflux:** Overexpression of identified efflux pump genes can significantly improve AP-3 yield by alleviating product toxicity. For example, overexpressing *APASM_3193* led to an increase in AP-3 yield from 264.6 mg/L to 330.6 mg/L.^{[14][15]}
- **Combinatorial Approach:** Combining traditional mutation methods (like using N-methyl-N'-nitro-N-nitrosoguanidine) with metabolic engineering (overexpressing key biosynthetic genes) can have a synergistic effect, leading to very high AP-3 titers.^[12]

Q3: What are the key precursors for AP-3 biosynthesis and how can their supply be improved through feeding strategies?

A3: The biosynthesis of the AP-3 carbon framework by a type I polyketide synthase (PKS) utilizes 3-amino-5-hydroxybenzoic acid (AHBA) as a starter unit.[16] The chain is extended by incorporating three propionate units, three acetate units, and an unusual hydroxylated two-carbon "glycolate" unit.[16] Improving the supply of these precursors is a key strategy for enhancing yield.

A highly effective method is a rational fed-batch fermentation strategy. In one study, pulse feeding of 15 g/L fructose and 1.64 g/L isobutanol at 60, 96, and 120 hours during bioreactor fermentation of an engineered strain resulted in an AP-3 production level of 757.7 mg/L.[9] Isobutanol is thought to be a precursor for the isobutyryl side chain of AP-3.

Data Summary Tables

Table 1: Impact of Genetic Engineering Strategies on AP-3 Yield

Strategy	Gene/Cluster Targeted	Strain	Fold/Percent Increase	Final Titer (mg/L)	Reference
Overexpression of Glycolate Unit Pathway	asm13-17	A. pretiosum WT	1.94-fold	-	[9]
Co-overexpression of Precursor Pathways	asm13-17 & asmUdpg	A. pretiosum WT	-	680.5	[9]
Combinatorial Mutation & Engineering	asmUdpg & asm13-17 overexpression in mutant strain	Mutant M	60% (vs. mutant)	582.7	[12]
Deletion of Competing PKS Pathway	T1PKS-15	Strain L40	27%	365	[13]
Bidirectional Promoter Insertion	Knock-in of j23119p-kasOp upstream of asm13-17	Strain L40	50%	-	[13]
Overexpression of Efflux Pump	APASM_3193	A. pretiosum	25%	330.6	[14][15]
Inactivation of Competing N-demethylation	asm25	A. pretiosum ATCC 31565	>2-fold	-	[17]

Table 2: Effect of Media Optimization and Feeding Strategies on AP-3 Yield

Strategy	Key Components/Additives	Fold/Percent Increase	Final Titer (mg/L)	Reference
Divalent Ion Addition	Mg ²⁺	3.0-fold	85	[8]
Carbon Source Optimization	Fructose, Glycerol, Soluble Starch	9-fold	144	[1]
Economical Media Development	Cane Molasses, Glycerol, Soybean Powder + Supplements	-	141	[3]
Oxygen Vector Addition	0.52% Soybean Oil (added at 50h)	49.48%	106.04	[10][11]
Fed-Batch Fermentation (Engineered Strain)	Pulse feeding of Fructose (15 g/L) and Isobutanol (1.64 g/L)	-	757.7	[9]

Experimental Protocols

Protocol 1: Fed-Batch Fermentation for Enhanced AP-3 Production

This protocol is based on the strategy developed for the engineered *A. pretiosum* strain Oasm13-17:asmUdpg.[9]

- Seed Culture Preparation:
 - Inoculate a loop of *A. pretiosum* spores into a 250 mL flask containing 50 mL of seed medium (e.g., S1 medium: 0.5% yeast extract, 3% tryptone soya broth, 10.3% sucrose).
 - Incubate at 30°C, 220 rpm for 24 hours.

- Bioreactor Inoculation:
 - Transfer the seed culture (e.g., 3.3% v/v) into a 5-L bioreactor containing the production fermentation medium (e.g., S2 medium: 0.8% yeast extract, 3% tryptone soya broth, 10.3% sucrose, pH 7.5).
 - Maintain fermentation conditions at 30°C, with aeration and agitation to ensure sufficient dissolved oxygen.
- Fed-Batch Feeding Strategy:
 - Prepare sterile concentrated solutions of fructose and isobutanol.
 - At 60 hours, 96 hours, and 120 hours of fermentation, aseptically pulse-feed the culture with fructose to a final concentration of 15 g/L and isobutanol to a final concentration of 1.64 g/L.
- Sampling and Analysis:
 - Withdraw samples periodically to monitor cell growth (Dry Cell Weight) and AP-3 concentration using HPLC.[\[18\]](#)[\[19\]](#)

Protocol 2: CRISPR-Cas9 Mediated Gene Deletion

This protocol provides a general workflow for gene deletion in *A. pretiosum* using a system like pCRISPR-Cas9apre.[\[13\]](#)

- Plasmid Construction:
 - Synthesize two guide RNA (sgRNA) sequences targeting the upstream and downstream regions of the gene cluster to be deleted (e.g., T1PKS-15).
 - Clone the sgRNAs into the pCRISPR-Cas9apre vector.
 - Construct a donor plasmid containing the upstream and downstream homologous arms (approx. 1.5 kb each) of the target gene cluster.
- Conjugation:

- Introduce the pCRISPR–Cas9apre plasmid and the donor plasmid into *A. pretiosum* via intergeneric conjugation from an *E. coli* donor strain (e.g., ET12567/pUZ8002).
- Plate the conjugation mixture on a selection medium (e.g., YMG agar) containing appropriate antibiotics (e.g., apramycin for the plasmid) and nalidixic acid to counter-select the *E. coli* donor.
- Screening for Deletants:
 - After incubation, screen the resulting exconjugants by PCR using primers flanking the target deletion site. A smaller PCR product compared to the wild-type indicates a successful deletion.
 - Confirm the deletion by sequencing the PCR product.
- Plasmid Curing:
 - Cure the CRISPR-Cas9 plasmid from the confirmed mutant strain by subculturing on non-selective media.
 - Verify the loss of the plasmid by checking for antibiotic sensitivity.

Need Custom Synthesis?

BenchChem offers custom synthesis for rare earth carbides and specific isotopic labeling.

Email: info@benchchem.com or [Request Quote Online](#).

References

- [1. Process optimization with alternative carbon sources and modulation of secondary metabolism for enhanced ansamitocin P-3 production in *Actinosynnema pretiosum* - PubMed \[pubmed.ncbi.nlm.nih.gov\]](#)
- [2. Improvement of ansamitocin P-3 production by *Actinosynnema mirum* with fructose as the sole carbon source - PubMed \[pubmed.ncbi.nlm.nih.gov\]](#)
- [3. researchgate.net \[researchgate.net\]](#)
- [4. researchgate.net \[researchgate.net\]](#)

- 5. Metabolomic change and pathway profiling reveal enhanced ansamitocin P-3 production in *Actinosynnema pretiosum* with low organic nitrogen availability in culture medium - PubMed [pubmed.ncbi.nlm.nih.gov]
- 6. researchgate.net [researchgate.net]
- 7. researchgate.net [researchgate.net]
- 8. Enhanced production of ansamitocin P-3 by addition of Mg²⁺ in fermentation of *Actinosynnema pretiosum* - PubMed [pubmed.ncbi.nlm.nih.gov]
- 9. Rational approach to improve ansamitocin P-3 production by integrating pathway engineering and substrate feeding in *Actinosynnema pretiosum* - PubMed [pubmed.ncbi.nlm.nih.gov]
- 10. Improvement of Biosynthetic Ansamitocin P-3 Production Based on Oxygen-Vector Screening and Metabonomics Analysis - PMC [pmc.ncbi.nlm.nih.gov]
- 11. researchgate.net [researchgate.net]
- 12. Combination of traditional mutation and metabolic engineering to enhance ansamitocin P-3 production in *Actinosynnema pretiosum* - PubMed [pubmed.ncbi.nlm.nih.gov]
- 13. Two strategies to improve the supply of PKS extender units for ansamitocin P-3 biosynthesis by CRISPR–Cas9 - PMC [pmc.ncbi.nlm.nih.gov]
- 14. Efflux identification and engineering for ansamitocin P-3 production in *Actinosynnema pretiosum* - PubMed [pubmed.ncbi.nlm.nih.gov]
- 15. Efflux identification and engineering for ansamitocin P-3 production in *Actinosynnema pretiosum* - ProQuest [proquest.com]
- 16. pnas.org [pnas.org]
- 17. researchgate.net [researchgate.net]
- 18. Preparative isolation and purification of anti-tumor agent ansamitocin P-3 from fermentation broth of *Actinosynnema pretiosum* using high-performance counter-current chromatography - PubMed [pubmed.ncbi.nlm.nih.gov]
- 19. nbinno.com [nbinno.com]
- To cite this document: BenchChem. [Strategies to improve Ansamitocin P-3 fermentation yield]. BenchChem, [2026]. [Online PDF]. Available at: [https://www.benchchem.com/product/b15607785/docs#strategies-to-improve-ansamitocin-p-3-fermentation-yield]

Disclaimer & Data Validity:

The information provided in this document is for Research Use Only (RUO) and is strictly not intended for diagnostic or therapeutic procedures. While BenchChem strives to provide accurate protocols, we make no warranties, express or implied, regarding the fitness of this product for every specific experimental setup.

Technical Support: The protocols provided are for reference purposes. Unsure if this reagent suits your experiment?

Need Industrial/Bulk Grade? [Request Custom Synthesis Quote](#)

BenchChem

Our mission is to be the trusted global source of essential and advanced chemicals, empowering scientists and researchers to drive progress in science and industry.

Contact

Address: 3281 E Guasti Rd
Ontario, CA 91761, United States
Phone: (601) 213-4426
Email: info@benchchem.com

[Contact our Ph.D. Support Team for a compatibility check](#)