

In-Depth Technical Guide on the Structural Activity Relationship of CBP-501 Acetate

Author: BenchChem Technical Support Team. **Date:** April 2026

Compound of Interest

Compound Name: *CBP-501 acetate*

CAS No.: *1829512-40-4*

Cat. No.: *B15607408*

[Get Quote](#)

For Researchers, Scientists, and Drug Development Professionals

Abstract

CBP-501 is a synthetic peptide that has demonstrated significant potential as an anti-cancer agent, primarily through its dual mechanisms of G2 checkpoint abrogation and calmodulin (CaM) modulation. This technical guide provides a comprehensive overview of the structural activity relationship (SAR) of **CBP-501 acetate**, detailing the evolution of its peptide sequence and the corresponding impact on its biological activity. This document includes a thorough examination of its mechanism of action, detailed experimental protocols for key assays, and a quantitative analysis of its activity.

Introduction

CBP-501 is a novel calmodulin-modulating peptide with a multifaceted anti-tumor mechanism of action.[1] It has been shown to enhance the cytotoxicity of platinum-based chemotherapeutic agents by increasing their influx into tumor cells.[1] Furthermore, CBP-501 functions as a G2 checkpoint abrogator, a strategic approach to selectively sensitize cancer cells to DNA-damaging agents.[2][3] The development of CBP-501 arose from the optimization of G2

checkpoint-abrogating peptides, aiming to enhance potency and cancer cell selectivity.[2][3]

This guide delves into the critical structural modifications that led to the enhanced efficacy of CBP-501.

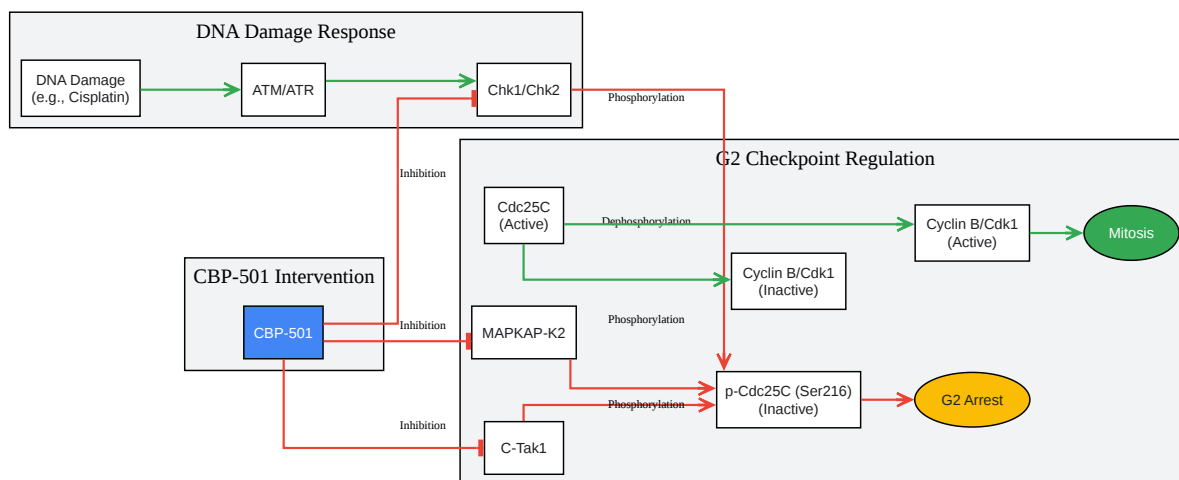
Mechanism of Action

CBP-501 exerts its anti-cancer effects through two primary, interconnected pathways:

- **G2 Checkpoint Abrogation:** In response to DNA damage, the G2 checkpoint is activated to halt the cell cycle and allow for DNA repair. A key event in this process is the phosphorylation of the phosphatase Cdc25C on Ser216 by several kinases, including Chk1, Chk2, MAPKAP-K2, and C-Tak1.[2][4] This phosphorylation leads to the sequestration of Cdc25C in the cytoplasm, preventing it from dephosphorylating and activating the Cyclin B/Cdk1 complex, which is essential for entry into mitosis. CBP-501 inhibits the kinases responsible for Ser216 phosphorylation, thereby preventing Cdc25C inactivation and abrogating the G2 checkpoint. [2][4] This forces cancer cells with damaged DNA to prematurely enter mitosis, leading to mitotic catastrophe and apoptosis.
- **Calmodulin (CaM) Modulation:** CBP-501 binds directly to calmodulin with high affinity.[2] This interaction is believed to contribute to the sensitization of tumor cells to cisplatin and bleomycin by increasing intracellular platinum concentrations.[2] The binding of CBP-501 to CaM is reversible by Ca²⁺. [2]

The interplay between these two mechanisms results in a synergistic anti-tumor effect, enhancing the efficacy of conventional chemotherapy while also exhibiting intrinsic anti-cancer properties.

Signaling Pathway of CBP-501 in G2 Checkpoint Abrogation



[Click to download full resolution via product page](#)

Caption: G2 checkpoint signaling pathway and the inhibitory action of CBP-501.

Structural Activity Relationship (SAR) of CBP-501

The development of CBP-501 involved a systematic, phenotype-based optimization of the parent peptide, TAT-S216A. This process led to the identification of key structural modifications that significantly enhanced its potency and selectivity.

Peptide Sequences and Modifications

The evolution from the parent peptide to CBP-501 is characterized by specific amino acid substitutions and the incorporation of non-natural amino acids.

Peptide ID	Sequence	Key Modifications
TAT-S216A	YGRKKRRQRRR-G-LYRSPAMPEY	Parent peptide with a TAT cell-penetrating peptide sequence.
CBP004	Ac-FChaWRRRQRR-NH2	Truncated and modified sequence with N-terminal acetylation and C-terminal amidation. Introduction of Cyclohexylalanine (Cha).
CBP-501	Ac-d-Bpa-S-W-S-d-Phe(F5)-d-Cha-R-R-R-Q-R-R-NH2	Optimized sequence with D-amino acids (d-Bpa, d-Phe(F5), d-Cha) for increased stability and potency.

d-Bpa: D-Benzoylphenylalanine, d-Phe(F5): D-Pentafluorophenylalanine, d-Cha: D-Cyclohexylalanine

Quantitative SAR Data

The biological activity of the peptides was evaluated based on their ability to abrogate the G2 checkpoint (ED50) and inhibit key kinases involved in Cdc25C phosphorylation (IC50).

Peptide ID	G2 Abrogation ED50 (μM)	IC50 (μM) vs. MAPKAP-K2	IC50 (μM) vs. C-Tak1	IC50 (μM) vs. Chk1
TAT-S216A	>100	>100	>100	>100
CBP004	10	2.5	5.0	15
CBP-501	0.8	0.9	1.4	3.4

Data sourced from Sha et al., Mol Cancer Ther 2007;6(1):147-53.[\[2\]](#)

SAR Summary

The optimization from TAT-S216A to CBP-501 reveals several key SAR insights:

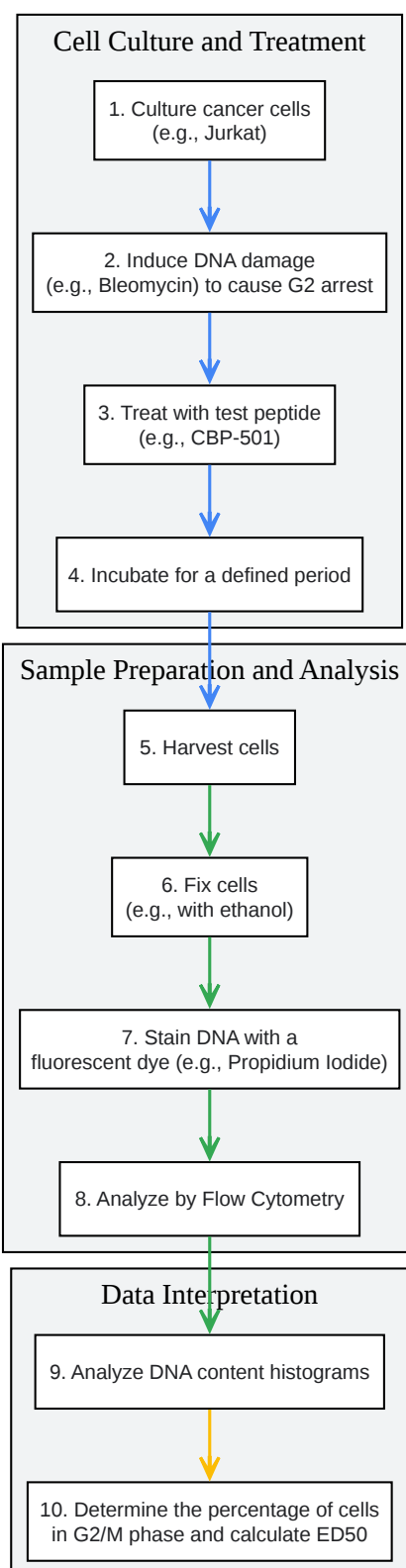
- **Truncation and Core Motif:** The removal of the TAT sequence and the identification of a core active motif were crucial first steps in improving potency.
- **N- and C-terminal Modifications:** Acetylation of the N-terminus and amidation of the C-terminus in CBP004 and CBP-501 likely contribute to increased peptide stability by preventing degradation by exopeptidases.
- **Incorporation of Non-natural Amino Acids:** The introduction of D-amino acids and other non-natural residues in CBP-501 was the most significant factor in its enhanced activity.
 - **D-Benzoylphenylalanine (d-Bpa):** This modification at the N-terminus likely enhances cell permeability and target engagement.
 - **D-Pentafluorophenylalanine (d-Phe(F5)):** The introduction of this bulky, electron-withdrawing residue is critical for the high-potency inhibition of the target kinases.
 - **D-Cyclohexylalanine (d-Cha):** This substitution likely improves the peptide's conformational stability and hydrophobic interactions with its targets.
- **Overall Potency:** CBP-501 is over 100-fold more potent than the original lead peptide, TAT-S216A, in G2 checkpoint abrogation.[\[2\]](#)

Experimental Protocols

Cell Cycle Phenotype-Based Screening for G2 Abrogation

This assay was central to the optimization of CBP-501. It measures the ability of a compound to overcome a DNA damage-induced G2 cell cycle arrest.

Workflow Diagram:



[Click to download full resolution via product page](#)

Caption: Workflow for cell cycle phenotype-based screening.

Detailed Methodology:

- **Cell Culture:** Jurkat cells are cultured in appropriate media and conditions.
- **Induction of G2 Arrest:** Cells are treated with a DNA-damaging agent, such as bleomycin, at a concentration known to induce a significant G2 phase arrest.
- **Peptide Treatment:** The test peptides (e.g., CBP-501 and its analogs) are added to the cell cultures at various concentrations.
- **Incubation:** The cells are incubated for a period sufficient to allow for cell cycle progression (e.g., 24-48 hours).
- **Cell Harvesting and Fixation:** Cells are harvested, washed, and fixed in cold ethanol to permeabilize the cell membrane and preserve the cellular DNA.
- **DNA Staining:** The fixed cells are treated with RNase to remove RNA and then stained with a fluorescent DNA intercalating agent, such as propidium iodide (PI).
- **Flow Cytometry Analysis:** The DNA content of individual cells is measured using a flow cytometer. The fluorescence intensity of PI is directly proportional to the amount of DNA in each cell.
- **Data Analysis:** The resulting DNA content histograms are analyzed to determine the percentage of cells in the G0/G1, S, and G2/M phases of the cell cycle. The ED50 value is calculated as the concentration of the peptide that causes a 50% reduction in the percentage of cells arrested in the G2 phase.

In Vitro Kinase Inhibition Assay

This assay measures the direct inhibitory effect of CBP-501 on the activity of specific kinases.

Methodology:

- **Reagents:** Recombinant active kinases (MAPKAP-K2, C-Tak1, Chk1), a suitable substrate (e.g., a peptide derived from Cdc25C containing Ser216), and radiolabeled ATP ($[\gamma\text{-}^{32}\text{P}]\text{ATP}$) are required.

- **Reaction Setup:** The kinase, substrate, and varying concentrations of the inhibitor (CBP-501) are incubated in a kinase reaction buffer.
- **Reaction Initiation:** The kinase reaction is initiated by the addition of [γ - ^{32}P]ATP.
- **Reaction Termination:** After a defined incubation period, the reaction is stopped, typically by adding a strong acid or by spotting the reaction mixture onto a phosphocellulose membrane.
- **Quantification of Phosphorylation:** The amount of ^{32}P incorporated into the substrate is quantified using a scintillation counter or by autoradiography.
- **Data Analysis:** The percentage of kinase inhibition is calculated for each inhibitor concentration, and the IC₅₀ value (the concentration of inhibitor required to reduce kinase activity by 50%) is determined by non-linear regression analysis.

Conclusion

The structural activity relationship of **CBP-501 acetate** demonstrates a clear progression of rational peptide design, leading to a highly potent and selective G2 checkpoint abrogator. The key to its enhanced activity lies in the strategic incorporation of non-natural D-amino acids, which likely improve its stability, cell permeability, and target binding affinity. The dual mechanism of action, combining G2 checkpoint abrogation with calmodulin modulation, makes CBP-501 a promising candidate for combination cancer therapy. The detailed experimental protocols provided in this guide offer a framework for the further evaluation of CBP-501 and the development of next-generation peptide-based cancer therapeutics.

Need Custom Synthesis?

BenchChem offers custom synthesis for rare earth carbides and specific isotopic labeling.

Email: info@benchchem.com or [Request Quote Online](#).

References

- [1. Flow cytometry with PI staining | Abcam \[abcam.com\]](#)
- [2. CBP501-calmodulin binding contributes to sensitizing tumor cells to cisplatin and bleomycin - PubMed \[pubmed.ncbi.nlm.nih.gov\]](#)

- [3. Cell cycle phenotype-based optimization of G2-abrogating peptides yields CBP501 with a unique mechanism of action at the G2 checkpoint - PubMed \[pubmed.ncbi.nlm.nih.gov\]](#)
- [4. aacrjournals.org \[aacrjournals.org\]](#)
- To cite this document: BenchChem. [In-Depth Technical Guide on the Structural Activity Relationship of CBP-501 Acetate]. BenchChem, [2026]. [Online PDF]. Available at: [\[https://www.benchchem.com/product/b15607408/docs#in-depth-technical-guide-on-the-structural-activity-relationship-of-cbp-501-acetate\]](https://www.benchchem.com/product/b15607408/docs#in-depth-technical-guide-on-the-structural-activity-relationship-of-cbp-501-acetate)

Disclaimer & Data Validity:

The information provided in this document is for Research Use Only (RUO) and is strictly not intended for diagnostic or therapeutic procedures. While BenchChem strives to provide accurate protocols, we make no warranties, express or implied, regarding the fitness of this product for every specific experimental setup.

Technical Support: The protocols provided are for reference purposes. Unsure if this reagent suits your experiment?

Need Industrial/Bulk Grade? [Request Custom Synthesis Quote](#)

BenchChem

Our mission is to be the trusted global source of essential and advanced chemicals, empowering scientists and researchers to drive progress in science and industry.

Contact

Address: 3281 E Guasti Rd
Ontario, CA 91761, United States
Phone: (601) 213-4426
Email: info@benchchem.com

[Contact our Ph.D. Support Team for a compatibility check](#)

