

(3aS,4R,9bR)-G-1: A Comprehensive Technical Guide to Target Selectivity

Author: BenchChem Technical Support Team. **Date:** April 2026

Compound of Interest

Compound Name: (3aS,4R,9bR)-G-1

Cat. No.: B15606124

[Get Quote](#)

For Researchers, Scientists, and Drug Development Professionals

Abstract

(3aS,4R,9bR)-1-(4-(6-bromobenzo[d][1,2]dioxol-5-yl)-3a,4,5,9b-tetrahydro-3H-cyclopenta[c]quinolin-8-yl)ethanone, commonly known as G-1, is a potent and selective non-steroidal agonist for the G protein-coupled estrogen receptor (GPER), also identified as GPR30. This document provides an in-depth technical overview of the target selectivity of G-1, presenting quantitative data, detailed experimental methodologies for key assays, and visual representations of associated signaling pathways. The high affinity and selectivity of G-1 for GPER over classical nuclear estrogen receptors (ER α and ER β) make it an invaluable tool for elucidating the physiological and pathophysiological roles of GPER-mediated signaling. This guide is intended to serve as a comprehensive resource for researchers in pharmacology and drug development.

Introduction

G-1 has emerged as a critical pharmacological probe for investigating the distinct signaling cascades initiated by GPER.[3] Unlike endogenous estrogens, which activate both nuclear and membrane-associated estrogen receptors, G-1's selective agonism allows for the specific

interrogation of GPER's functions.[4] These functions include rapid, non-genomic signaling events that influence a wide array of cellular processes.[5] This guide summarizes the key data and experimental approaches used to characterize the target selectivity profile of G-1.

Target Selectivity Profile of G-1

The selectivity of G-1 is primarily defined by its high binding affinity for GPER and its negligible affinity for the nuclear estrogen receptors, ER α and ER β .

Quantitative Binding and Functional Data

The following table summarizes the binding affinities (K_i) and functional potencies (EC₅₀) of G-1 for its primary target, GPER, in comparison to ER α and ER β .

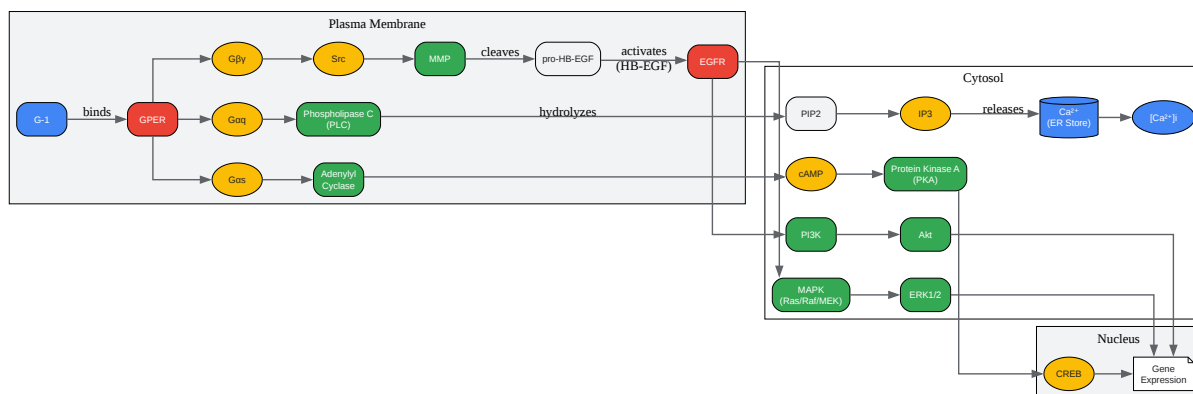
Target	Ligand	Binding Affinity (K _i)	Functional Activity (EC ₅₀)	Reference
GPER	G-1	11 nM	2 nM (Calcium Mobilization)	[3][4]
ER α	G-1	> 10,000 nM	No activity up to 10 μ M	[3][4]
ER β	G-1	> 10,000 nM	No activity up to 10 μ M	[3][4]

Off-Target Activity

While G-1 demonstrates high selectivity for GPER, studies on structurally related compounds and at high concentrations of G-1 have suggested potential for off-target effects. For instance, the enantiomer of G-1, LNS8801, showed weak off-target activity at micromolar concentrations on the cannabinoid receptor 1 (CNR1), 5-HT_{2A} receptor (HTR_{2A}), and opioid receptors (OPRM1, OPRD1).[6] Additionally, at concentrations significantly higher than its EC₅₀ for GPER (e.g., >1 μ M), G-1 has been reported to interact with microtubules, leading to GPER-independent effects on cell cycle and proliferation.[5][7]

GPER-Mediated Signaling Pathways

Activation of GPER by G-1 initiates a cascade of intracellular signaling events, which are distinct from the genomic pathways activated by nuclear estrogen receptors. The primary signaling axes are depicted below.





[Click to download full resolution via product page](#)

Need Custom Synthesis?

BenchChem offers custom synthesis for rare earth carbides and specific isotopic labeling.

Email: info@benchchem.com or [Request Quote Online](#).

References

- [1. benchchem.com \[benchchem.com\]](https://www.benchchem.com)
- [2. Expression of G protein estrogen receptor \(GPER\) on membrane of mouse oocytes during maturation - PMC \[pmc.ncbi.nlm.nih.gov\]](#)
- [3. What have we learned about GPER function in physiology and disease from knockout mice? - PMC \[pmc.ncbi.nlm.nih.gov\]](#)
- [4. BRET-based assay to monitor EGFR transactivation by the AT1R reveals Gq/11 protein-independent activation and AT1R-EGFR complexes - PubMed \[pubmed.ncbi.nlm.nih.gov\]](#)
- [5. researchgate.net \[researchgate.net\]](https://www.researchgate.net)
- [6. LNS8801: An Enantiomerically Pure Agonist of the G Protein–Coupled Estrogen Receptor Suitable for Clinical Development - PMC \[pmc.ncbi.nlm.nih.gov\]](#)
- [7. The G-Protein–Coupled Estrogen Receptor Agonist G-1 Inhibits Proliferation and Causes Apoptosis in Leukemia Cell Lines of T Lineage - PMC \[pmc.ncbi.nlm.nih.gov\]](#)
- To cite this document: BenchChem. [(3aS,4R,9bR)-G-1: A Comprehensive Technical Guide to Target Selectivity]. BenchChem, [2026]. [Online PDF]. Available at: [\[https://www.benchchem.com/product/b15606124/docs#3as-4r-9br-g-1-a-comprehensive-technical-guide-to-target-selectivity\]](https://www.benchchem.com/product/b15606124/docs#3as-4r-9br-g-1-a-comprehensive-technical-guide-to-target-selectivity)

Disclaimer & Data Validity:

The information provided in this document is for Research Use Only (RUO) and is strictly not intended for diagnostic or therapeutic procedures. While BenchChem strives to provide accurate protocols, we make no warranties, express or implied, regarding the fitness of this product for every specific experimental setup.

Technical Support: The protocols provided are for reference purposes. Unsure if this reagent suits your experiment?

Need Industrial/Bulk Grade? [Request Custom Synthesis Quote](#)

BenchChem

Our mission is to be the trusted global source of essential and advanced chemicals, empowering scientists and researchers to drive progress in science and industry.

Contact

Address: 3281 E Guasti Rd
Ontario, CA 91761, United States
Phone: (601) 213-4426
Email: info@benchchem.com

[Contact our Ph.D. Support Team for a compatibility check](#)