

# Technical Support Center: Optimizing PQA-18 Treatment Duration

**Author:** BenchChem Technical Support Team. **Date:** April 2026

## Compound of Interest

Compound Name: PQA-18  
Cat. No.: B15605610

[Get Quote](#)

Disclaimer: Information regarding a specific molecule designated "**PQA-18**," including its mechanism of action and established treatment protocols, is not publicly available. The following technical support center content is provided as a comprehensive template for a hypothetical novel anti-cancer agent, herein referred to as "**PQA-18**," to guide researchers in optimizing treatment duration for maximum efficacy. This guide is structured to address common challenges and questions that arise during preclinical drug development.

## Troubleshooting Guide

This section addresses specific issues that may be encountered during the experimental optimization of **PQA-18** treatment duration.

**Q1:** We are observing high cytotoxicity at our target concentration, even with short treatment durations. How can we mitigate this?

**A1:** High cytotoxicity can confound efficacy assessments. Consider the following troubleshooting steps:

- **Concentration Titration:** Perform a more granular concentration-response experiment at a fixed, short time point (e.g., 24 hours) to identify a more precise IC50 (half-maximal inhibitory

concentration). This will help determine if the current target concentration is too high.

- **Time-Course Experiment:** Shorten the initial treatment durations further. For example, if you are starting at 24 hours, try 6, 12, and 18-hour time points to see if a therapeutic window with less toxicity can be identified.
- **Washout Experiment:** Implement a "pulse-chase" or washout protocol. Treat the cells with **PQA-18** for a short duration (e.g., 4-8 hours), then replace the media with fresh, drug-free media and continue to assess cell viability and other endpoints at later time points (e.g., 24, 48, 72 hours). This can reveal if a short exposure is sufficient to induce the desired downstream effects without causing excessive acute toxicity.
- **Serum Concentration:** Evaluate the percentage of serum (e.g., FBS) in your cell culture media. Lower serum concentrations can sometimes increase the apparent potency and toxicity of a compound. Ensure your serum concentration is consistent across all experiments.

Q2: We are not observing a significant increase in efficacy when extending the treatment duration from 48 to 72 hours. Is a longer treatment always better?

A2: Not necessarily. A plateau in efficacy can indicate several possibilities:

- **Maximum Effect Reached:** The compound may have already achieved its maximum therapeutic effect at 48 hours. Continuing the treatment may not provide additional benefit and could increase the risk of off-target effects or toxicity.
- **Cell Cycle Arrest:** **PQA-18** might be inducing cell cycle arrest. Once cells are arrested, longer exposure to the drug may not lead to further cell death. Consider performing cell cycle analysis (e.g., via flow cytometry with propidium iodide staining) to investigate this.
- **Compound Stability:** The compound may not be stable in culture media for extended periods. Consider replenishing the media with fresh **PQA-18** at 48 hours to see if this enhances efficacy at 72 hours. You can also assess the stability of **PQA-18** under your experimental conditions using analytical methods like HPLC.
- **Resistance Mechanisms:** Cells may be upregulating resistance mechanisms in response to prolonged drug exposure.

Q3: Our results for **PQA-18** efficacy are inconsistent across experiments. What are the common sources of variability?

A3: Inconsistent results are a common challenge in drug discovery research. Key factors to control for include:

- **Cell Passage Number:** Use cells within a consistent and low passage number range. High passage numbers can lead to genetic drift and altered drug sensitivity.
- **Cell Seeding Density:** Ensure that the initial cell seeding density is consistent across all wells and experiments. Over- or under-confluent cells can respond differently to treatment.
- **Compound Preparation:** Prepare fresh stock solutions of **PQA-18** regularly and store them appropriately. Avoid repeated freeze-thaw cycles. Ensure the compound is fully dissolved in the vehicle (e.g., DMSO) before diluting it in culture media.
- **Assay Timing:** Perform assays at consistent time points post-treatment. For viability assays like MTT or CellTiter-Glo, ensure that the incubation times are precisely controlled.
- **Reagent Quality:** Use high-quality, validated reagents and ensure they are not expired.

## Frequently Asked Questions (FAQs)

Q1: What is the recommended starting point for determining the optimal treatment duration for **PQA-18**?

A1: A good starting point is to perform a time-course experiment alongside a concentration-response experiment. We recommend the following approach:

- **Initial Concentration-Response:** Treat your cancer cell line panel with a broad range of **PQA-18** concentrations (e.g., 0.01  $\mu\text{M}$  to 100  $\mu\text{M}$ ) for a standard duration, typically 72 hours. This will establish the IC50 value.
- **Time-Course at a Fixed Concentration:** Based on the IC50 value from the initial screen, select a relevant concentration (e.g., 1x, 5x, and 10x the IC50) and treat the cells for multiple durations (e.g., 24, 48, and 72 hours). This will reveal how the efficacy of **PQA-18** changes over time.

Q2: How does the mechanism of action of **PQA-18** influence the optimal treatment duration?

A2: The mechanism of action is a critical factor. For example:

- Apoptosis Inducers: If **PQA-18** induces apoptosis, a longer treatment duration (e.g., 48-72 hours) may be necessary to allow for the full activation of the apoptotic cascade.
- Cell Cycle Inhibitors: If **PQA-18** causes cell cycle arrest, a shorter duration that aligns with the length of the cell cycle of the target cells may be sufficient.
- Kinase Inhibitors: For compounds that target specific kinases, the duration of treatment required for efficacy will depend on the half-life of the target protein and the downstream signaling events.

Q3: Should the treatment duration be continuous, or is an intermittent dosing schedule worth exploring?

A3: An intermittent or "pulse" dosing schedule is worth investigating, particularly if continuous exposure leads to toxicity. This approach involves treating for a set duration, followed by a "drug holiday." This can be explored in vitro with washout experiments and is a key consideration for designing subsequent in vivo studies.

## Data Presentation

Table 1: Hypothetical Efficacy of **PQA-18** in A549 Lung Cancer Cells

Treatment Duration	Concentration ( $\mu\text{M}$ )	% Cell Viability (Mean $\pm$ SD)	% Apoptosis (Annexin V+) (Mean $\pm$ SD)
24 hours	0 (Vehicle)	100 $\pm$ 4.5	5.2 $\pm$ 1.1
1	85.2 $\pm$ 5.1	15.6 $\pm$ 2.3	
5	62.7 $\pm$ 4.8	35.8 $\pm$ 3.5	
10	45.1 $\pm$ 3.9	55.1 $\pm$ 4.2	
48 hours	0 (Vehicle)	100 $\pm$ 5.2	5.5 $\pm$ 1.3
1	68.4 $\pm$ 4.3	38.9 $\pm$ 3.1	
5	35.9 $\pm$ 3.7	65.2 $\pm$ 4.8	
10	15.3 $\pm$ 2.9	85.7 $\pm$ 5.5	
72 hours	0 (Vehicle)	100 $\pm$ 4.9	5.8 $\pm$ 1.4
1	65.8 $\pm$ 5.5	42.5 $\pm$ 3.8	
5	33.1 $\pm$ 4.1	68.9 $\pm$ 5.1	
10	12.5 $\pm$ 2.5	88.2 $\pm$ 6.1	

## Experimental Protocols

### 1. Cell Viability Assay (MTT Assay)

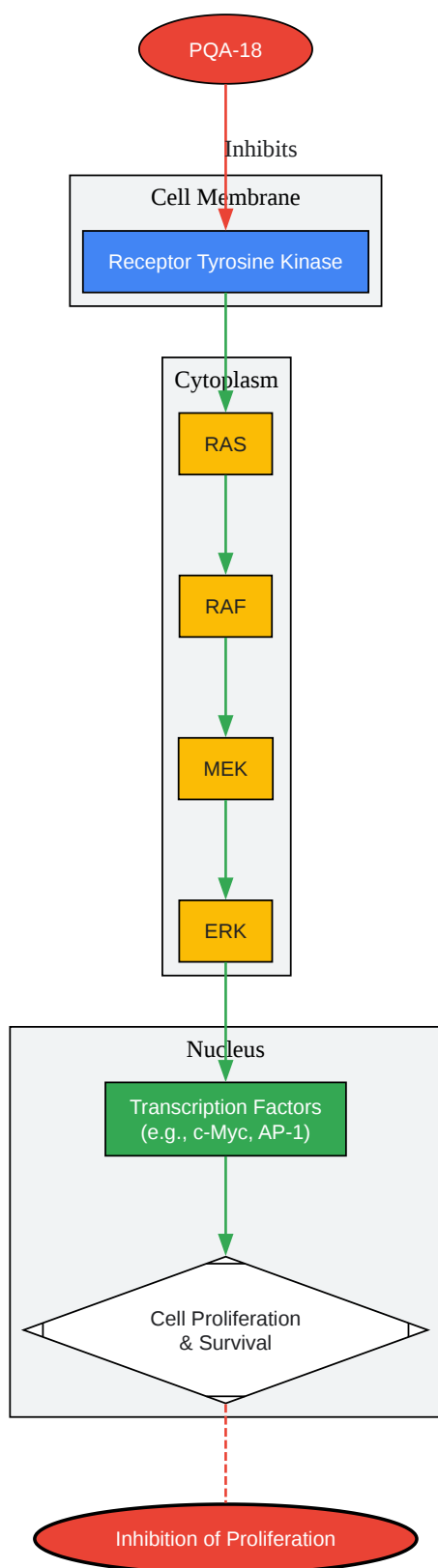
- Objective: To determine the effect of **PQA-18** on cell proliferation and viability.
- Methodology:
  - Seed cells in a 96-well plate at a density of 5,000-10,000 cells/well and allow them to adhere overnight.
  - Prepare serial dilutions of **PQA-18** in complete culture medium.
  - Remove the old medium from the cells and add 100  $\mu\text{L}$  of the **PQA-18** dilutions to the respective wells. Include vehicle-only control wells.

- Incubate the plate for the desired treatment duration (e.g., 24, 48, 72 hours) at 37°C and 5% CO<sub>2</sub>.
- Add 10 µL of MTT reagent (5 mg/mL in PBS) to each well and incubate for 4 hours at 37°C.
- Remove the medium and add 100 µL of DMSO to each well to dissolve the formazan crystals.
- Measure the absorbance at 570 nm using a microplate reader.
- Calculate cell viability as a percentage relative to the vehicle-treated control cells.

## 2. Apoptosis Assay (Annexin V/PI Staining)

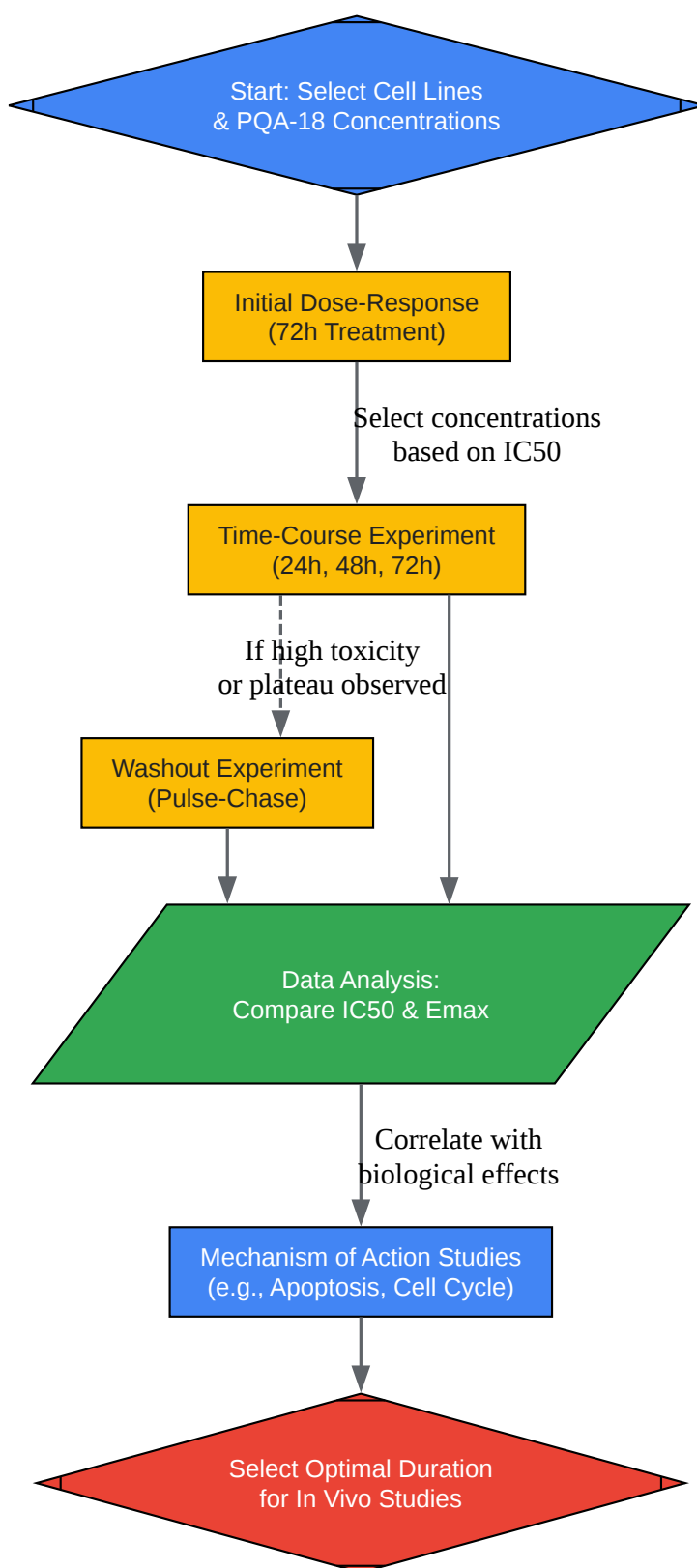
- Objective: To quantify the percentage of apoptotic cells following **PQA-18** treatment.
- Methodology:
  - Seed cells in a 6-well plate and treat with the desired concentrations of **PQA-18** for the specified duration.
  - Harvest the cells (including any floating cells in the supernatant) by trypsinization and centrifugation.
  - Wash the cells with cold PBS.
  - Resuspend the cell pellet in 1X Annexin V binding buffer.
  - Add FITC-conjugated Annexin V and Propidium Iodide (PI) to the cells according to the manufacturer's protocol.
  - Incubate the cells in the dark for 15 minutes at room temperature.
  - Analyze the samples by flow cytometry. Early apoptotic cells will be Annexin V positive and PI negative, while late apoptotic/necrotic cells will be positive for both.

## Visualizations



[Click to download full resolution via product page](#)

Caption: Hypothetical signaling pathway inhibited by **PQA-18**.



[Click to download full resolution via product page](#)

Caption: Workflow for optimizing **PQA-18** treatment duration.

- To cite this document: BenchChem. [Technical Support Center: Optimizing PQA-18 Treatment Duration]. BenchChem, [2026]. [Online PDF]. Available at: [<https://www.benchchem.com/product/b15605610/docs#technical-support-center-optimizing-pqa-18-treatment-duration>]

---

### Disclaimer & Data Validity:

The information provided in this document is for Research Use Only (RUO) and is strictly not intended for diagnostic or therapeutic procedures. While BenchChem strives to provide accurate protocols, we make no warranties, express or implied, regarding the fitness of this product for every specific experimental setup.

**Technical Support:** The protocols provided are for reference purposes. Unsure if this reagent suits your experiment?

**Need Industrial/Bulk Grade?** [Request Custom Synthesis Quote](#)

## BenchChem

Our mission is to be the trusted global source of essential and advanced chemicals, empowering scientists and researchers to drive progress in science and industry.

### Contact

Address: 3281 E Guasti Rd  
Ontario, CA 91761, United States  
Phone: (601) 213-4426  
Email: [info@benchchem.com](mailto:info@benchchem.com)

[Contact our Ph.D. Support Team for a compatibility check](#)