

Technical Support Center: Improving Reproducibility of TM-N1324 Studies

Author: BenchChem Technical Support Team. **Date:** April 2026

Compound of Interest

Compound Name: TM-N1324

Cat. No.: B15605796

[Get Quote](#)

This technical support center provides troubleshooting guides and frequently asked questions (FAQs) to assist researchers, scientists, and drug development professionals in navigating common challenges and improving the reproducibility of studies involving the GPR39 agonist, **TM-N1324**.

Troubleshooting Guides & FAQs

This section addresses specific issues users might encounter during their experiments with **TM-N1324**, presented in a question-and-answer format.

Issue 1: High Variability in In Vitro Potency (EC50) of **TM-N1324**

- Question: We are observing significant well-to-well and day-to-day variability in the EC50 values of **TM-N1324** in our cell-based assays. What are the potential causes and solutions?
- Answer: High variability in **TM-N1324** potency is a common issue that can often be traced back to several key factors. The most critical factor is the concentration of zinc (Zn^{2+}) in your assay medium, as **TM-N1324**'s potency is significantly enhanced in the presence of this ion. [\[1\]](#)[\[2\]](#)[\[3\]](#) Inconsistent zinc levels can lead to drastic shifts in the dose-response curve.

Troubleshooting Steps:

- **Standardize Zinc Concentration:** Ensure a consistent and optimized concentration of ZnCl₂ is added to your assay buffer for all experiments. The optimal concentration may need to be determined empirically for your specific cell line and assay, but a final concentration of 3.2 μM has been used in some in vivo studies.[4]
- **Chelators in Media:** Be aware of potential zinc chelators in your cell culture medium or buffers (e.g., EDTA) which can deplete available zinc and reduce **TM-N1324** potency. If possible, use chelator-free media or buffers.
- **Cell Passage Number:** Use cells within a consistent and low passage number range for all experiments. High passage numbers can lead to phenotypic drift and altered receptor expression or signaling.
- **Ligand Preparation:** Prepare fresh dilutions of **TM-N1324** for each experiment from a concentrated stock solution. Ensure the compound is fully dissolved. For in vivo studies, a common vehicle is a suspension in PEG200/Saline/EtOH.[4]
- **Assay Incubation Times:** Optimize and strictly adhere to incubation times. Prolonged or inconsistent incubation can lead to receptor desensitization or degradation of the compound.

Issue 2: Lack of Expected In Vivo Efficacy in Obesity Models

- **Question:** We are not observing the expected reduction in food intake or body weight in our high-fat diet (HFD)-induced obese mouse model upon oral administration of **TM-N1324**. What could be the reason?
- **Answer:** Several factors can contribute to a lack of in vivo efficacy with **TM-N1324** in obesity models. These range from the animal model itself to the experimental protocol.

Troubleshooting Steps:

- **Animal Strain:** Different mouse strains can exhibit varied responses to HFD and subsequent treatments. C57BL/6J mice are a commonly used strain for HFD-induced obesity models and have shown responsiveness to **TM-N1324**. [4][5]

- Diet Acclimatization: Ensure mice are properly acclimatized to the high-fat diet before initiating treatment. A period of at least 4 days of HFD feeding prior to dosing has been reported.[4]
- Dosing Regimen: The timing and frequency of dosing can be critical. For food intake studies, dosing is often performed shortly before the dark phase, when mice are most active and consume the majority of their food.[4] A daily oral gavage of 30 mg/kg has been shown to be effective.[4]
- Vehicle and Compound Stability: Ensure the vehicle used for oral administration is appropriate and that **TM-N1324** is stable in the formulation. As mentioned, a PEG200/Saline/EtOH mixture with a small amount of ZnCl₂ has been used successfully.[4] Prepare the dosing solution fresh daily if stability is a concern.
- Stress-Free Environment: House animals in a stress-free environment, as stress can influence feeding behavior and metabolic parameters.

Issue 3: Inconsistent GLP-1 Secretion Results

- Question: Our in vitro GLP-1 secretion assays using intestinal organoids or cell lines are yielding inconsistent results with **TM-N1324** treatment. How can we improve the reproducibility?
- Answer: Measuring hormone secretion can be a sensitive assay with several potential sources of variability.

Troubleshooting Steps:

- Cell/Organoid Health: Ensure the health and viability of your intestinal cell lines (e.g., STC-1, GLUTag) or organoids.[6] Stressed or unhealthy cells will not respond optimally.
- DPP-IV Inhibition: GLP-1 is rapidly degraded by the enzyme dipeptidyl peptidase-IV (DPP-IV). It is crucial to include a DPP-IV inhibitor in your collection buffer to prevent GLP-1 degradation and obtain accurate measurements.[4]
- Sample Handling: Collect and process samples quickly and on ice to minimize hormone degradation. Centrifuge samples to remove cellular debris before storage or analysis.

- Assay Normalization: Normalize GLP-1 secretion to the total protein or DNA content of each well to account for variations in cell number.[\[4\]](#)
- Assay Kit Quality: Use a high-quality, validated GLP-1 ELISA or multiplex assay kit and follow the manufacturer's instructions carefully.

Data Presentation

Table 1: In Vitro Potency of **TM-N1324**

Cell Line	Assay Type	Condition	EC50 (nM)	Reference
HEK293 (human GPR39)	Inositol Phosphate Accumulation	Without Zn ²⁺	280	[1]
HEK293 (human GPR39)	Inositol Phosphate Accumulation	With Zn ²⁺	9	[1]
Murine GPR39	Inositol Phosphate Accumulation	Without Zn ²⁺	180	[1]
Murine GPR39	Inositol Phosphate Accumulation	With Zn ²⁺	5	[1]
COS-7 (human GPR39)	cAMP Accumulation	With Zn ²⁺	17	

Table 2: In Vivo Efficacy of **TM-N1324** in a High-Fat Diet (HFD) Mouse Model

Parameter	Treatment Group	Dose	Observation	Reference
Food Intake	HFD-fed C57BL/6J mice	30 mg/kg (oral gavage)	Acute reduction in food intake	[4]
Body Weight	HFD-fed C57BL/6J mice	30 mg/kg (daily for 6 days)	Significant decrease in body weight	[4]

Experimental Protocols

Protocol 1: In Vitro GLP-1 Secretion Assay in Intestinal Organoids

1. Materials:

- Murine or human intestinal organoids
- Matrigel
- 96-well plate
- DMEM/F12 medium supplemented with L-glutamine and HEPES
- **TM-N1324** stock solution (in DMSO)
- Vehicle (0.1% DMSO in DMEM/F12)
- DPP-IV inhibitor
- DNA Quantitation Kit
- GLP-1 ELISA Kit

2. Method:

- Plate 15 μ L of organoid suspension in Matrigel into each well of a 96-well plate.

- After 48 hours of culture, wash the organoids with DMEM/F12 supplemented with L-glutamine and HEPES.
- Incubate the organoids in 50 μ L of the same medium containing either **TM-N1324** at the desired concentrations or vehicle (0.1% DMSO) for 2 hours at 37°C.
- Collect the medium from each well and add a DPP-IV inhibitor.
- Centrifuge the collected medium at 300 x g for 2 minutes at 4°C to pellet any debris.
- Transfer the supernatant to fresh tubes and store at -80°C until analysis.
- Measure the GLP-1 concentration in the supernatant using a validated GLP-1 ELISA kit according to the manufacturer's instructions.
- After collecting the medium, measure the DNA content in each well using a DNA Quantitation Kit.
- Normalize the measured GLP-1 concentration to the DNA content of the corresponding well.

Protocol 2: In Vivo Study of **TM-N1324** in a High-Fat Diet (HFD) Mouse Model

1. Animals and Diet:

- Male C57BL/6J mice (8-10 weeks old)
- High-fat diet (e.g., 60% kcal from fat)
- Standard chow

2. Acclimatization:

- House the mice in a temperature and humidity-controlled environment with a 12-hour light/dark cycle.
- Provide ad libitum access to water.

- Feed the mice a high-fat diet for at least 4 days prior to the start of the experiment to induce an obese phenotype.

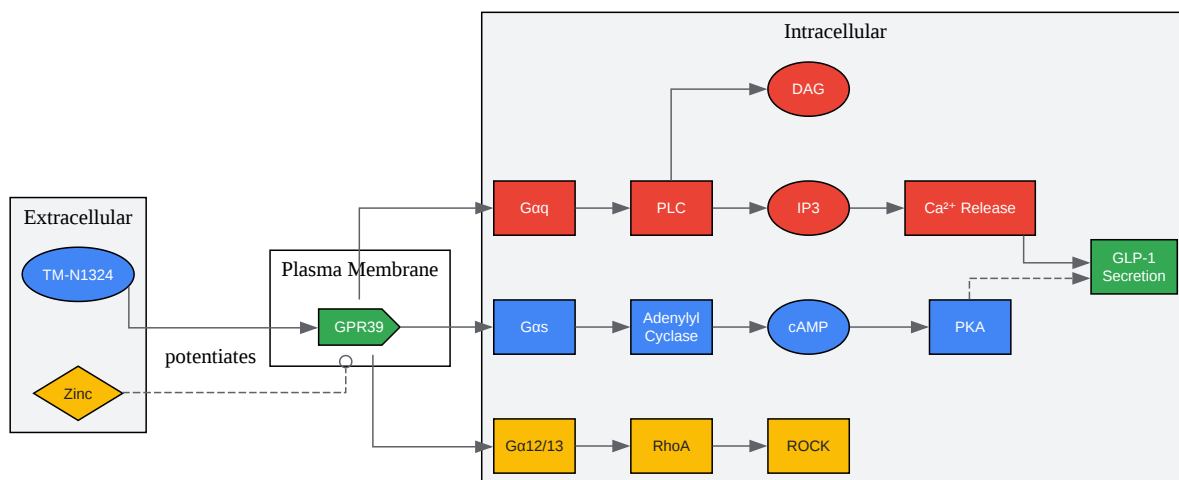
3. Dosing:

- Prepare the dosing solution of **TM-N1324** (30 mg/kg) in a vehicle of PEG200/Saline/EtOH (40/57.5/2.5) with a final concentration of 3.2 μM ZnCl₂.
- Administer the **TM-N1324** solution or vehicle via oral gavage once daily, 30 minutes before the onset of the dark cycle.

4. Measurements:

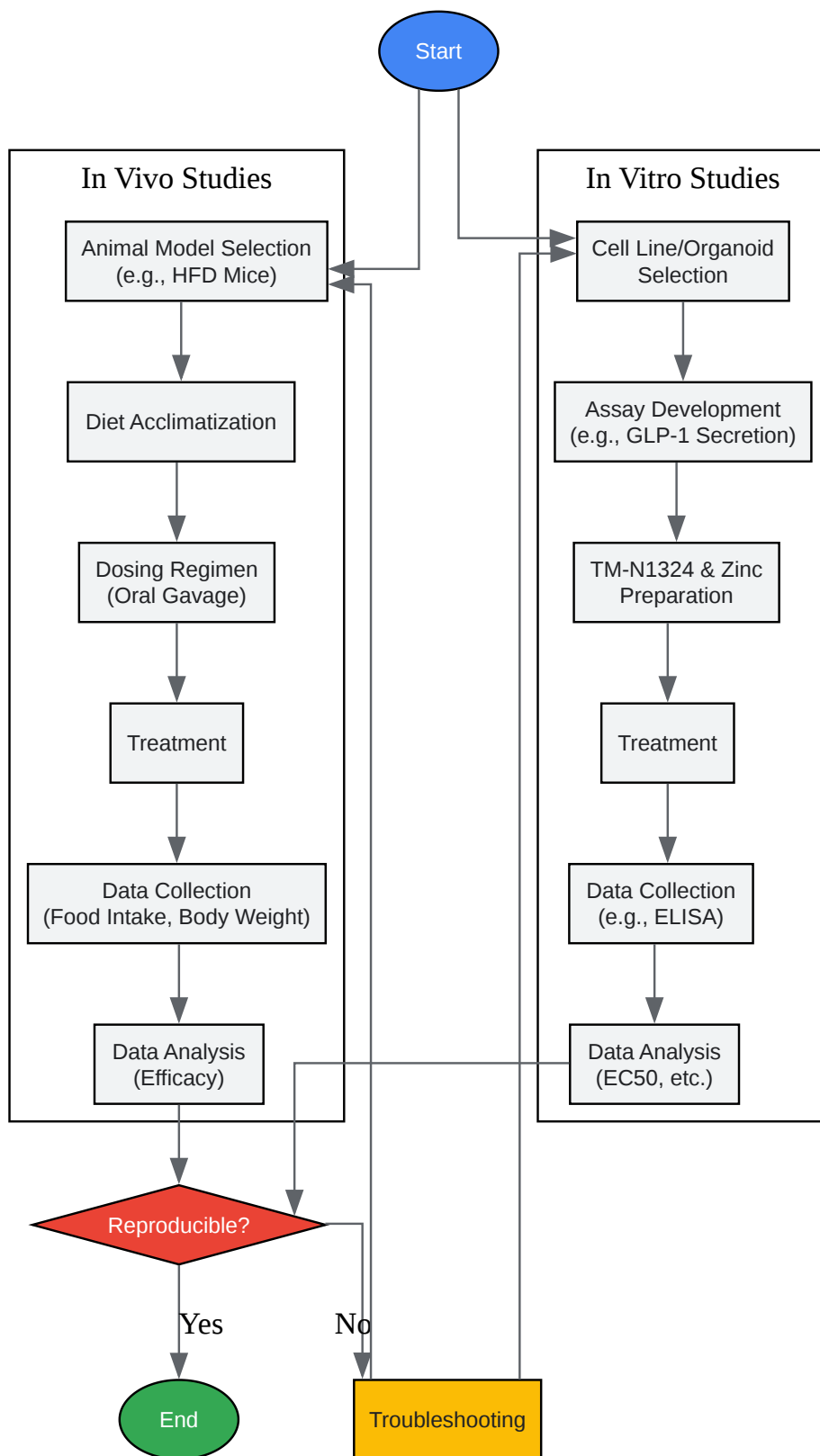
- Monitor food intake and body weight daily.
- For more detailed metabolic studies, calorimetric cages can be used to measure energy expenditure and the respiratory exchange ratio (RER).
- At the end of the study, collect blood samples for analysis of plasma parameters such as GLP-1, insulin, and glucose. Remember to add a DPP-IV inhibitor to blood samples intended for GLP-1 measurement.

Mandatory Visualization



[Click to download full resolution via product page](#)

Caption: GPR39 Signaling Pathway Activated by **TM-N1324**.



[Click to download full resolution via product page](#)

Caption: General Experimental Workflow for **TM-N1324** Studies.

Need Custom Synthesis?

BenchChem offers custom synthesis for rare earth carbides and specific isotopic labeling.

Email: info@benchchem.com or [Request Quote Online](#).

References

- [1. medchemexpress.com \[medchemexpress.com\]](https://www.medchemexpress.com)
- [2. TM-N1324 | GPR39 agonist | Probechem Biochemicals \[probechem.com\]](#)
- [3. The Zinc-Sensing Receptor GPR39 in Physiology and as a Pharmacological Target - PMC \[pmc.ncbi.nlm.nih.gov\]](#)
- [4. Selective release of gastrointestinal hormones induced by an orally active GPR39 agonist - PMC \[pmc.ncbi.nlm.nih.gov\]](#)
- [5. High fat diet induced obesity model using four strains of mice: Kunming, C57BL/6, BALB/c and ICR - PMC \[pmc.ncbi.nlm.nih.gov\]](#)
- [6. Agonists at GPR119 mediate secretion of GLP-1 from mouse enteroendocrine cells through glucose-independent pathways - PMC \[pmc.ncbi.nlm.nih.gov\]](#)
- To cite this document: BenchChem. [Technical Support Center: Improving Reproducibility of TM-N1324 Studies]. BenchChem, [2026]. [Online PDF]. Available at: [\[https://www.benchchem.com/product/b15605796/docs#technical-support-center-improving-reproducibility-of-tm-n1324-studies\]](https://www.benchchem.com/product/b15605796/docs#technical-support-center-improving-reproducibility-of-tm-n1324-studies)

Disclaimer & Data Validity:

The information provided in this document is for Research Use Only (RUO) and is strictly not intended for diagnostic or therapeutic procedures. While BenchChem strives to provide accurate protocols, we make no warranties, express or implied, regarding the fitness of this product for every specific experimental setup.

Technical Support: The protocols provided are for reference purposes. Unsure if this reagent suits your experiment?

Need Industrial/Bulk Grade? [Request Custom Synthesis Quote](#)

BenchChem

Our mission is to be the trusted global source of essential and advanced chemicals, empowering scientists and researchers to drive progress in science and industry.

Contact

Address: 3281 E Guasti Rd
Ontario, CA 91761, United States
Phone: (601) 213-4426
Email: info@benchchem.com

[Contact our Ph.D. Support Team for a compatibility check](#)