

Potential off-target effects of PMX-53 to consider.

Author: BenchChem Technical Support Team. **Date:** April 2026

Compound of Interest

Compound Name: Pmx-53
CAS No.: 219639-75-5
Cat. No.: B15604090

[Get Quote](#)

PMX-53 Technical Support Center

This technical support center provides researchers, scientists, and drug development professionals with essential information regarding the potential off-target effects of **PMX-53**. The following troubleshooting guides and frequently asked questions (FAQs) are designed to address specific issues that may arise during experimentation.

Frequently Asked Questions (FAQs)

Q1: What is the primary target of **PMX-53** and its mechanism of action?

PMX-53 is a potent and selective antagonist of the complement C5a receptor 1 (C5aR1), also known as CD88.[1][2][3] It is a cyclic hexapeptide that acts as a noncompetitive inhibitor of C5aR1.[4][5] By binding to C5aR1, **PMX-53** blocks the pro-inflammatory effects induced by its natural ligand, C5a.[3] This inhibition has shown therapeutic potential in various animal models of inflammatory diseases.[3][6]

Q2: I'm observing mast cell degranulation in my experiments with **PMX-53**. Is this a known off-target effect?

Yes, this is a well-documented off-target effect. While **PMX-53** is a potent antagonist of C5aR1, at higher concentrations, it acts as an agonist for the Mas-related gene 2 (MrgX2) receptor.[1][2][7][8] Activation of MrgX2 on mast cells leads to their degranulation and the release of inflammatory mediators.[1][7]

Q3: At what concentration does **PMX-53** start to induce mast cell degranulation?

PMX-53 typically inhibits C5a-induced effects at nanomolar concentrations (IC50 ≈ 20 nM for C5aR1).[1][2][6] However, agonistic effects on MrgX2 and subsequent mast cell degranulation are generally observed at concentrations of 30 nM and higher.[1][3] Therefore, it is crucial to carefully select the concentration range in your experiments to distinguish between C5aR1 antagonism and MrgX2 agonism.

Q4: Does **PMX-53** interact with the second C5a receptor, C5aR2 (C5L2)?

No, studies have shown that **PMX-53** is selective for C5aR1 and does not bind to C5aR2 (C5L2).[1][9] It also does not bind to the C3a receptor.[1]

Q5: Are there species-specific differences in **PMX-53** activity to consider?

PMX-53 has been shown to be effective across a wide range of species, which makes it a valuable research tool.[10] However, pharmacokinetic profiles can vary between species. For instance, in rats, oral administration of **PMX-53** (3 mg/kg) resulted in peak blood levels of approximately 0.3 μM within 20 minutes, with a plasma elimination half-life of about 70 minutes.[1] In mice, the elimination half-life was found to be around 20 minutes.[4][5][11] It is always advisable to perform pilot studies to determine the optimal dosage and timing for your specific animal model.

Troubleshooting Guide

Observed Issue	Potential Cause	Recommended Action
Unexpected inflammatory response or histamine release.	The concentration of PMX-53 used may be high enough to activate MrgX2 on mast cells, leading to degranulation.[1][7]	Perform a dose-response curve to determine the optimal concentration that provides C5aR1 antagonism without significant MrgX2 agonism. Consider using a lower concentration range (e.g., below 30 nM).
Inconsistent or lack of C5aR1 antagonism.	Poor bioavailability or rapid metabolism of PMX-53 in the experimental model.[3][4][5]	Review the administration route and dosage. Pharmacokinetic studies in mice have shown that subcutaneous administration of a related compound, PMX205, resulted in higher bioavailability and prolonged plasma exposure compared to oral administration.[4][5][11] Consider alternative dosing strategies or a different C5aR1 antagonist if issues persist.
Variability in results between different cell types.	Differential expression levels of C5aR1 and MrgX2 on the cell types being studied.	Characterize the expression of both C5aR1 and MrgX2 on your cells of interest using techniques like flow cytometry or qPCR to better interpret your results.

Quantitative Data Summary

The following table summarizes the key quantitative data related to the on-target and off-target effects of **PMX-53**.

Parameter	Target/Effect	Value	Species/Cell Type
IC50	C5a Receptor (C5aR1) Antagonism	20 nM	Human
IC50	C5a-induced Neutrophil Myeloperoxidase Release	22 nM	Human Neutrophils
IC50	C5a-induced Chemotaxis	75 nM	Human Neutrophils
Agonistic Activity	MrgX2-mediated Mast Cell Degranulation	≥ 30 nM	Human Mast Cells (LAD2), RBL-2H3 cells expressing MrgX2
Kd	Binding to C5aR1	30 nM	Mouse Neutrophils

Key Experimental Protocols

Calcium Mobilization Assay to Assess C5aR1

Antagonism

This protocol is used to determine the ability of **PMX-53** to inhibit C5a-induced intracellular calcium mobilization.

- Cell Preparation: Culture cells expressing C5aR1 (e.g., HMC-1 cells) to the desired confluency.
- Dye Loading: Load the cells with a calcium-sensitive fluorescent dye (e.g., Indo-1 AM) according to the manufacturer's instructions.
- **PMX-53** Pre-treatment: Pre-incubate the dye-loaded cells with varying concentrations of **PMX-53** (or vehicle control) for a specified period (e.g., 15-30 minutes).
- C5a Stimulation: Establish a baseline fluorescence reading and then stimulate the cells with a known concentration of C5a (e.g., 10 nM).

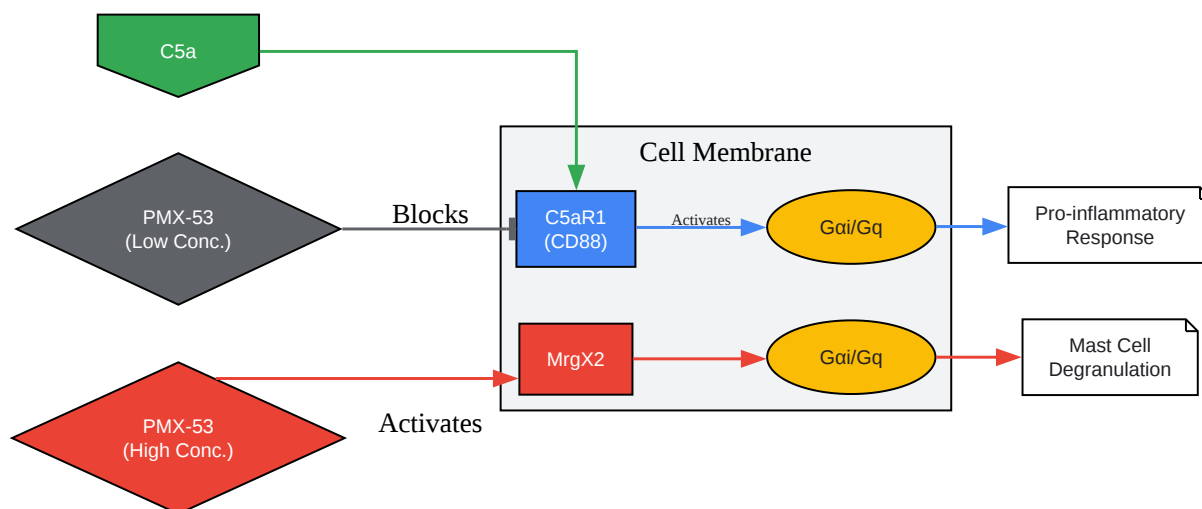
- **Data Acquisition:** Continuously measure the intracellular calcium levels by monitoring the fluorescence intensity using a fluorometer or a fluorescence microscope.
- **Analysis:** The inhibitory effect of **PMX-53** is determined by comparing the C5a-induced calcium response in **PMX-53**-treated cells to the vehicle-treated control.

Mast Cell Degranulation Assay (β -Hexosaminidase Release)

This protocol assesses the agonistic effect of **PMX-53** on mast cells via MrgX2 activation.

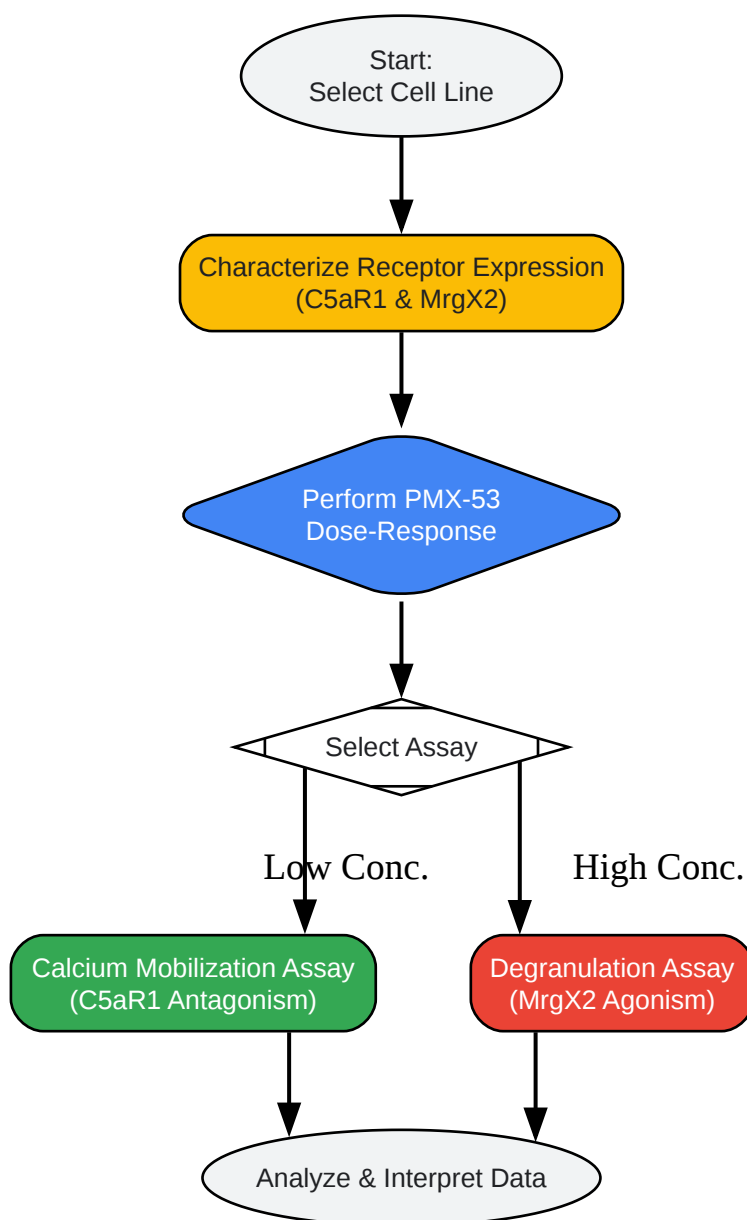
- **Cell Culture:** Culture mast cells known to express MrgX2 (e.g., LAD2 cells or RBL-2H3 cells stably expressing MrgX2).^[7]
- **Stimulation:** Stimulate the cells with varying concentrations of **PMX-53** for a defined period (e.g., 30 minutes). Include a positive control for degranulation (e.g., substance P for MrgX2-expressing cells) and a negative (vehicle) control.
- **Supernatant Collection:** After stimulation, centrifuge the cell suspension to pellet the cells. Carefully collect the supernatant.
- **β -Hexosaminidase Assay:**
 - Lyse the cell pellet to measure the total cellular β -hexosaminidase content.
 - Incubate aliquots of the supernatant and the cell lysate with a substrate for β -hexosaminidase (e.g., p-nitrophenyl-N-acetyl- β -D-glucosaminide).
 - Stop the reaction and measure the absorbance at the appropriate wavelength.
- **Calculation:** Express the degranulation as the percentage of β -hexosaminidase released into the supernatant relative to the total cellular content.

Visualizations



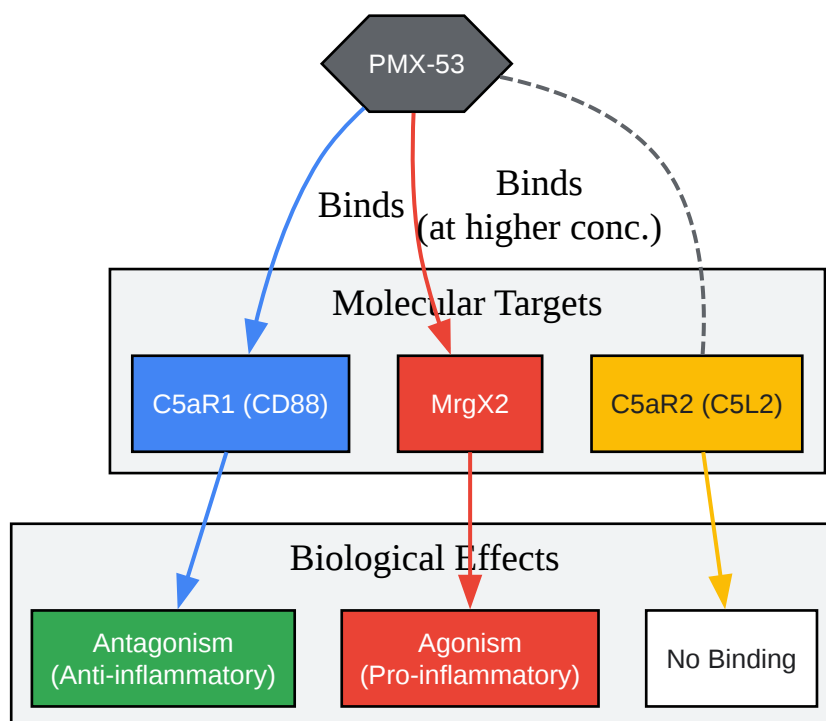
[Click to download full resolution via product page](#)

Caption: **PMX-53's** dual on-target and off-target signaling pathways.



[Click to download full resolution via product page](#)

Caption: Workflow for assessing **PMX-53**'s on- and off-target effects.



[Click to download full resolution via product page](#)

Caption: Logical relationship of **PMX-53**'s known molecular interactions.

Need Custom Synthesis?

BenchChem offers custom synthesis for rare earth carbides and specific isotopic labeling.

Email: info@benchchem.com or [Request Quote Online](#).

References

- 1. [medchemexpress.com](https://www.medchemexpress.com) [[medchemexpress.com](https://www.medchemexpress.com)]
- 2. [PMX 53 | Complement | Tocris Bioscience](https://www.tocris.com) [[tocris.com](https://www.tocris.com)]
- 3. [Function of PMX-53 as an antagonists - Creative Peptides](https://www.creative-peptides.com) [[creative-peptides.com](https://www.creative-peptides.com)]
- 4. [Preclinical Pharmacokinetics of Complement C5a Receptor Antagonists PMX53 and PMX205 in Mice - PMC](https://pubmed.ncbi.nlm.nih.gov) [[pmc.ncbi.nlm.nih.gov](https://pubmed.ncbi.nlm.nih.gov)]
- 5. [UQ eSpace](https://espace.library.uq.edu.au) [espace.library.uq.edu.au]

- [6. In Vivo Pharmacodynamic Method to Assess Complement C5a Receptor Antagonist Efficacy - PMC \[pmc.ncbi.nlm.nih.gov\]](#)
- [7. PMX-53 as a Dual CD88 Antagonist and an Agonist for Mas-Related Gene 2 \(MrgX2\) in Human Mast Cells - PMC \[pmc.ncbi.nlm.nih.gov\]](#)
- [8. selleckchem.com \[selleckchem.com\]](#)
- [9. pubs.acs.org \[pubs.acs.org\]](#)
- [10. Insights into the mechanism of C5aR inhibition by PMX53 via implicit solvent molecular dynamics simulations and docking - PMC \[pmc.ncbi.nlm.nih.gov\]](#)
- [11. pubs.acs.org \[pubs.acs.org\]](#)
- To cite this document: BenchChem. [Potential off-target effects of PMX-53 to consider.]. BenchChem, [2026]. [Online PDF]. Available at: [\[https://www.benchchem.com/product/b15604090/docs#potential-off-target-effects-of-pmx-53-to-consider\]](https://www.benchchem.com/product/b15604090/docs#potential-off-target-effects-of-pmx-53-to-consider)

Disclaimer & Data Validity:

The information provided in this document is for Research Use Only (RUO) and is strictly not intended for diagnostic or therapeutic procedures. While BenchChem strives to provide accurate protocols, we make no warranties, express or implied, regarding the fitness of this product for every specific experimental setup.

Technical Support: The protocols provided are for reference purposes. Unsure if this reagent suits your experiment?

Need Industrial/Bulk Grade? [Request Custom Synthesis Quote](#)

BenchChem

Our mission is to be the trusted global source of essential and advanced chemicals, empowering scientists and researchers to drive progress in science and industry.

Contact

Address: 3281 E Guasti Rd
Ontario, CA 91761, United States
Phone: (601) 213-4426
Email: info@benchchem.com

Contact our Ph.D. Support Team for a compatibility check